

ARX-7235-AC-PD-T

Industrial Outdoor IP67 Metal Housing IEEE 802.11a/b/g/n/ac Wireless Access Point/Client/Bridge/Repeater/Router with PoE PD; EOT: -40°C to 70°C



Features

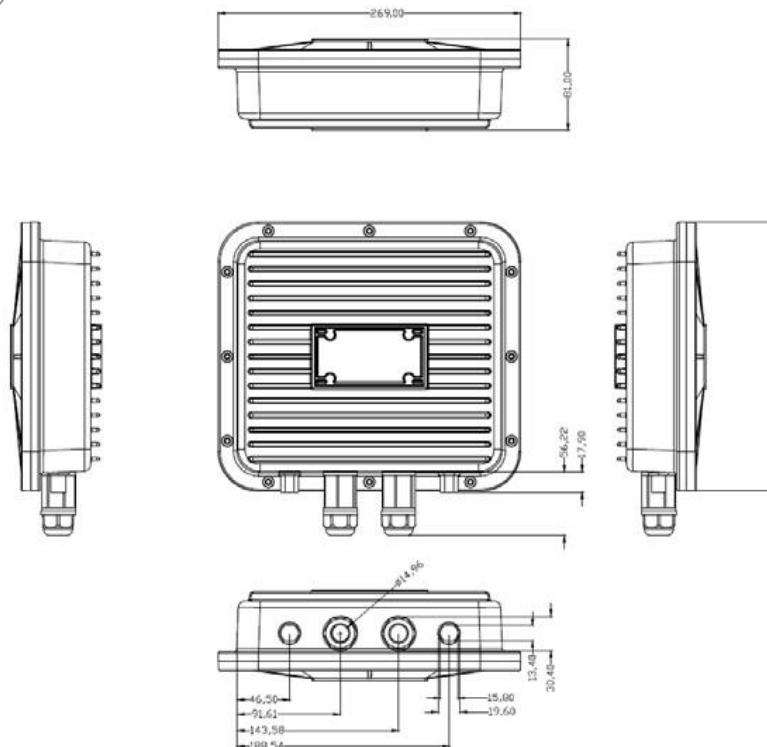
- ▶ High Speed WLAN Supports Up to 867Mbps
- ▶ Dual Band (2.4GHz/5GHz concurrent)
- ▶ Industrial MIMO Wireless Solution (Dual 2Tx/2Rx)
- ▶ Support IEEE 802.11a/b/g/n/ac
- ▶ PD (Powered Device) IEEE 802.3af/at Compliant
- ▶ Support Ethernet Gigabit WAN/LAN Port
- ▶ Qualcomm IPQ4029 SoC
- ▶ Tx Power 25dBm for 2.4GHz/5GHz
- ▶ WPA, WPA2, WPA3, WEP, TKIP, AES
- ▶ IP67 Metal Housing
- ▶ Pole and Wall Mountable
- ▶ Operating Temperature Range: -40°C to 70°C
- ▶ 5-Year Warranty

INTRODUCTION

Antaira Technologies' ARX-7235-AC-PD-T is designed for industrial and enterprise outdoor wireless access applications. Embedded with the Qualcomm IPQ4029 SoC chipset, it boasts network robustness, stability, and wider network coverage. Based on IEEE 802.11a/b/g/n/ac, the access point supports high-speed data transmission of up to 867Mbps.

The ARX-7235-AC-PD-T is capable of operating in different modes, which makes it suitable for a wide variety of wireless applications including long-distance deployments. With the extended operating temperature range of -40°C to 70°C and the metal housing IP67 rated, this wireless access point is built for outdoor applications to withstand extreme weather conditions and temperatures.

DIMENSIONS



SPECIFICATIONS

Technology		Power Requirement	
Standards	IEEE 802.11a/b/g/n/ac Wireless LAN	Input Voltage	IEEE 802.3at PoE (48~56VDC)
	IEEE 802.3 10Base-T Ethernet	System Power Consumption	4.2 Watts
	IEEE 802.3u 100Base-TX Fast Ethernet	Environmental Limits	
	IEEE 802.3ab 1000Base-T Gigabit Ethernet	Operating Temperature	-40°C to 70°C
	IEEE 802.3af/at Power over Ethernet	Storage Temperature	-40°C to 80°C
WLAN Operation Mode	AP/Client/Bridge/Repeater/Router	Ambient Relative Humidity	5% to 95%, (non-condensing)
Protocol	IP, TCP, UDP, ARP, BOOTP, ICMP, HTTP, HTTPS, DNS Proxy, NTP, SNTP, Dynamic DNS, SMTP, SNMP	Regulatory Approvals	
Encryption Security	WPA, WPA2, WPA3, WEP, TKIP, AES, RADIUS, 802.1x/EAP	EMI	FCC Part 15 Subpart B CE EN55032
Interface		EMS	CE EN55024 IEC61000-4-2,3,4,5,6,8,11
Ethernet Port	WAN: 10/100/1000Tx LAN (PoE PD): 10/100/1000Tx	Green	RoHS Compliant
WLAN	Dual Band 2.4GHz/5GHz concurrent	Certifications	FCC, CE
Antenna	2*External N-Type Antennas: 5dBi for 2.4GHz, 5dBi for 5GHz (MIMO support, Dual 2Tx/2Rx)	Warranty	5 Years
Frequency Range			
IEEE 802.11b/g/n (2.4GHz)	2.402G~2.482GHz		
IEEE 802.11a/n/ac (5GHz)	4.920G~5.920GHz		
Mechanical Characteristics			
Housing	Metal, IP67 rated		
Dimensions	269 x 81 x 239 mm (W x H x D)		
Weight	Unit: 5.82 lbs. Shipping: 7.729 lbs.		
Mounting	Pole mounting, Wall mounting		

ORDERING INFO

ARX-7235-AC-PD-T	Industrial Outdoor IP67 Metal Housing IEEE 802.11a/b/g/n/ac Wireless Access Point/Client/Bridge/Repeater/Router with PoE PD; EOT: -40°C to 70°C
-------------------------	---