

## AVD85B-48S12

**85 Watts**

**Sixteenth-brick Converter**

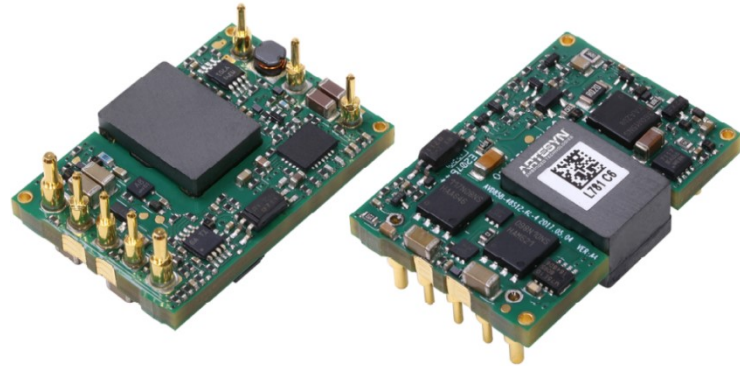
**Total Power:** 85 Watts  
**Input Voltage:** 36 to 75 Vdc  
**# of Outputs:** Single

### Special Features

- Delivering up to 7.1A output current
- Ultra-high efficiency 93% typ. at full load
- Wide input range: 36V ~ 75V
- Excellent thermal performance
- No minimum load requirement
- Basic isolation
- High power density
- Low output noise
- RoHS 6 compliant
- Startup Pre-bias
- Remote control function
- Remote output sense
- Trim function: 80% ~ 110%
- Input under voltage lockout
- Output over current protection
- Output short protection
- Output over voltage protection
- Over temperature protection
- Industry standard sixteenth-brick pin-out outline
- SMT or through-hole option

### Safety

IEC/EN/UL/CSA 60950  
CE Mark  
UL/TUV  
Materials meet UL94, V-0  
flammability rating  
EN55032 ClassA with external  
filter



## Product Descriptions

The AVD85B-48S12 is a single output DC/DC converter with standard sixteenth-brick outline and pin configuration. It delivers up to 7.1A output current with 12V output voltage. Above 93% ultra-high efficiency and excellent thermal performance make it an ideal choice to supply power in telecom and datacom.

## Applications

Telecom/ Datacom

## Model Numbers

| Standard         | Output Voltage | Output Current | Structure  | Remote ON/OFF logic | RoHS Status |
|------------------|----------------|----------------|------------|---------------------|-------------|
| AVD85B-48S12B-6L | 12Vdc          | 7.1A           | Baseplate  | Negative            | R6          |
| AVD85B-48S12-6L  | 12Vdc          | 7.1A           | Open-frame | Negative            | R6          |
| AVD85B-48S12TL   | 12Vdc          | 7.1A           | Open-frame | Negative            | R6          |

## Ordering information

|        |   |    |   |    |   |   |   |   |   |
|--------|---|----|---|----|---|---|---|---|---|
| AVD85B | - | 48 | S | 12 | P | B | - | 6 | L |
| ①      |   | ②  | ③ | ④  | ⑤ | ⑥ | ⑦ | ⑧ | ⑨ |

|   |                      |   |
|---|----------------------|---|
| ① | Model series         | AVD: high efficiency sixteenth brick series, 85: output power 85W                                 |
| ② | Input voltage        | 48: 36V ~ 75V input range, rated input voltage 48V  |
| ③ | Output number        | S: single output  |
| ④ | Rated output voltage | 12: 12V output  |
| ⑤ | Remote ON/OFF logic  | Default: negative logic; P: positive logic  |
| ⑥ | Baseplate            | B: with baseplate; default: open frame  |
| ⑦ | -                    | Need "-" for through-hole unit, to separate the data of voltage and pin length, omit for SMT unit |
| ⑧ | Pin length           | T: SMT; 6: 3.8mm ± 0.25mm pin length  |
| ⑨ | RoHS status          | Y: RoHS, R5; L: RoHS, R6  |

## Options

None

## Electrical Specifications

### Absolute Maximum Ratings

Stress in excess of those listed in the “Absolute Maximum Ratings” may cause permanent damage to the power supply. These are stress ratings only and functional operation of the unit is not implied at these or any other conditions above those given in the operational sections of this TRN. Exposure to any absolute maximum rated condition for extended periods may adversely affect the power supply’s reliability.

Table 1. Absolute Maximum Ratings:

| Parameter  | Model | Symbol      | Min  | Typ | Max  | Unit |
|--|-------|-------------|------|-----|------|------|
| Input Voltage<br>Operating -Continuous<br>Non-operating -100mS | All   | $V_{IN,DC}$ | -    | -   | 80   | Vdc  |
|  | All   |             | -    | -   | 100  | Vdc  |
| Ambient Operating Temperature                                  | All   | $T_A$       | -40  | -   | +85  | °C   |
| Isolation Voltage <sup>1</sup><br>Input to output              | All   |             | -    | -   | 2250 | Vdc  |
|  |       |             |      |     |      |      |
| Storage Temperature  | All   | $T_{STG}$   | -55  | -   | +125 | °C   |
| Voltage at remote ON/OFF pin                                   | All   |             | -0.3 | -   | 12   | Vdc  |
| Humidity (non-condensing)<br>Operating<br>Non-operating        | All   |             | -    | -   | 95   | %    |
|  | All   |             | -    | -   | 95   | %    |

Note 1 - 1mA for 60s, slew rate of 1500V/10s

## Input Specifications

Table 2. Input Specifications:

| Parameter                              | Conditions <sup>1</sup>                      | Symbol       | Min | Typ          | Max | Unit |
|--|--|--------------|-----|--------------|-----|------|
| Operating Input Voltage, DC            | All  | $V_{IN,DC}$  | 36  | 48           | 75  | Vdc  |
| Turn-on Voltage Threshold              | $I_O = I_{O,max}$                            | $V_{IN,ON}$  | 31  | -            | 36  | Vdc  |
| Turn-off Voltage Threshold             | $I_O = I_{O,max}$                            | $V_{IN,OFF}$ | 30  | -            | 35  | Vdc  |
| Lockout Voltage Hysteresis             | $I_O = I_{O,max}$                            |              | 1   | -            | 3   | V    |
| Maximum Input Current                  | $I_O = I_{O,max}$<br>$V_{IN,DC} = 36V_{DC}$  | $I_{IN,max}$ | -   | -            | 3.5 | A    |
| Recommended Input Fuse                 | Fast blow external fuse recommended          |              | -   | -            | 5   | A    |
| Recommended External Input Capacitance | Low ESR capacitor recommended                | $C_{IN}$     | 100 | -            | -   | uF   |
| Input Reflected Ripple Current         | Through 12uH inductor                        | $I_{IN,typ}$ | -   | 25           | -   | mA   |
| Operating Efficiency                   | $I_O = I_{O,max}$<br>$I_O = 50% * I_{O,max}$ | $\eta$       | -   | 93.3<br>90.5 | -   | %    |

Note 1 -  $T_a = 25\text{ }^\circ\text{C}$ , airflow rate = 400 LFM,  $V_{in} = 48\text{Vdc}$ , nominal  $V_{out}$  unless otherwise noted.

## Output Specifications

Table 3. Output Specifications:

| Parameter                                      | Conditions <sup>1</sup>   | Symbol   | Min       | Typ   | Max   | Unit           |    |
|--|---|--|-----------|-------|-------|----------------|----|
| Factory Set Voltage                            | $V_{IN,DC} = 48V_{DC}$<br>$I_O = 50\% * I_{O,max}$  | $V_O$  | 11.88     | 12    | 12.12 | Vdc            |    |
| Output Voltage Line Regulation                 | All   | $\pm\%V_O$   | -         | 0.063 | -     | %              |    |
|  |   | $\pm V_O$  | -         | 7.5   | -     | mV             |    |
| Output Voltage Load Regulation                 | All   | $\pm\%V_O$   | -         | 0.063 | -     | %              |    |
|  |   | $\pm V_O$  | -         | 7.5   | -     | mV             |    |
| Output Voltage Temperature Regulation          | All   | $\%V_O$  | -         | -     | 0.02  | $\%/^{\circ}C$ |    |
| Output Voltage Trim Range                      | All   | $V_O$  | 9.6       | -     | 13.2  | V              |    |
| Output Ripple, pk-pk                           | Measure with a 1uF ceramic capacitor in parallel with a 10uF tantalum capacitor, 0 to 20MHz bandwidth | $V_O$  | -         | 64    | -     | $mV_{PK-PK}$   |    |
| Output Current                                 | All   | $I_O$  | 0         | -     | 7.1   | A              |    |
| Output DC current-limit inception <sup>2</sup> | All   | $I_O$  | 8         | -     | 12    | A              |    |
| $V_O$ Load Capacitance <sup>3</sup>            | All   | $C_O$  | 220       | -     | 3300  | uF             |    |
| $V_O$ Dynamic Response                         | Peak Deviation<br>Settling Time   | 25%~50%~25%<br>or<br>50%~75%~50%<br>25% load change<br>slew rate = 0.1A/us | $\pm V_O$ | -     | 60    | -              | mV |
|  |   | $T_s$  | -         | 50    | -     | uSec           |    |
| $V_O$ Dynamic Response                         | Peak Deviation<br>Settling Time   | 25%~50%~25%<br>or<br>50%~75%~50%<br>25% load change<br>slew rate = 1A/us   | $\pm V_O$ | -     | 70    | -              | mV |
|  |   | $T_s$  | -         | 100   | -     | uSec           |    |

Note 1 -  $T_a = 25^{\circ}C$ , airflow rate = 400 LFM,  $V_{in} = 48V_{dc}$ , nominal  $V_{out}$  unless otherwise noted.

Note 2 - Hiccup: auto-restart when over-current condition is removed.

Note 3 - High frequency and low ESR is recommended.

## Output Specifications

Table 3. Output Specifications, con't:

| Parameter                                       | Conditions   | Symbol            | Min           | Typ | Max  | Unit              |    |
|---|--|-------------------|---------------|-----|------|-------------------|----|
| Turn-on transient                               | Rise time  | $I_O = I_{O,max}$ | $T_{rise}$    | -   | 20   | -                 | mS |
|   | Turn-on delay time                                   | $I_O = I_{O,max}$ | $T_{turn-on}$ | -   | 10   | -                 | mS |
|   | Output voltage overshoot                             | $I_O = 0$         | $\%V_O$       | -   | -    | 5                 | %  |
| Switching frequency                             | All  | $f_{SW}$          | -             | 350 | -    | kHz               |    |
| Remote ON/OFF control (positive logic)          | Off-state voltage                                    | All               | -0.3          | -   | 1.2  | V                 |    |
|   | On-state voltage                                     | All               | 3.5           | -   | 12   | V                 |    |
| Remote ON/OFF control (Negative logic)          | Off-state voltage                                    | All               | 3.5           | -   | 12   | V                 |    |
|   | On-state voltage                                     | All               | -0.3          | -   | 1.2  | V                 |    |
| Output over-voltage protection <sup>4</sup>     | Static   | $V_O$             | 14            | -   | 16.8 | V                 |    |
|   | Dynamic  |                   | 14            | -   | 17.0 |                   |    |
| Output over-temperature protection <sup>5</sup> | All  | T                 | -             | 120 | -    | °C                |    |
| Output over-temperature hysteresis              | All  | T                 | -             | 10  | -    | °C                |    |
| + Sense   | All  | $\%V_O$           | -             | -   | 5    | %                 |    |
| - Sense   | All  | $\%V_O$           | -             | -   | 5    | %                 |    |
| MTBF <sup>6</sup>                               | Telcordia SR-332-2006; 80% load, 300LFM, 40 °C $T_A$ |                   | -             | 2.0 | -    | 10 <sup>6</sup> h |    |

Note 4 - Hiccup: auto-restart when over-voltage condition is removed.

Note 5 - Auto recovery. over-temperature protect(OTP) test point: see Figure 10 and Figure 11.

Note 6 - 300LFM, 40°C, 48Vdc input voltage, 80%\* $I_{O,max}$

## AVD85B-48S12 Performance Curves

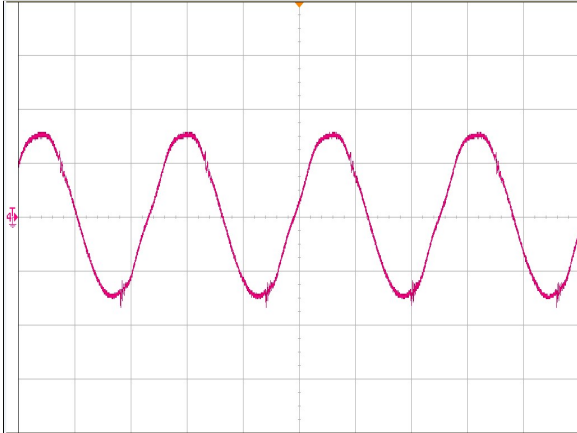


Figure 1: AVD85B-48S12 Output Ripple Waveform  
 1uS/div  
 Ch 4:  $I_N$  (20mA/div)

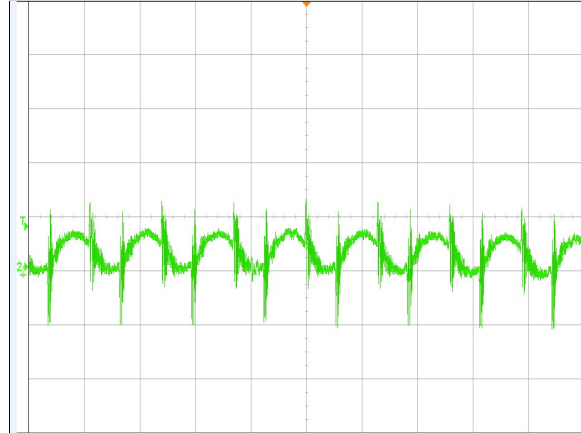


Figure 2: AVD85B-48S12 Input Reflected Ripple Current  
 2uS/div  
 Ch 2:  $V_O$  (10mV/div)

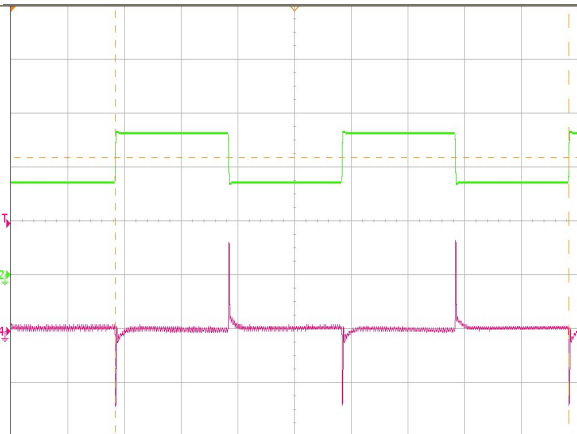


Figure 3: AVD85B-48S12 Output Voltage Dynamic Response  
 50% ~ 75% ~ 50%, 0.1A/uS slew rate, 2mS/div  
 Ch 2:  $I_O$  (2A/div) Ch 4:  $V_O$  (20mV/div)

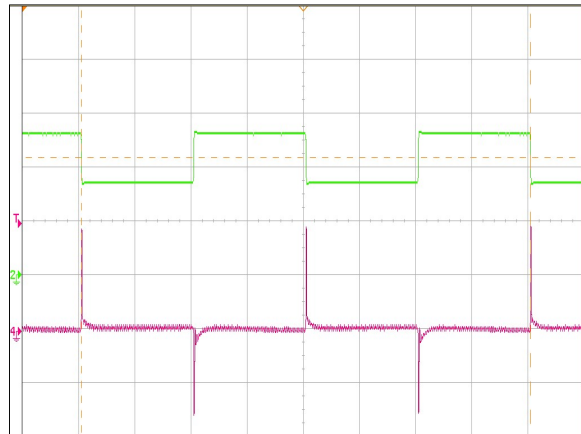


Figure 4: AVD85B-48S12 Output Voltage Dynamic Response  
 50% ~ 75% ~ 50%, 1A/uS slew rate, 2mS/div  
 Ch 2:  $I_O$  (2A/div) Ch 4:  $V_O$  (20mV/div)

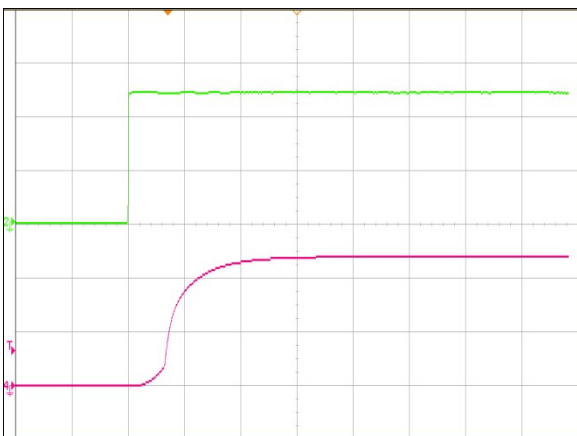


Figure 5: AVD85B-48S12 Output Voltage Start Up By Power On  
 $V_{IN} = 48Vdc$ ,  $I_O = I_{O,max}$ , 20mS/div  
 Ch 2:  $V_{IN}$  (20V/div) Ch 4:  $V_O$  (5V/div)

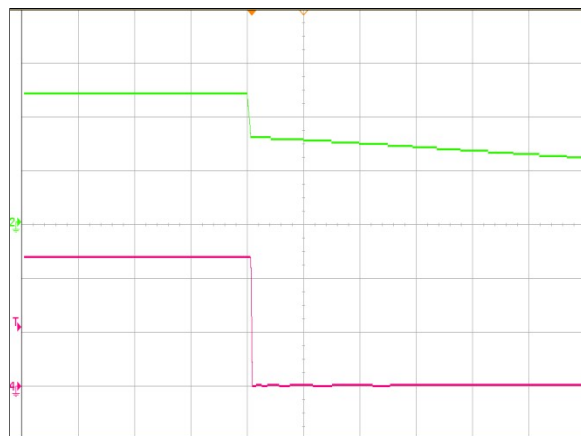


Figure 6: AVD85B-48S12 Output Voltage Shut Down By Power Off  
 $V_{IN} = 48Vdc$ ,  $I_O = I_{O,max}$ , 20mS/div  
 Ch 2:  $V_{IN}$  (20V/div) Ch 4:  $V_O$  (5V/div)

## AVD85B-48S12 Performance Curves

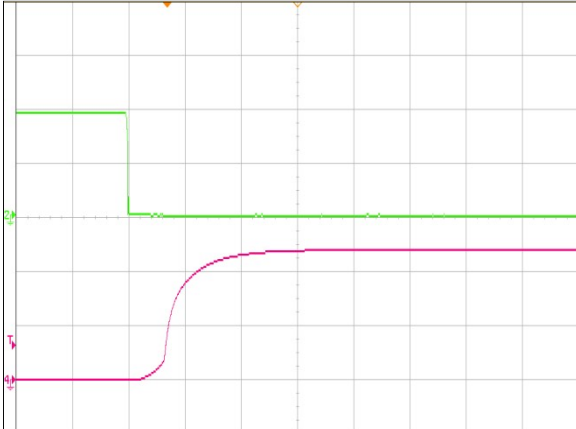


Figure 7: AVD85B-48S12 Output Voltage Start Up By Remote On  
 $V_{IN} = 48Vdc$ ,  $I_o = I_{o,max}$ , 20mS/div  
 Ch 2: Remote On (2V/div) Ch 4:  $V_O$  (5V/div)

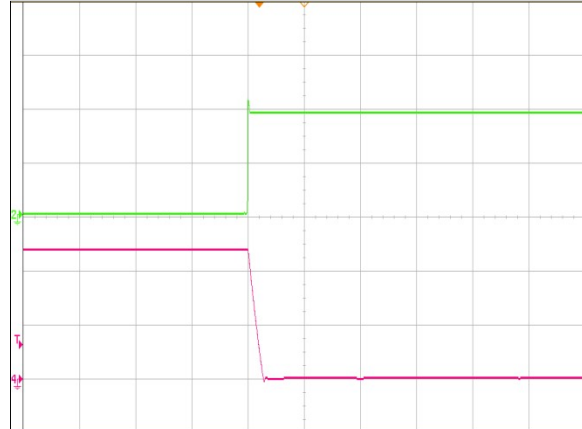


Figure 8: AVD85B-48S12 Output Voltage Shut Down By Remote Off  
 $V_{IN} = 48Vdc$ ,  $I_o = I_{o,max}$ , 10mS/div  
 Ch 2: Remote Off (2V/div) Ch 4:  $V_O$  (5V/div)

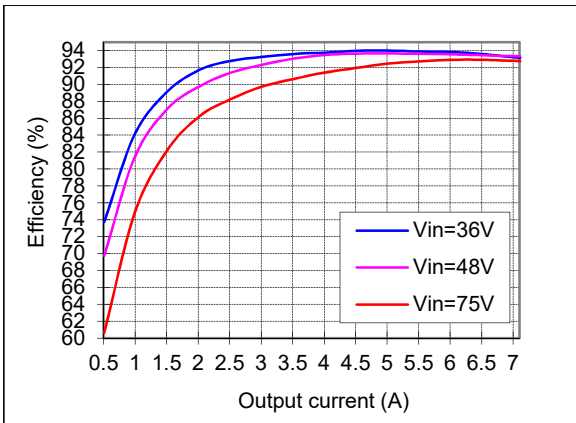


Figure 9: AVD85B-48S12 Efficiency Curves @ 25 °C, 400LFM  
 Loading:  $I_o = 10\%$  increment to 7.1A

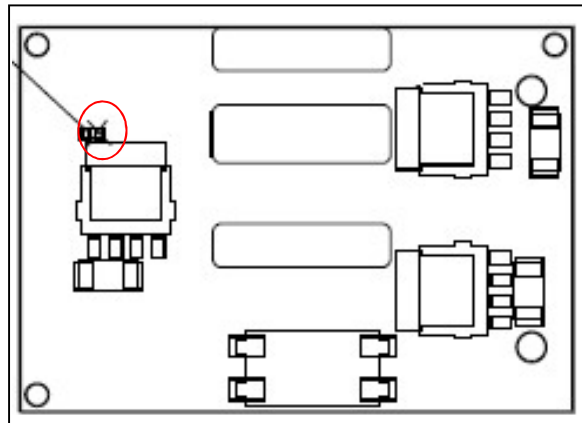


Figure 10: AVD85B-48S12 OTP test point (Open-frame module)

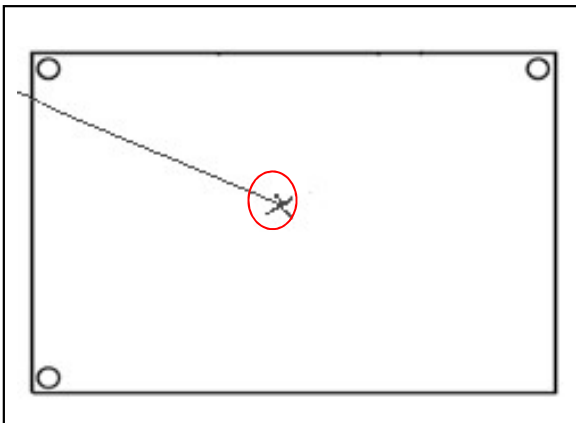
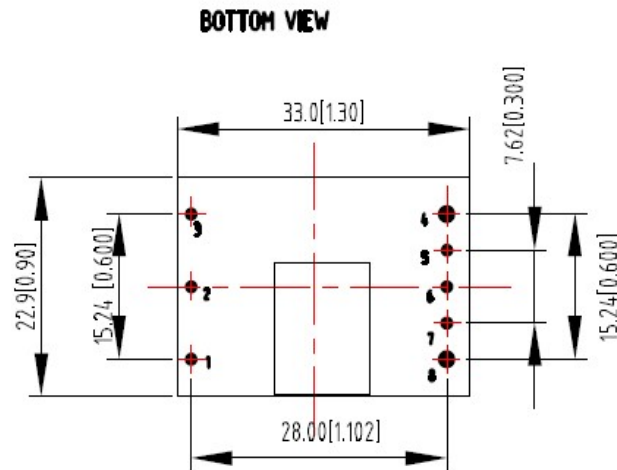


Figure 11: AVD85B-48S12B OTP test point (Module with baseplate)

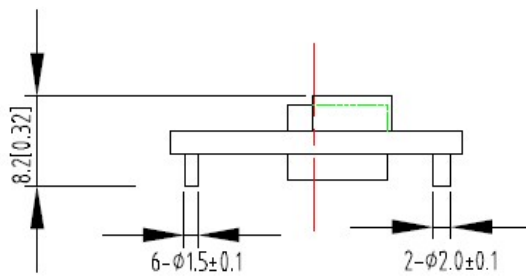


## Mechanical Specifications

### Mechanical Outlines – Surface Mounted Module



**SIDE VIEW**



UNIT: mm[inch]

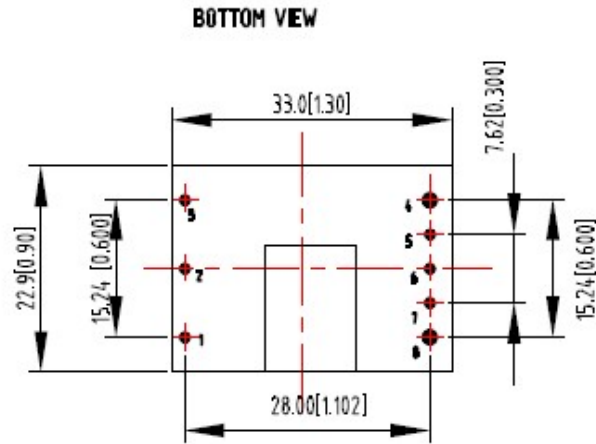
TOLERANCE: X.Xmm $\pm$ 0.5mm[X.XX in. $\pm$ 0.02in.]

X.XXmm $\pm$ 0.25mm[X.XXX in. $\pm$ 0.01in.]

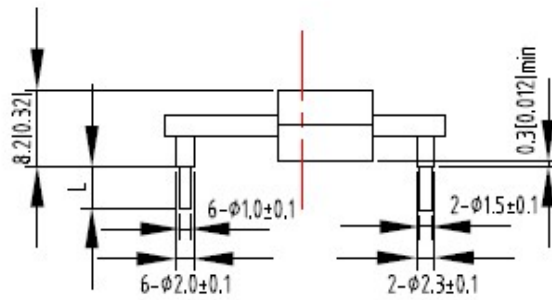
Figure 12 Mechanical Outlines for Surface Mounted Module

## Mechanical Specifications

### Mechanical Outlines – Open Frame Module



SIDE VIEW



UNIT: mm[inch]

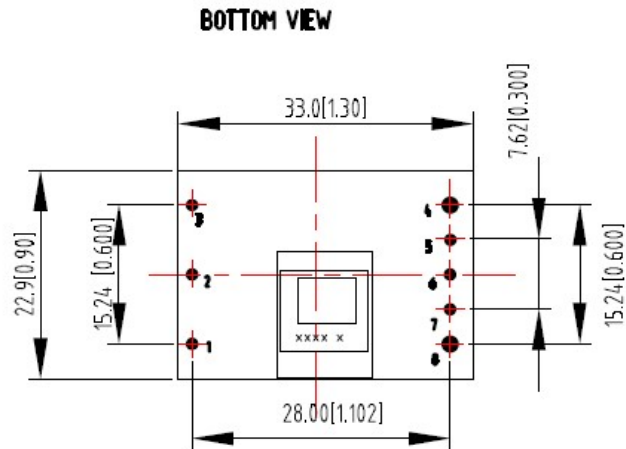
TOLERANCE: X.Xmm±0.5mm[X.XX in.±0.02in.]

X.XXmm±0.25mm[X.XXX in.±0.01in.]

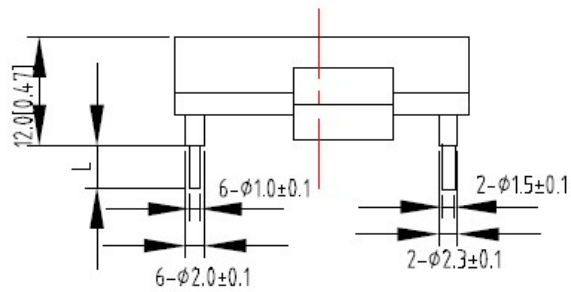
Figure 13 Mechanical Outlines for Open Frame Module

## Mechanical Specifications

### Mechanical Outlines – Baseplate Module



SIDE VIEW



UNIT: mm[inch]

TOLERANCE: X.Xmm $\pm$ 0.5mm[X.XX in. $\pm$ 0.02in.]

X.XXmm $\pm$ 0.25mm[X.XXX in. $\pm$ 0.01in.]

Figure 14 Mechanical Outlines for Baseplate Module

## Pin Length Option

| Device code suffix | L              |
|--------------------|----------------|
| -4                 | 4.8mm ±0.25 mm |
| -6                 | 3.8mm ±0.25 mm |
| -8                 | 2.8mm ±0.25 mm |
| None               | 5.8mm ±0.25 mm |

## Pin Designations

| Pin No | Name          | Function                       |
|--------|---------------|--------------------------------|
| 1      | Vin+          | Positive input terminal        |
| 2      | Remote On/Off | Remote control terminal        |
| 3      | Vin-          | Negative input terminal        |
| 4      | Vo-           | Negative output terminal       |
| 5      | S-            | Negative remote sense terminal |
| 6      | Trim          | Output voltage trim terminal   |
| 7      | S+            | Positive remote sense terminal |
| 8      | Vo+           | Positive output terminal       |

## Environmental Specifications

### EMC Immunity

AVD85B-48S12 series power supply is designed to meet the following EMC immunity specifications:

Table 4. Environmental Specifications:

| Document                  | Description   | Criteria |
|---------------------------|---|----------|
| EN55032, Class A Limits   | Conducted and Radiated EMI Limits, DC input port  | /        |
| IEC/EN 61000-4-2, Level 3 | Electromagnetic Compatibility (EMC) - Testing and measurement techniques - Electrostatic discharge immunity test. Enclosure Port                        | B        |
| IEC/EN 61000-4-6, Level 2 | Electromagnetic Compatibility (EMC) - Testing and measurement techniques, Continuous Conducted Interference. DC input port                              | A        |
| IEC/EN 61000-4-4, Level 3 | Electromagnetic Compatibility (EMC) - Testing and measurement techniques, Electrical Fast Transient. DC input port.                                     | B        |
| IEC/EN 61000-4-5          | Electromagnetic Compatibility (EMC) - Testing and measurement techniques, Immunity to surges - 600V common mode and 600V differential mode for DC ports | B        |
| EN61000-4-29              | Electromagnetic Compatibility (EMC) - Testing and measurement techniques, Voltage Dips and short interruptions and voltage variations. DC input port    | B        |

Criterion A: Normal performance during and after test.

Criterion B: For EFT and surges, low-voltage protection or reset is not allowed. Temporary output voltage fluctuation ceases after disturbances ceases, and from which the EUT recovers its normal performance automatically. For Dips and ESD, output voltage fluctuation or reset is allowed during the test, but recovers to its normal performance automatically after the disturbance ceases.

## Safety Certifications

The AVD85B-48S12 series power supply is intended for inclusion in other equipment and the installer must ensure that it is in compliance with all the requirements of the end application. This product is only for inclusion by professional installers within other equipment and must not be operated as a stand alone product.

Table 5. Safety Certifications for AVD85B-48S12 series power supply system:

| Document     | File # | Description                |
|--------------|--------|----------------------------|
| UL/CSA 60950 |        | US and Canada Requirements |
| EN60950      |        | European Requirements      |
| IEC60950     |        | International Requirements |
| CE           |        | CE Marking                 |

**Operating Temperature**

The AVD85B-48S12 series power supply will start and operate within stated specifications at an ambient temperature from -40 °C to 85 °C under all load conditions. The storage temperature is -55 °C to 125 °C.

**Thermal Considerations**

The converter is designed to operate in different thermal environments and sufficient cooling must be provided. Proper cooling of the DC/DC converter can be verified by measuring the temperature at the test point as shown in the Figure 15. The temperature at this point should not exceed the max values in the table 6.

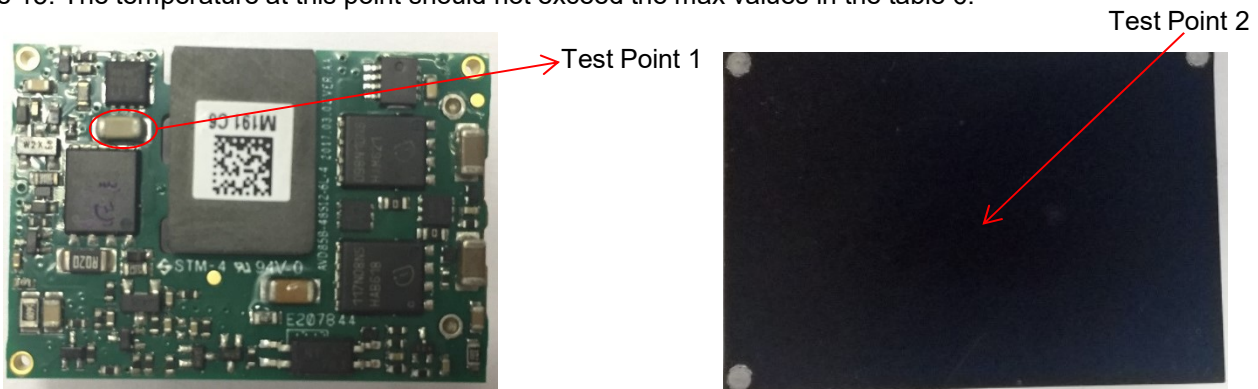


Figure 15 Temperature test point

Table 6. Temperature limit of the test point:

| Test Point               | Temperature Limit |
|--------------------------|-------------------|
| Test point 1 (C3)        | 135°C             |
| Test point 2 (Baseplate) | 120°C             |

**Thermal Considerations – Con`t**

For a typical application, below are the derating curves show the derating of output current vs. ambient air temperature at different air velocity. The airflow direction is from Vin- to Vin+.

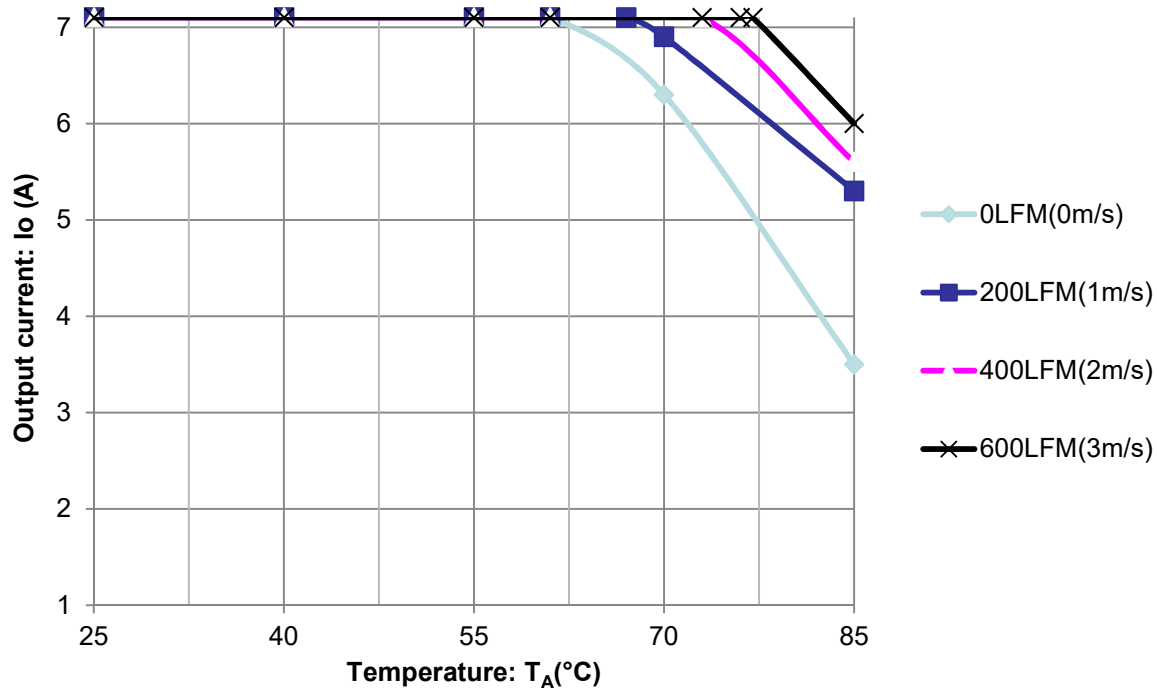


Figure 16 AVD85B-48S12-6L and AVD85B-48S12TL

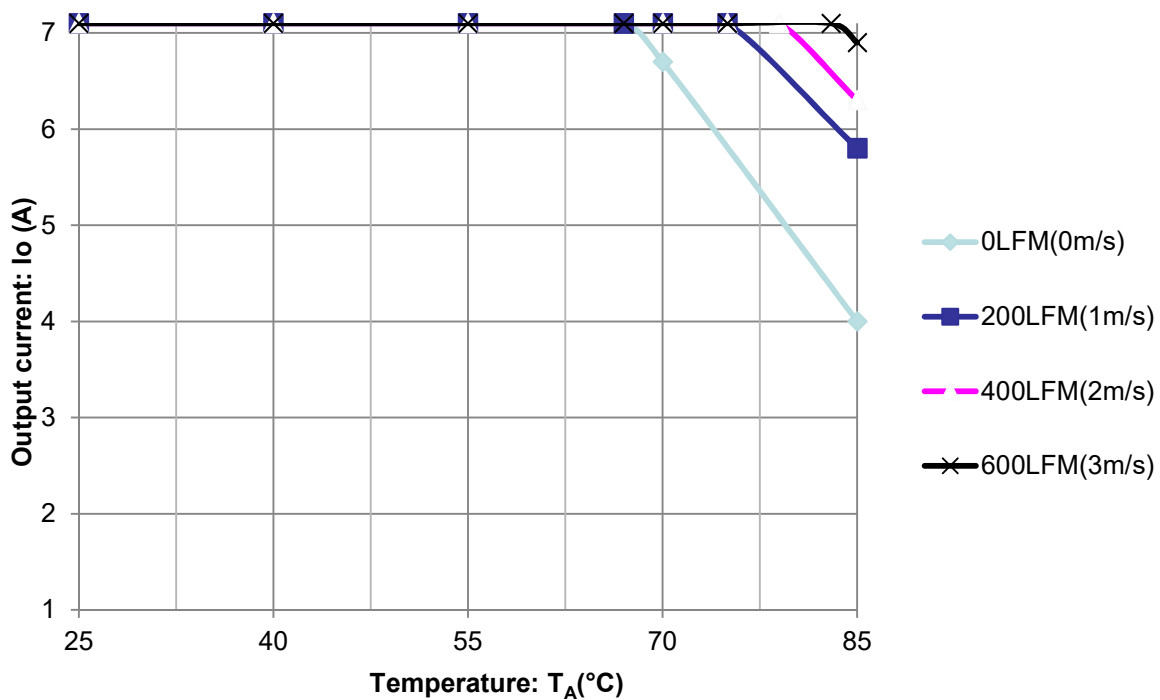


Figure 17 AVD85B-48S12B-6L



## Qualification Testing

| Parameter        | Unit (pcs) | Test condition   |
|------------------|------------|--|
| Halt test        | 4-5        | $T_{a,min} - 20\text{ }^{\circ}\text{C}$ to $T_{a,max} + 25\text{ }^{\circ}\text{C}$ , $10\text{ }^{\circ}\text{C}$ step, $V_{in}$ = min to max, 0 ~ 100% load |
| Vibration        | 3          | Frequency range: 5Hz ~ 20Hz, 20Hz ~ 200Hz, A.S.D: $1.0\text{m}^2/\text{s}^3$ , -3db/oct, axes of vibration: X/Y/Z. Time: 30min/axes                            |
| Mechanical Shock | 3          | 30g, 6ms, 3axes, 6directions, 3time/direction  |
| Thermal Shock    | 3          | $-55\text{ }^{\circ}\text{C}$ to $125\text{ }^{\circ}\text{C}$ , unit temperature 20 cycles  |
| Thermal Cycling  | 3          | $-40\text{ }^{\circ}\text{C}$ to $55\text{ }^{\circ}\text{C}$ , temperature change rate: $1\text{ }^{\circ}\text{C}/\text{min}$ , cycles: 2cycles              |
| Humidity         | 3          | $40\text{ }^{\circ}\text{C}$ , 95%RH, 48h  |
| Solder Ability   | 15         | IPC J-STD-002C-2007  |

## Application Notes

### Typical Application

Below is the typical application of the AVD85B-48S12 series power supply.

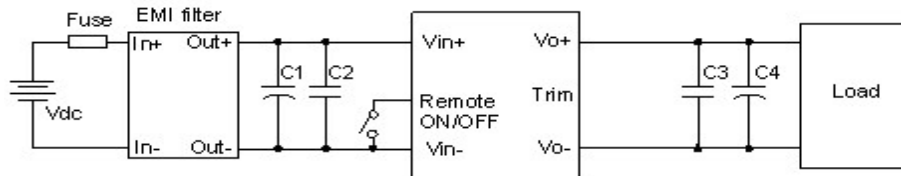


Figure 18 Typical application

C1: 220uF/100V electrolytic capacitor, P/N: UPM2A101MPD (Nichicon) or equivalent caps.

C2: 0.1uF/100V X7R ceramic capacitor, P/N: C3216X7R2A104KT0L0S (TDK) or equivalent caps.

C3: 1uF/100V X7R ceramic capacitor, P/N: C3216X7R2A105KT0L0U (TDK) or equivalent caps.

C4: 220µF oscon capacitor, P/N: CUXAE1C221M2BA (Sanyo).

Fuse: External fast blow fuse with a rating of 5A. The recommended fuse model is 0453005.MR from LITTLEFUSE.

EMI filter: see Figure 23.

48V input and full load output are default.

### Remote ON/OFF

Negative remote ON/OFF logic is available in AVD85B-48S12 series power supply. The logic is CMOS and TTL compatible. The voltage between pin Remote ON/OFF and pin Vin- must not exceed the range listed in table 3 to ensure proper operation. The external Remote ON/OFF circuit is highly recommended as shown in figure 19.

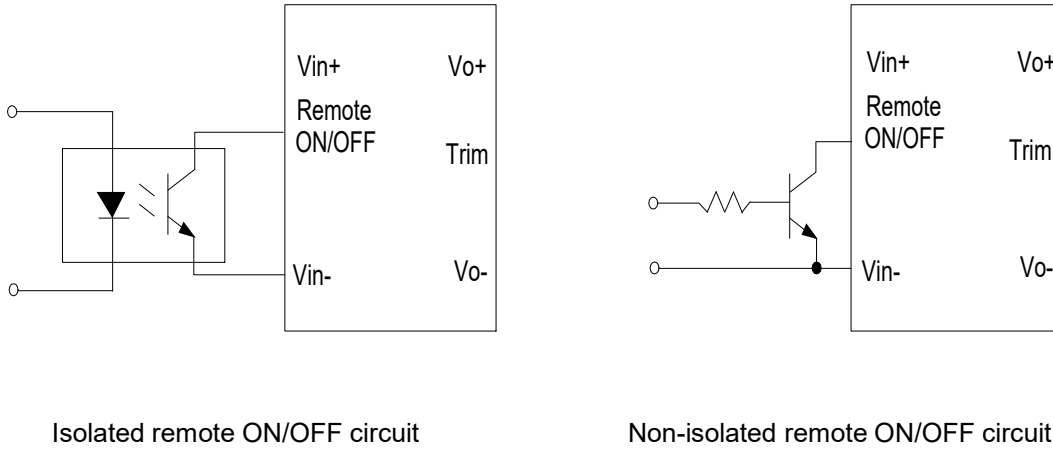


Figure 19 External Remote ON/OFF circuit

## Trim Characteristics

Connecting an external resistor between Trim pin and Vo- pin will decrease the output voltage. While connecting it between Trim and Vo+ will increase the output voltage. The following equations determine the external resistance to obtain the trimmed output voltage.

$$R_{adj-down} = \frac{510}{\Delta} - 10.2(K\Omega)$$

$$R_{adj-up} = \frac{5.1 \times V_{nom} \times (100 + \Delta)}{1.225 \times \Delta} - \frac{510}{\Delta} - 10.2(K\Omega)$$

$\Delta$ : Output rate against nominal output voltage.

$$\Delta = \left| \frac{100 \times (V_{nom} - V_o)}{V_{nom}} \right|$$

$V_{nom}$ : Nominal output voltage

For example, to get 13.2V output, the trimming resistor is

$$\Delta = \frac{100 \times (V_o - V_{o,nom})}{V_{o,nom}} = \frac{100 \times (13.2 - 12)}{12} = 10$$

$$R_{adj-up} = \frac{5.1 \times 12 \times (100 + 10)}{1.225 \times 10} - \frac{510}{10} - 10.2 = 488.35(K\Omega)$$

When trimming up, the output current should be decreased accordingly so as not to exceed the maximum output power.

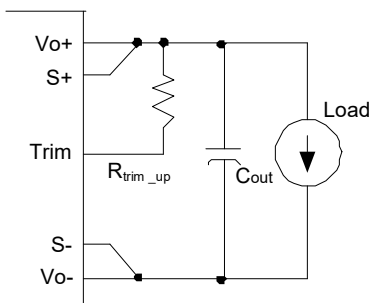


Figure 20 Trim up

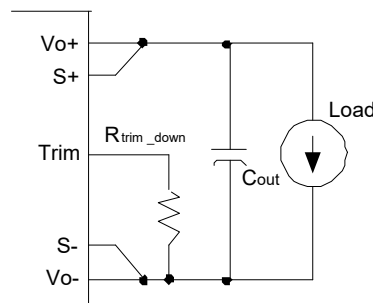


Figure 21 Trim down

If the sense compensate function is not necessary, connect S+ to Vo+ and S- to Vo- directly.

**Input Ripple & Output Ripple & Noise Test Configuration**

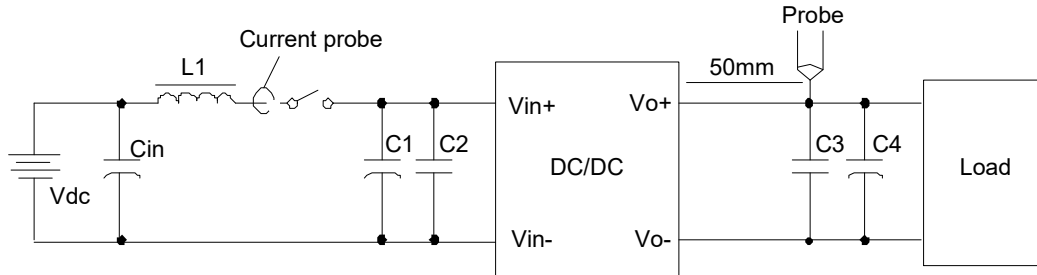


Figure 22 Input ripple & output ripple & noise test configuration

Vdc: DC power supply

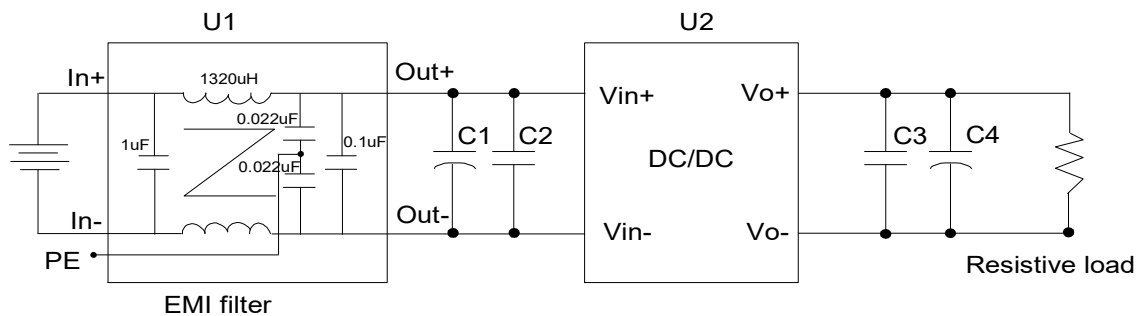
L1: 12uH

Cin: 220uF/100V typical

C1 ~ C4: See Figure 18

Note - Using a coaxial cable with series 50ohm resistor and 0.68uF ceramic capacitor or a ground ring of probe to test output ripple & noise is recommended.

**EMC Test configuration**



U1: Input EMC filter

U2: Module to test, AVD85B-48S12

C1 ~ C4: See Figure 18

Figure 23 EMC Test configuration

## Soldering

The below products are intended for standard manual or wave soldering.

|    | <b>Product Requirement</b> | <b>Product Name</b>                 |
|----|----------------------------|-------------------------------------|
| R6 | Wave soldering             | AVD85B-48S12B-6L<br>AVD85B-48S12-6L |

When wave soldering is used, the temperature on pins is specified to maximum 260°C for maximum 7s.

When soldering by hand, the iron temperature should be maintained at 300°C ~ 380°C and applied to the converter pins for less than 10s. Longer exposure can cause internal damage to the converter. Cleaning of solder joint can be performed with cleaning solvent IPA or simulative.

The below products are intended for standard reflow soldering.

|    | <b>Product Requirement</b> | <b>Product Name</b>               |
|----|----------------------------|-----------------------------------|
| R6 | Reflow soldering           | AVD85B-48S12-6L<br>AVD85B-48S12TL |

When reflow soldering is used, the temperature on pins is specified to maximum 260°C for maximum 10s.

**Package Information**

**Package type**

moisture sensitivity level 3, moisture barrier bags.

**Minimal package QTY**

192 pcs.

**Package disassembly**

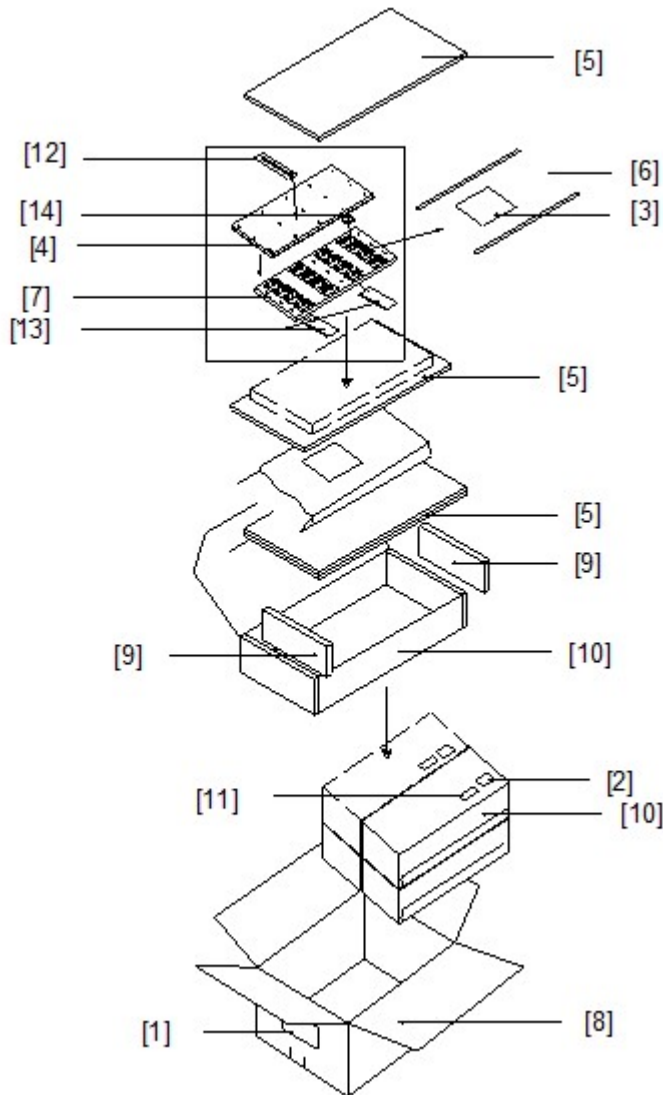
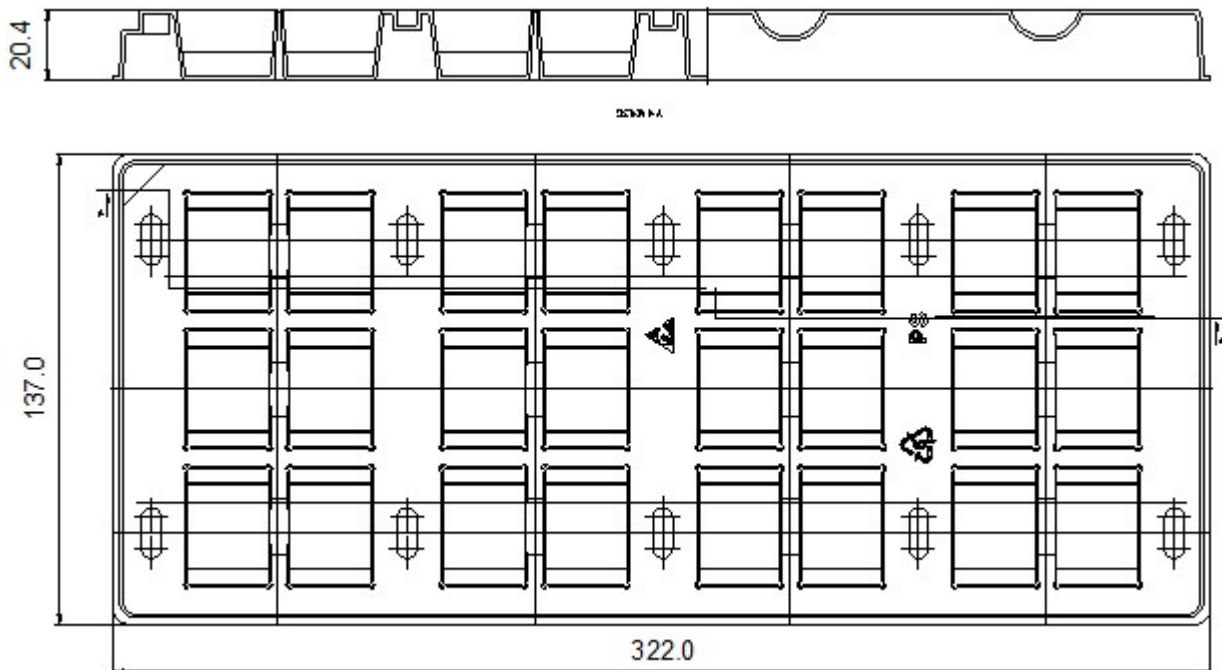


Figure 24 Package disassembly

Table 7. Assemblies description:

| No. | Description                        |
|-----|------------------------------------|
| 1   | Shipping label                     |
| 2   | Moistureproof identification label |
| 3   | Moistureproof caution label        |
| 4   | Tray cover                         |
| 5   | Anti-static PE foam 1              |
| 6   | Moisture barrier bag               |
| 7   | Tray                               |
| 8   | Shipping carton                    |
| 9   | Anti-static PE foam 2              |
| 10  | Inner box                          |
| 11  | Model barcode label                |
| 12  | Humidity indicating card           |
| 13  | Desiccant                          |
| 14  | Model                              |

## Package tray information





**Hazardous Substances Announcement (RoHS of China R6)**

| Parts            | Hazardous Substances |    |    |                  |     |      |
|------------------|----------------------|----|----|------------------|-----|------|
|                  | Pb                   | Hg | Cd | Cr <sup>6+</sup> | PBB | PBDE |
| AVD85B-48S12B-6L | x                    | x  | x  | x                | x   | x    |
| AVD85B-48S12-6L  | x                    | x  | x  | x                | x   | x    |
| AVD85B-48S12TL   | x                    | x  | x  | x                | x   | x    |

x: Means the content of the hazardous substances in all the average quality materials of the part is within the limits specified in SJ/T-11363-2006

√: Means the content of the hazardous substances in at least one of the average quality materials of the part is outside the limits specified in SJ/T11363-2006

Artesyn Embedded Technologies has been committed to the design and manufacturing of environment-friendly products. It will reduce and eventually eliminate the hazardous substances in the products through unremitting efforts in research. However, limited by the current technical level, the following parts still contain hazardous substances due to the lack of reliable substitute or mature solution:

1. Solders (including high-temperature solder in parts) contain plumbum.
2. Glass of electric parts contains plumbum.
3. Copper alloy of pins contains plumbum

## Record of Revision and Changes

| Issue | Date       | Description                  | Originators |
|-------|------------|------------------------------|-------------|
| 1.0   | 08.08.2017 | First Issue                  | L. Leo      |
| 1.1   | 11.21.2017 | Update the isolation voltage | L. Leo      |
| 1.2   | 07.10.2018 | Update the trim error        | K. Wang     |

### WORLDWIDE OFFICES

#### Americas

2900 S.Diablo Way  
 Tempe, AZ 85282  
 USA  
 +1 888 412 7832

#### Europe (UK)

Waterfront Business Park  
 Merry Hill, Dudley  
 West Midlands, DY5 1LX  
 United Kingdom  
 +44 (0) 1384 842 211

#### Asia (HK)

14/F, Lu Plaza  
 2 Wing Yip Street  
 Kwun Tong, Kowloon  
 Hong Kong  
 +852 2176 3333



[www.artesyn.com](http://www.artesyn.com)

While every precaution has been taken to ensure accuracy and completeness in this literature, Artesyn Embedded Technologies assumes no responsibility, and disclaims all liability for damages resulting from use of this information or for any errors or omissions. Artesyn Embedded Technologies, Artesyn and the Artesyn Embedded Technologies logo are trademarks and service marks of Artesyn Technologies, Inc. All other names and logos referred to are trade names, trademarks, or registered trademarks of their respective owners.  
 © 2014 All rights reserved.

For more information: [www.artesyn.com/power](http://www.artesyn.com/power)  
 For support: [productsupport.ep@artesyn.com](mailto:productsupport.ep@artesyn.com)