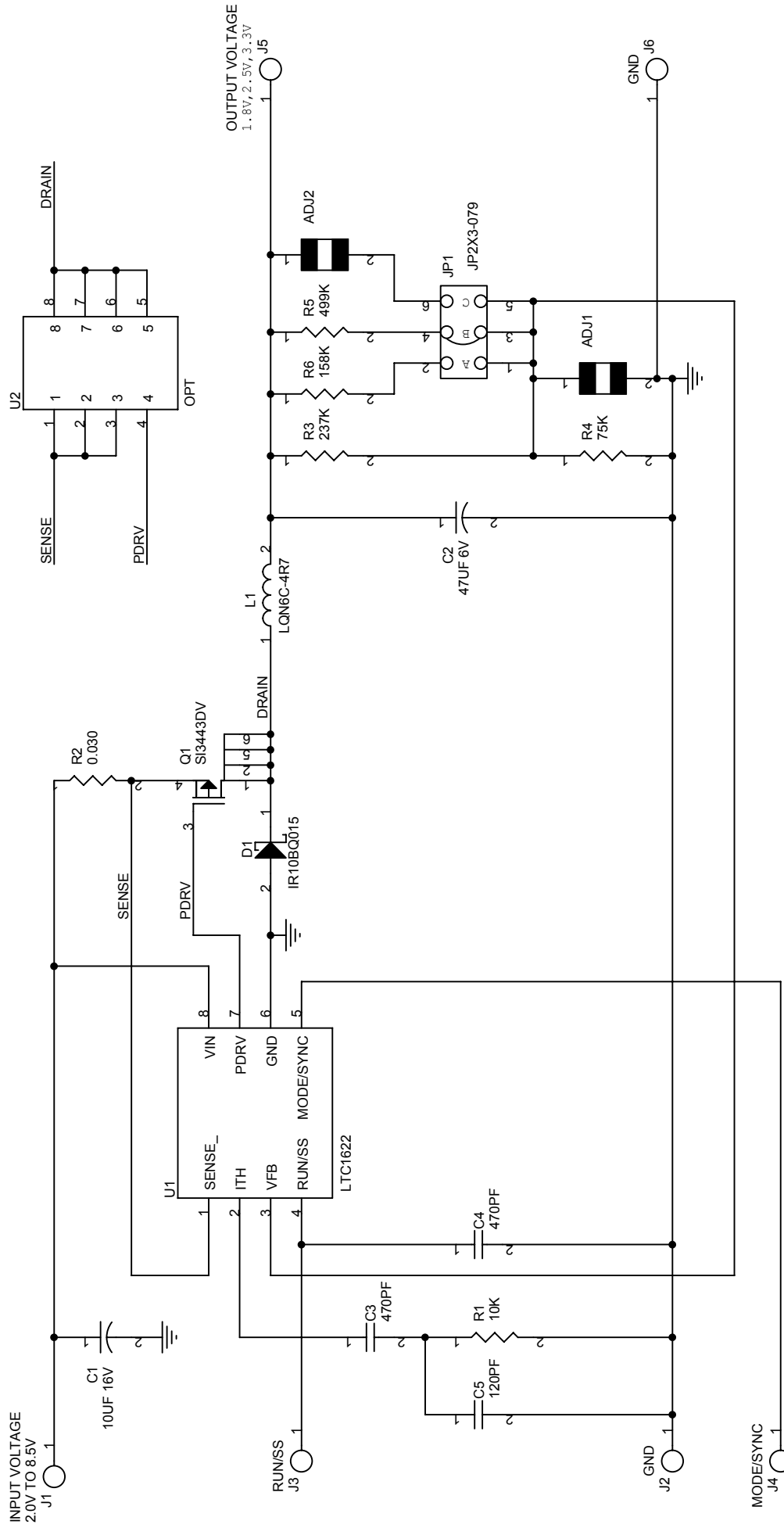


**NOTES:** UNLESS OTHERWISE SPECIFIED

1. ALL RESISTORS VALUES ARE IN OHMS.
2. INSTALL SHUNT ON JP1 PIN 3 AND 4.
3. U2 IS THE OPTIONAL OPT AND ON THE BOTTOM SIDE.



CONFIDENTIAL INFORMATION

THIS DOCUMENT CONTAINS UNPUBLISHED INFORMATION WHICH IS PROPRIETARY TO AND IS THE PROPERTY OF LINEAR TECH. CORP. AND MAY NOT BE USED, DISCLOSED OR REPRODUCED WITHOUT THE EXPRESS WRITTEN PERMISSION OF LINEAR TECH. CORP.

TRADE SECRET INFO.

APPROVALS

DRAFTER	KIM TRAN
CHECKER	
ENGINEER	
ENGR. MGR	
PROJ. DIR	
NEXT ASSEMBLY	
ASSY-	

DATE

**LINEAR TECHNOLOGY CORP**

1630 MCCARTHY BLVD. MILPITAS, CA 95035  
PH. (408) 954-8400 FAX (408) 434-0507

Title

**LOW INPUT VOLTAGE CURRENT MODE-BUCK CONVERTER**

Size	Document Number	Rev
A	<b>DC232A-LTC1622</b>	A

Date: Tuesday, February 11, 2003 Sheet 1 of 1