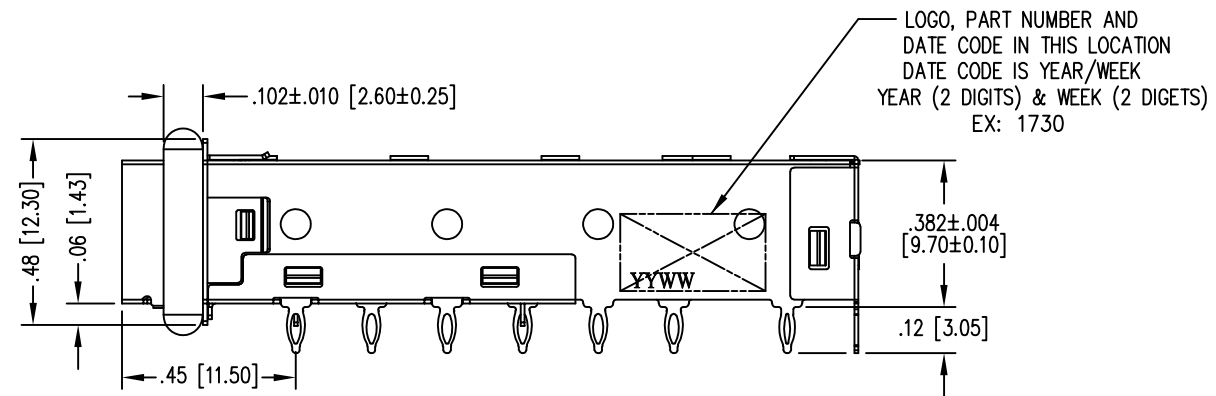
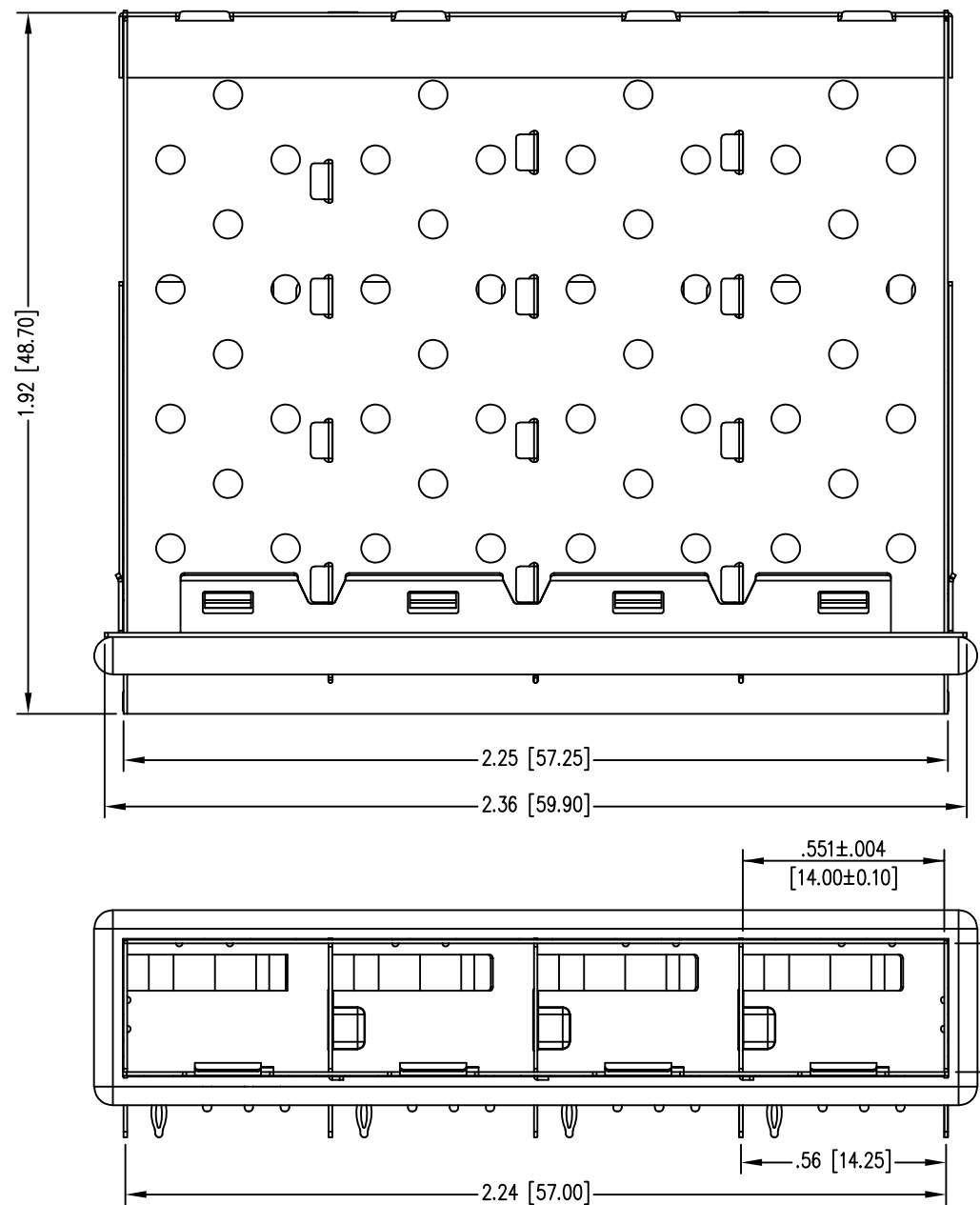


DATE	REV	ECN	APP'D. BY
8-11-17	A2	11061	TRM
8-16-17	A3	11066	TRM
9-28-17	A4	11104	DHG



NOTES:

- MATERIALS:**
 CAGE: 1 PIECE COPPER ALLOY T= 0.01 [0.25]
 GASKET FLANGE: 1 PIECE COPPER ALLOY T = 0.01 [0.25]
 EMI GASKET: 1 PIECE PLATED FILLED SILICONE
- PLATING:**
 CAGE: NICKEL
- TEMPERATURE:**
 OPERATIONAL: -40°C~+85°C
 STORAGE: -55°C~+105°C
- FOR PRODUCT SPECIFICATIONS SEE PR043-01.
- MATES WITH SFP MSA COMPLIANT TRANSCEIVERS.

SS-79100-008
PART NUMBER



THIRD ANGLE PROJECTION

DRAWING IS SUBJECT TO CHANGE WITHOUT NOTICE

UNLESS OTHERWISE SPECIFIED DIMENSIONS INCHES [METRIC] TOLERANCES ARE:

ANGLES ± 0.5°
 1 PLC. DEC. ±.010" [±0.25]
 2 PLC. DEC. ±.008" [±0.20]
 3 PLC. DEC. ±.006" [±0.15]
 DO NOT SCALE DRAWING

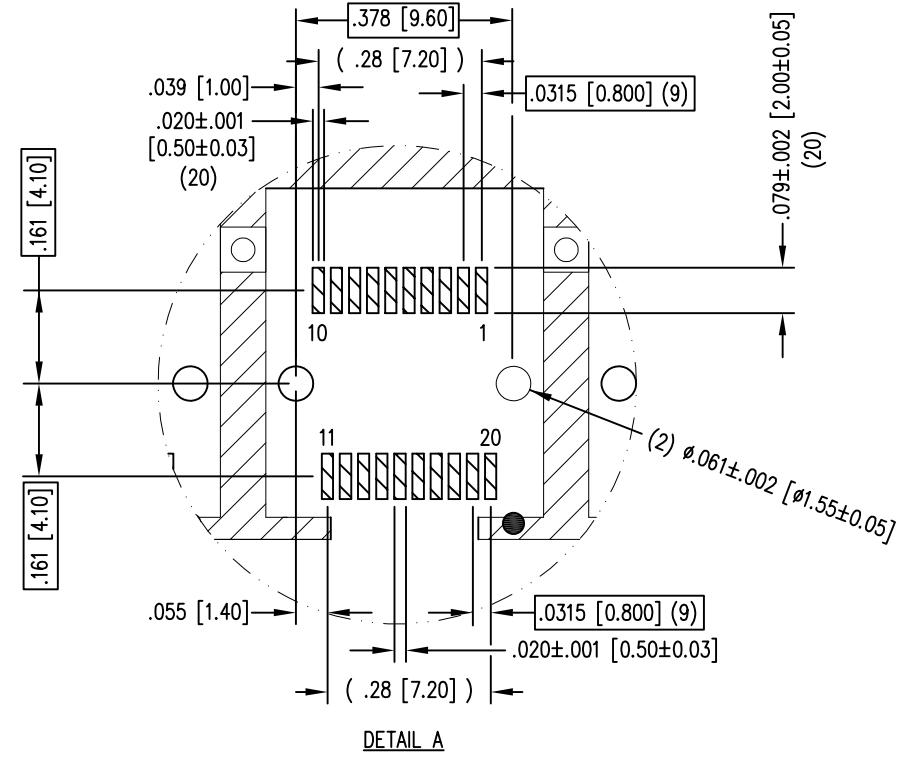
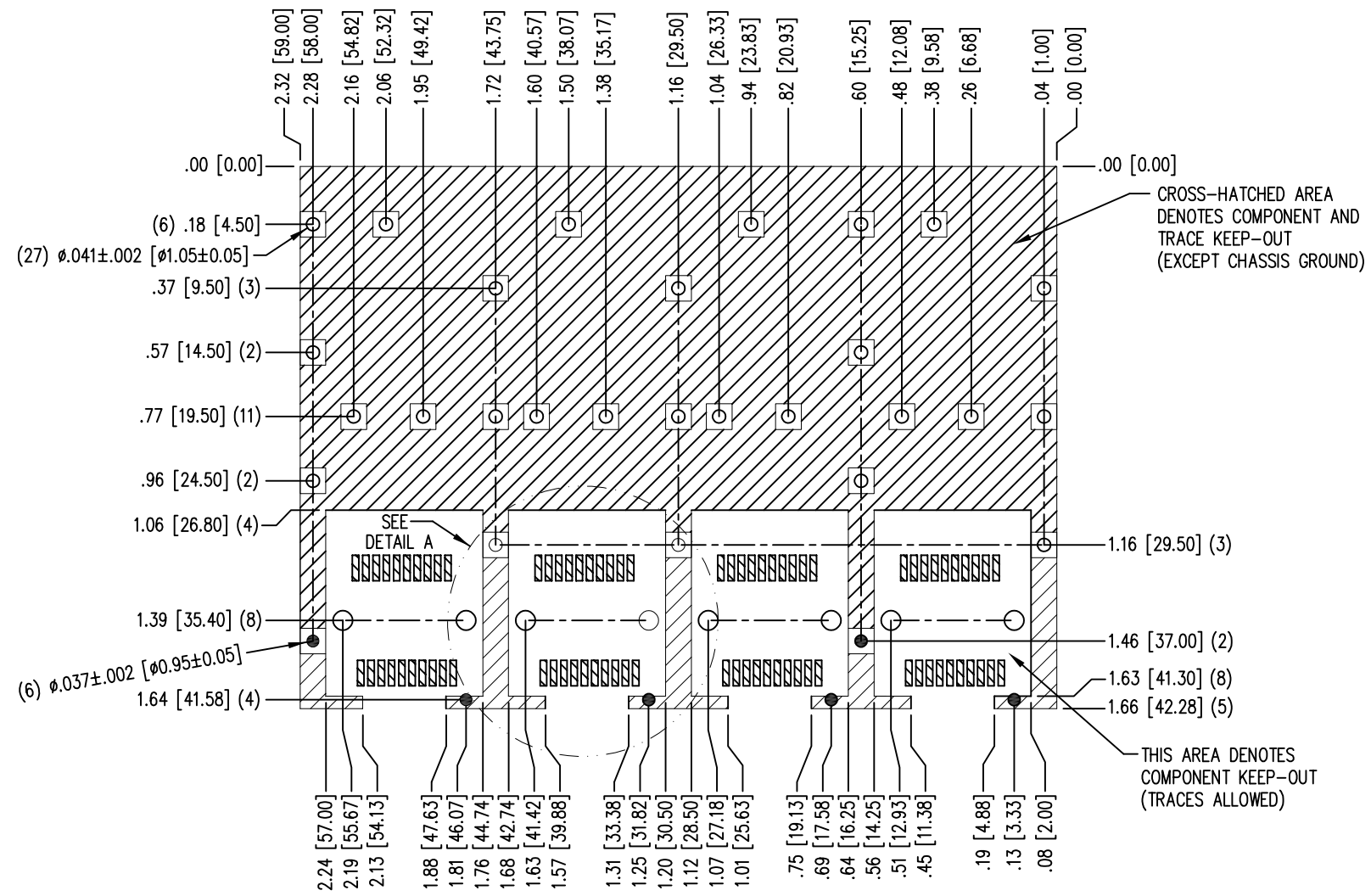
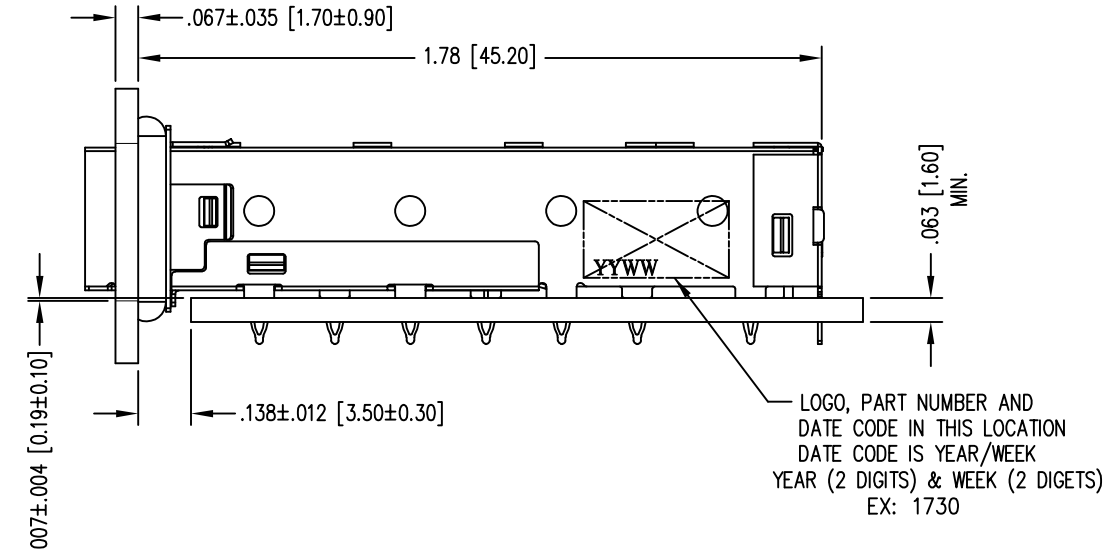
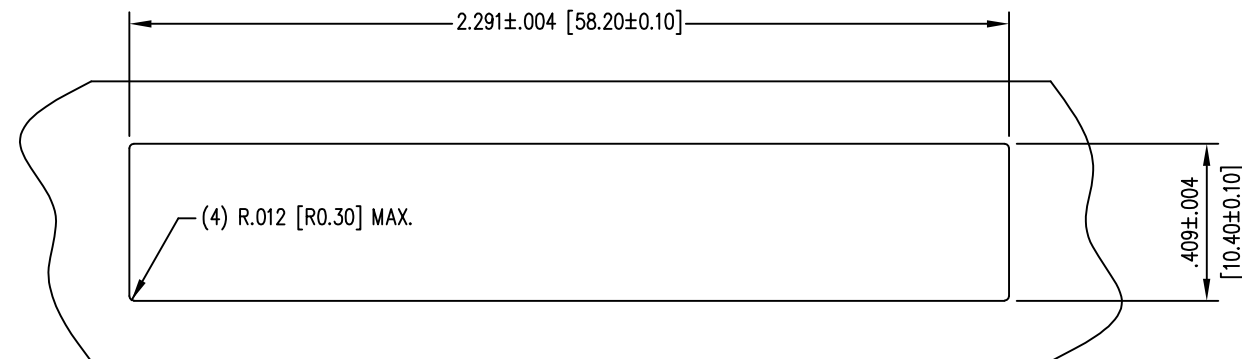
SHEET NO. 1 OF 2

1118 Susquehanna Trail South
 Glen Rock, PA 17327-9199
 (717) 235-7512
<http://www.stewartconnector.com>

TITLE: SFP+ 1X4 CAGE WITH GASKET, PRESS FIT

THIS DRAWING AND THE SUBJECT MATTER SHOWN THEREON ARE CONFIDENTIAL AND THE PROPRIETARY PROPERTY OF STEWART CONNECTOR AND SHALL NOT BE REPRODUCED, COPIED, OR USED IN ANY MANNER WITHOUT PRIOR WRITTEN CONSENT OF STEWART CONNECTOR. ONE OR MORE U.S. PATENTS MAY APPLY TO THIS PRODUCT. FOR DETAILS, PLEASE VISIT: [HTTP://BELFUSE.COM/STEWART/STEWART_PATENTS/](http://BELFUSE.COM/STEWART/STEWART_PATENTS/)

DRN BY: TRM	DATE: 6-9-17
APPD BY: DHG	DATE: 6-30-17
DWG NO. CT790008	REV. A4



PCB LAYOUT THICKNESS = .118 [3.0] (TOP VIEW)



<p>THIRD ANGLE PROJECTION</p> <p>DRAWING IS SUBJECT TO CHANGE WITHOUT NOTICE</p> <p>UNLESS OTHERWISE SPECIFIED DIMENSIONS INCHES [METRIC]</p> <p>TOLERANCES ARE:</p> <p>ANGLES ± 0.5°</p> <p>1 PLC. DEC. ±.010" [±0.25]</p> <p>2 PLC. DEC. ±.008" [±0.20]</p> <p>3 PLC. DEC. ±.006" [±0.15]</p> <p>DO NOT SCALE DRAWING</p> <p>SHEET NO. 2 OF 2</p>	<p>1118 Susquehanna Trail South Glen Rock, PA 17327-9199 (717) 235-7512 http://www.stewartconnector.com</p>
<p>TITLE: SFP+ 1X4 CAGE WITH GASKET, PRESS FIT</p>	
<p>THIS DRAWING AND THE SUBJECT MATTER SHOWN THEREON ARE CONFIDENTIAL AND THE PROPRIETARY PROPERTY OF STEWART CONNECTOR AND SHALL NOT BE REPRODUCED, COPIED, OR USED IN ANY MANNER WITHOUT PRIOR WRITTEN CONSENT OF STEWART CONNECTOR. ONE OR MORE U.S. PATENTS MAY APPLY TO THIS PRODUCT. FOR DETAILS, PLEASE VISIT: HTTP://BELFUSE.COM/STEWART/STEWART_PATENTS/</p>	
<p>DRN BY: TRM</p> <p>APPD BY: DHG</p> <p>DWG NO. CT790008</p>	<p>DATE 6-9-17</p> <p>DATE 6-30-17</p> <p>REV. A4</p>