

1

2

3

4

A

A

B

B

C

C

D

D

U_DDR3-RAM
DDR3-RAM.SchDoc

U_Ethernet
Ethernet.SchDoc

U_USB-PHY
USB-PHY.SchDoc

U_SOC
SOC.SchDoc

U_CPLD
CPLD.SchDoc

U_POWER2
POWER2.SchDoc

U_HyperFlash_RAM
HyperFlash_RAM.SchDoc

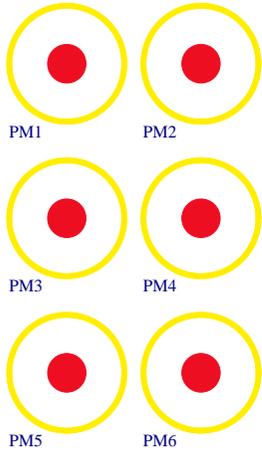
U_Clock
Clock.SchDoc

U_eMMC
eMMC.SchDoc

U_Connectors
Connectors.SchDoc

U_POWER
POWER.SchDoc

LOGO1
TE Logo PRINT Layer
LOGO PRINT



Serial
Serialnumber 6,3 x 6.3mm

Special notes:



Title: TE0782 - Overview		
A4	Number: TE0782 82133MA	Rev. 02
Date: 2015-05-27	Copyright: Trenz Electronic GmbH	Page1 of 31
Filename: TE0782.SchDoc		

1

2

3

4

1

2

3

4

A

A

U_HSMC_CONN_J1
HSMC_CONN_J1.SchDoc



U_HSMC_CONN_J2
HSMC_CONN_J2.SchDoc



U_HSMC_CONN_J3
HSMC_CONN_J3.SchDoc



B

B

C

C

D

D

			Title: TE0782 - Connectors		
			A4	Number: TE0782 82I33MA	Rev. 02
Date: 2015-05-27		Copyright: Trenz Electronic GmbH		Page 2 of 31	
Filename: Connectors.SchDoc					

1

2

3

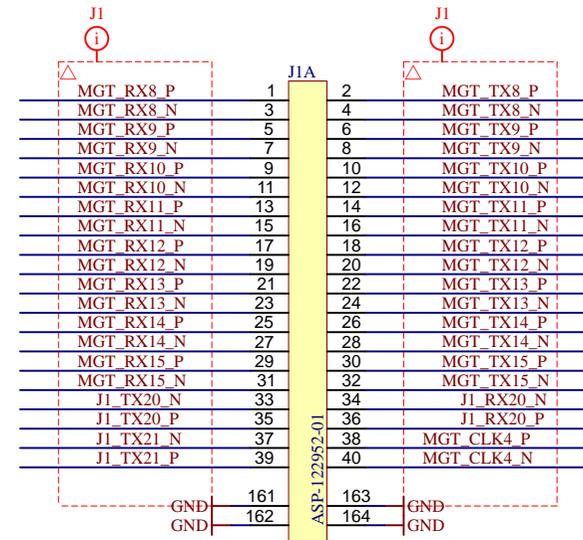
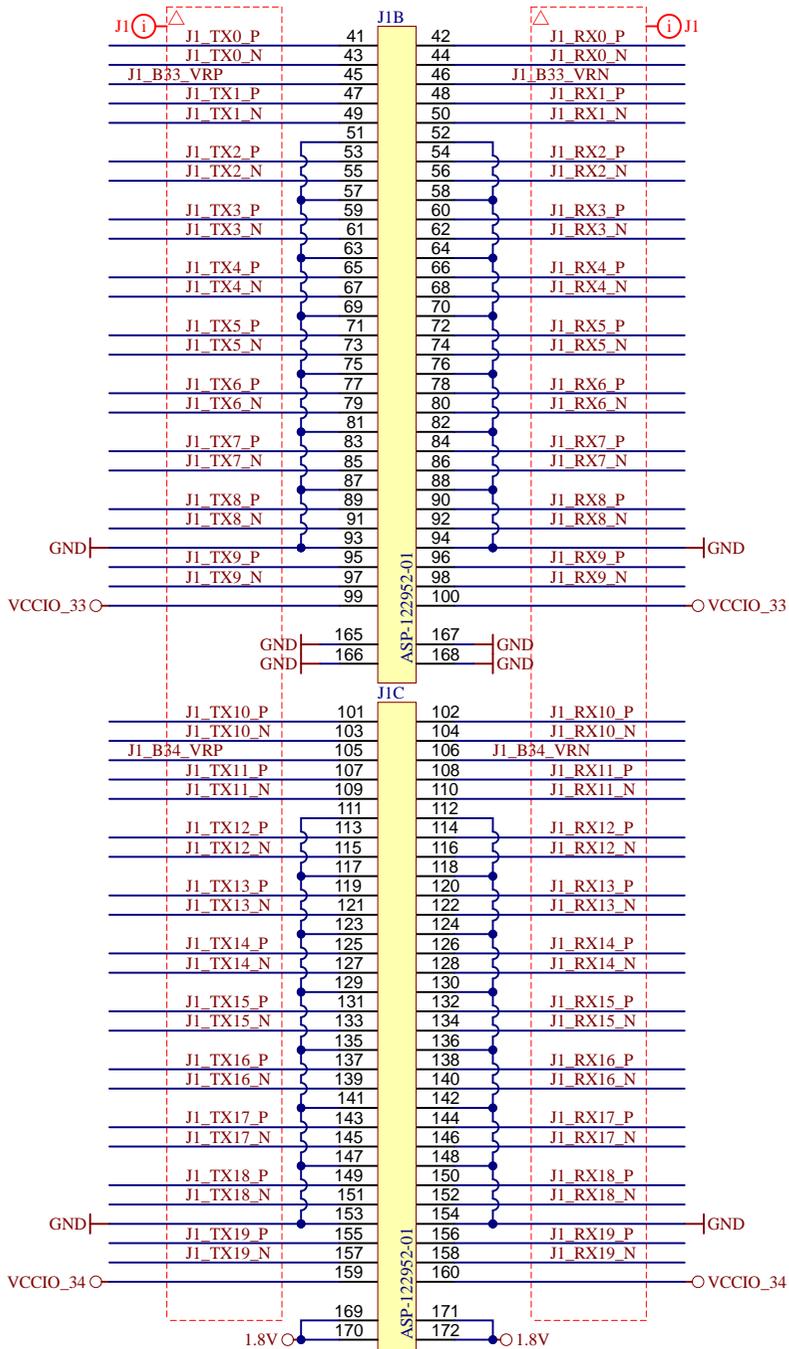
4

1

2

3

4



Title: TE0782 - HSMC_Connector_J1		
A4	Number: TE0782 82133MA	Rev. 02
Date: 2015-05-27	Copyright: Trenz Electronic GmbH	Page3 of 31
Filename: HSMC_CONN_J1.SchDoc		

1

2

3

4

1

2

3

4

A

A

B

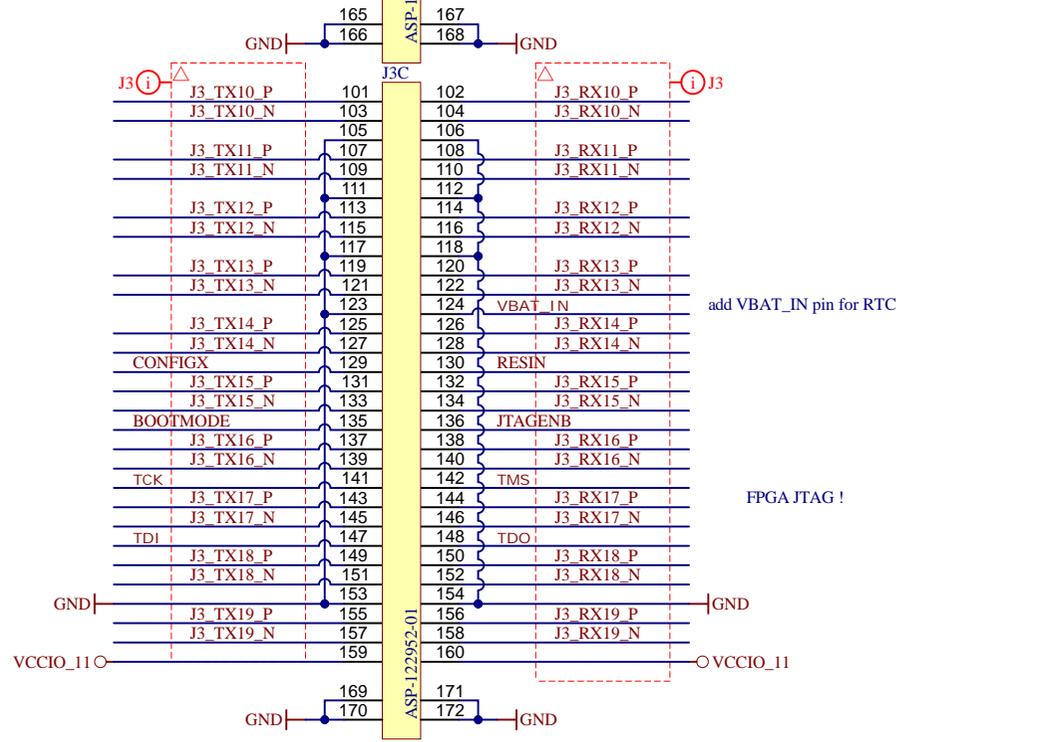
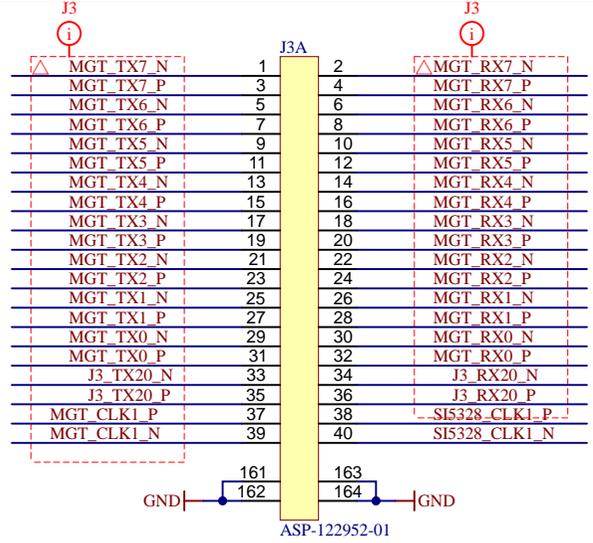
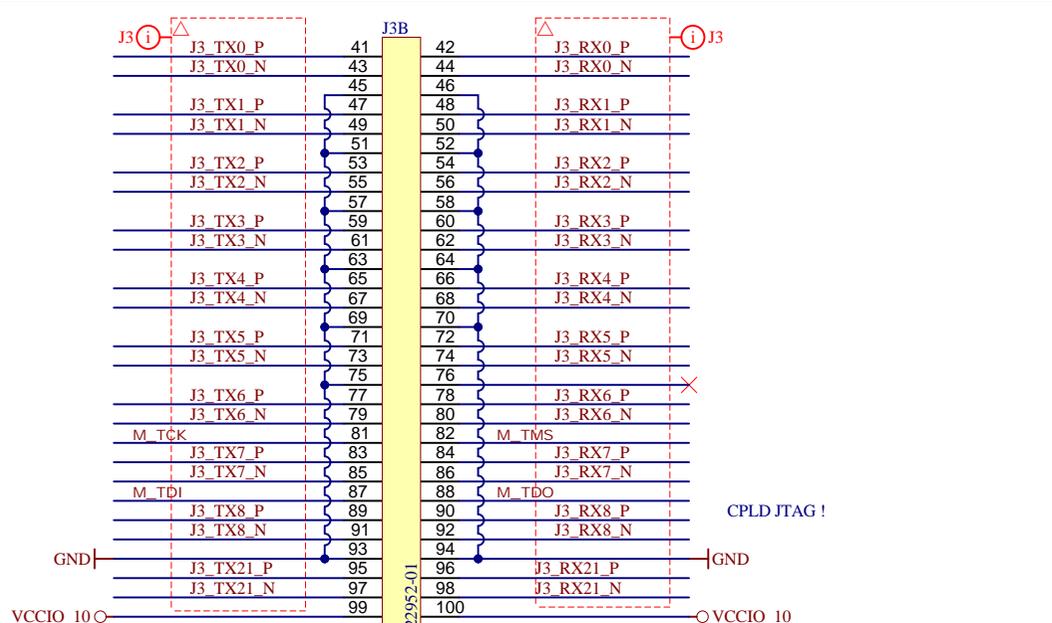
B

C

C

D

D



Title: TE0782 - HSMC_Connector_J3		
A4	Number: TE0782 82I33MA	Rev. 02
Date: 2015-05-27	Copyright: Trenz Electronic GmbH	Page 4 of 31
Filename: HSMC_CONN_J3.SchDoc		

1

2

3

4

1

2

3

4

A

A

B

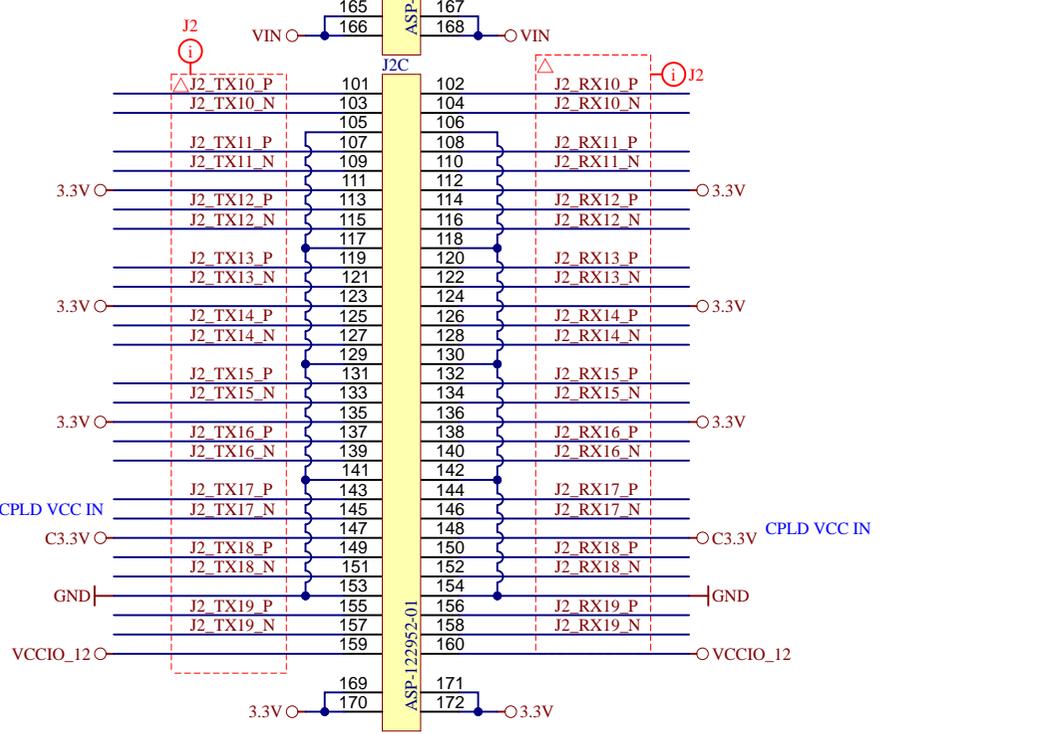
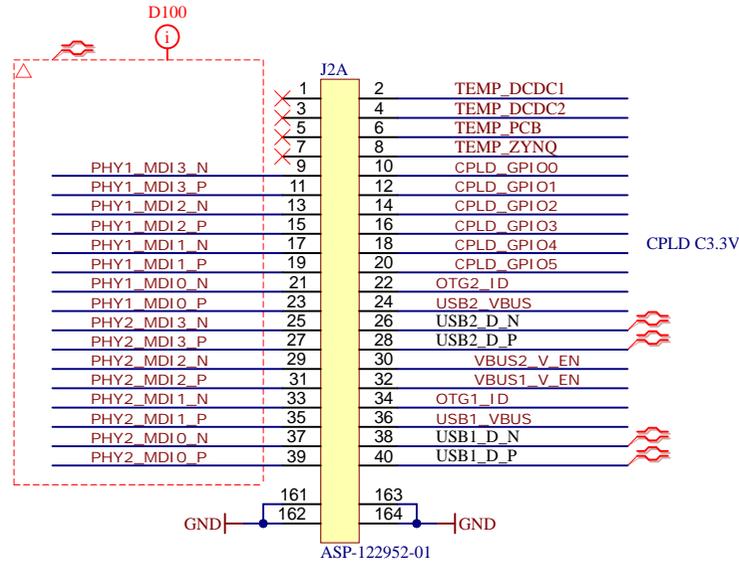
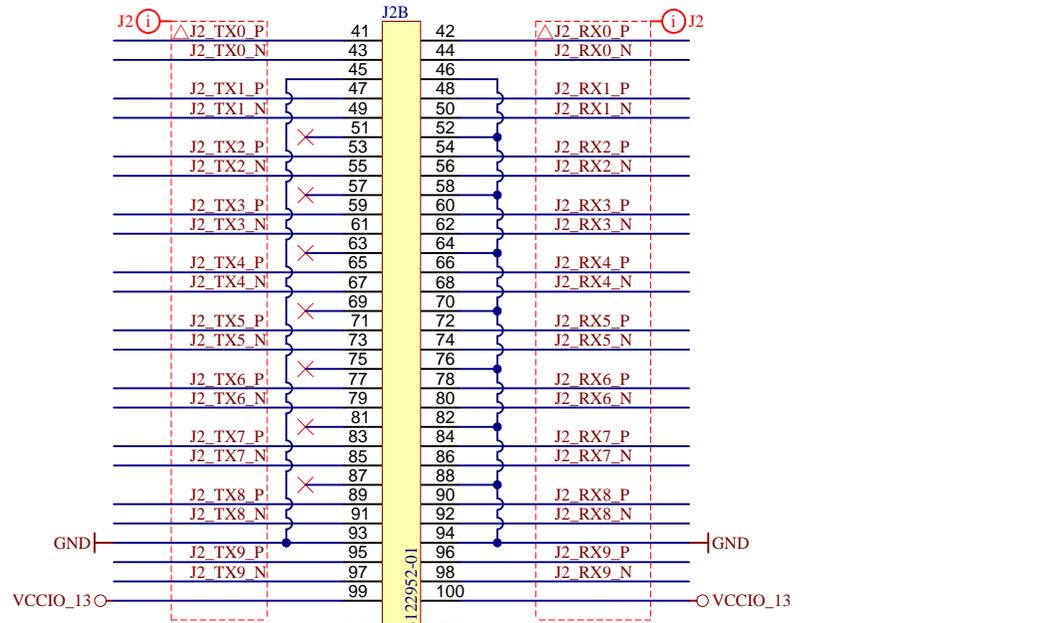
B

C

C

D

D



Title: TE0782 - HSMC_Connector_J2		
A4	Number: TE0782 82I33MA	Rev. 02
Date: 2015-05-27	Copyright: Trenz Electronic GmbH	Page5 of 31
Filename: HSMC_CONN_J2.SchDoc		

1

2

3

4

1

2

3

4

A

A

U_PS-DDR
PS-DDR.SchDoc



U_B9
B9.SchDoc



U_MIO-BANKS
MIO-BANKS.SchDoc



U_B10
B10.SchDoc



U_HP-BANKS
HP-BANKS.SchDoc



U_B11
B11.SchDoc



B

B

U_FPGA-MGT
FPGA-MGT.SchDoc



U_B12
B12.SchDoc



U_FPGA-CFG
FPGA-CFG.SchDoc



U_B13
B13.SchDoc



C

C

U_FPGA-PWR
FPGA-PWR.SchDoc



D

D

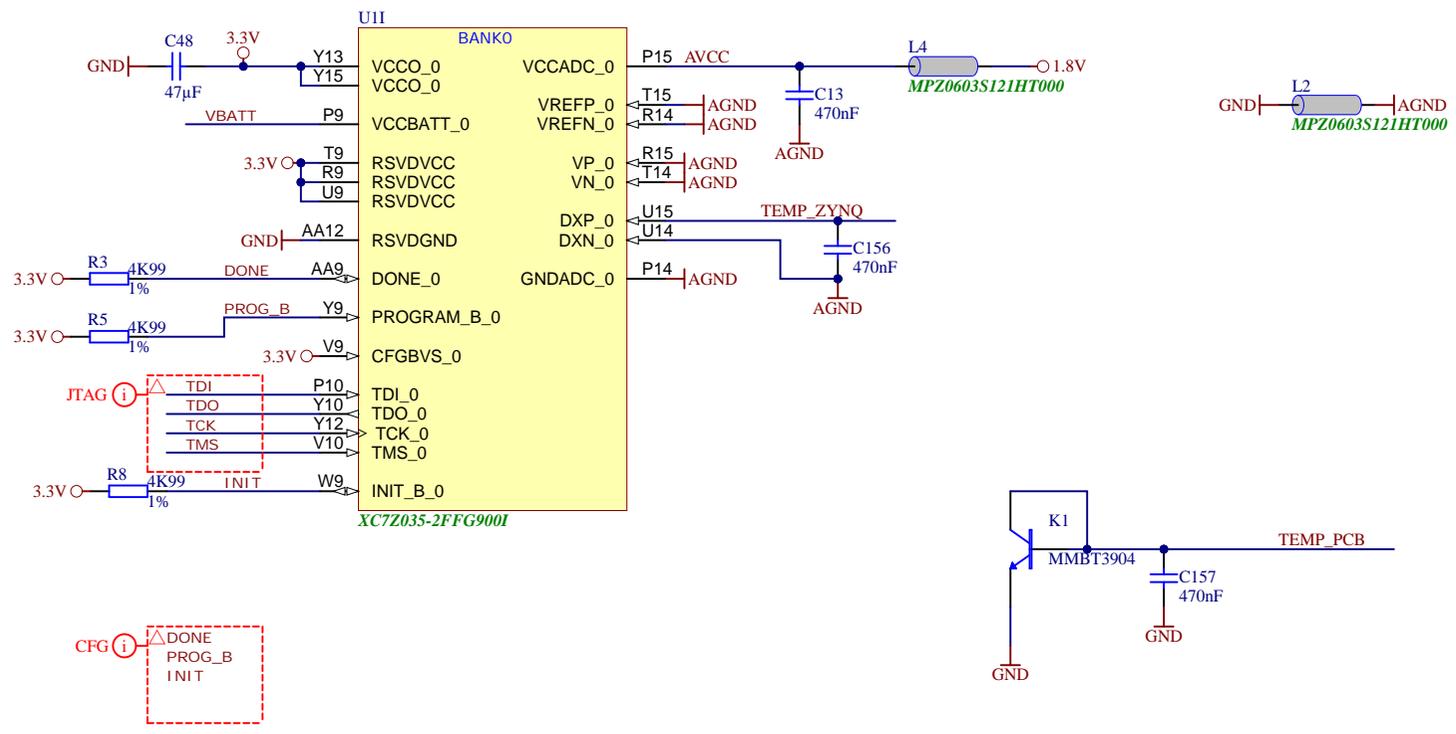
			Title: TE0782 - SOC	
			A4	Number: TE0782 82I33MA
Date: 2015-05-27		Copyright: Trenz Electronic GmbH		Page6 of 31
Filename: SOC.SchDoc				

1

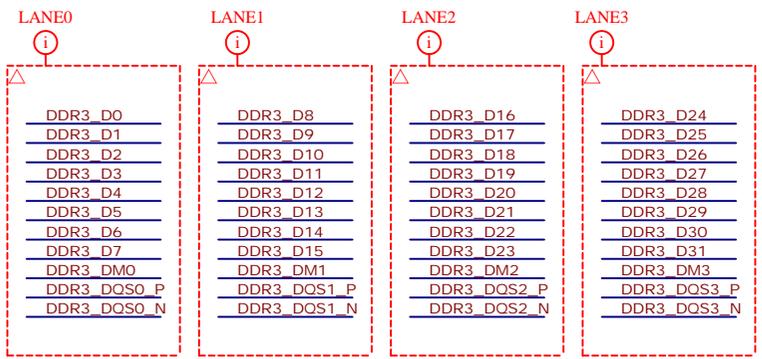
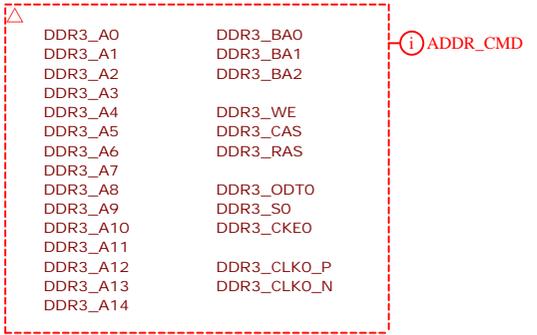
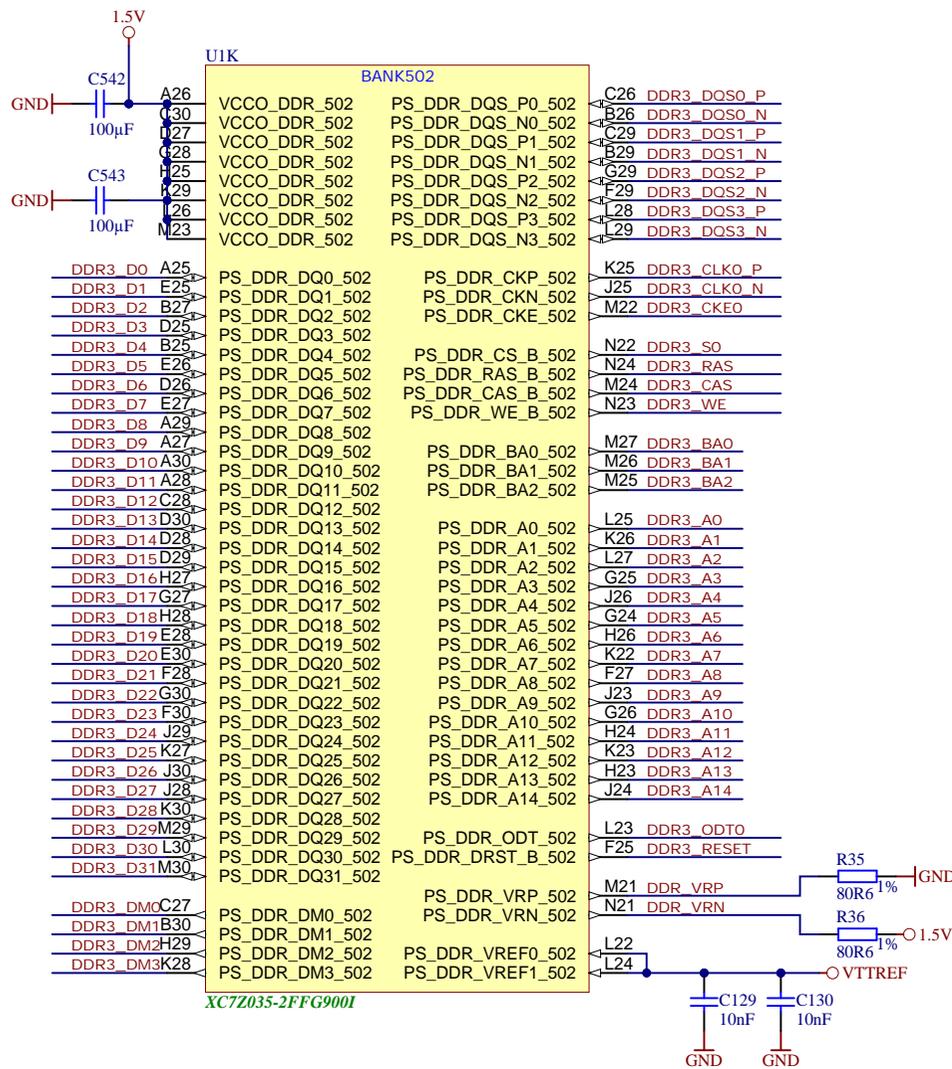
2

3

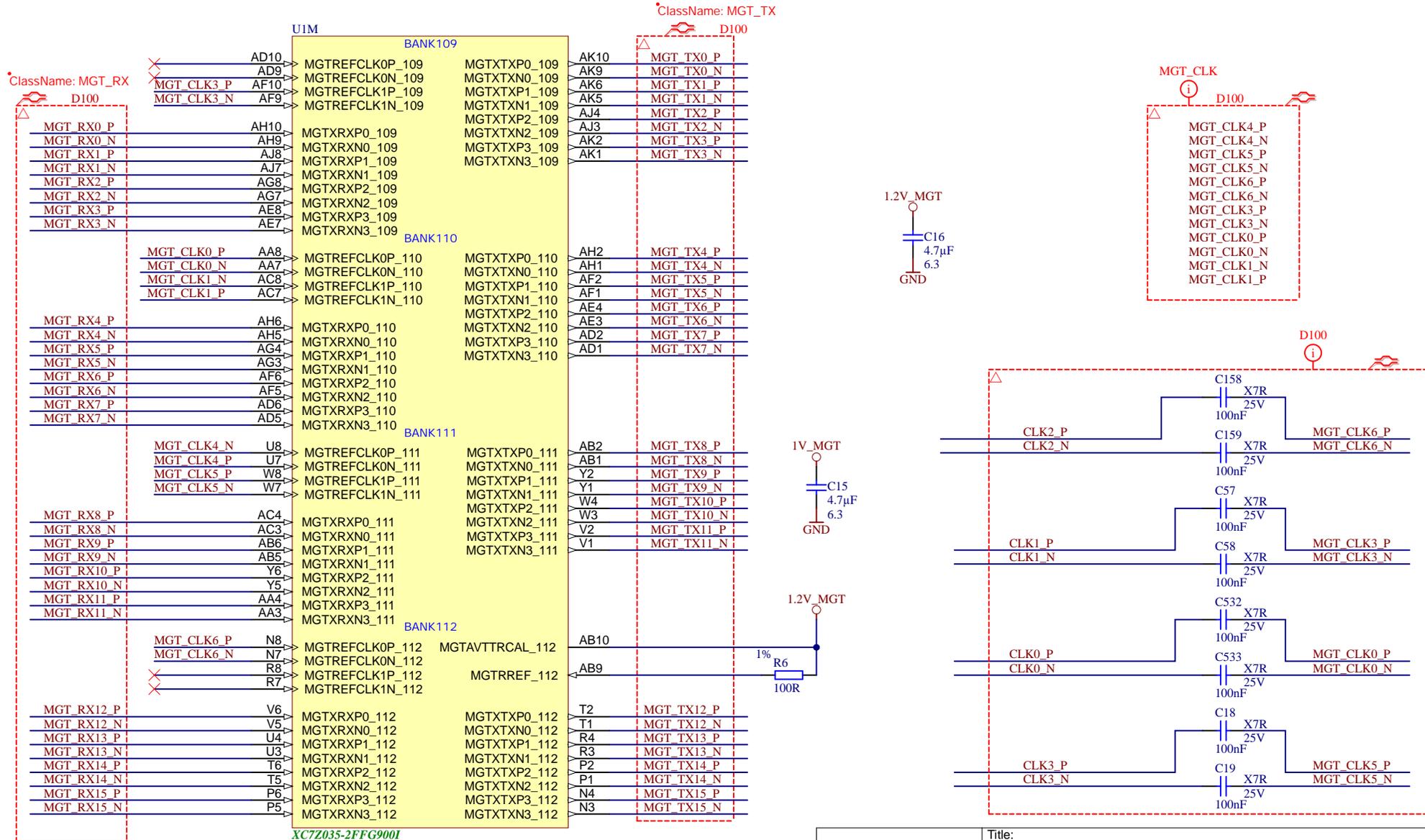
4



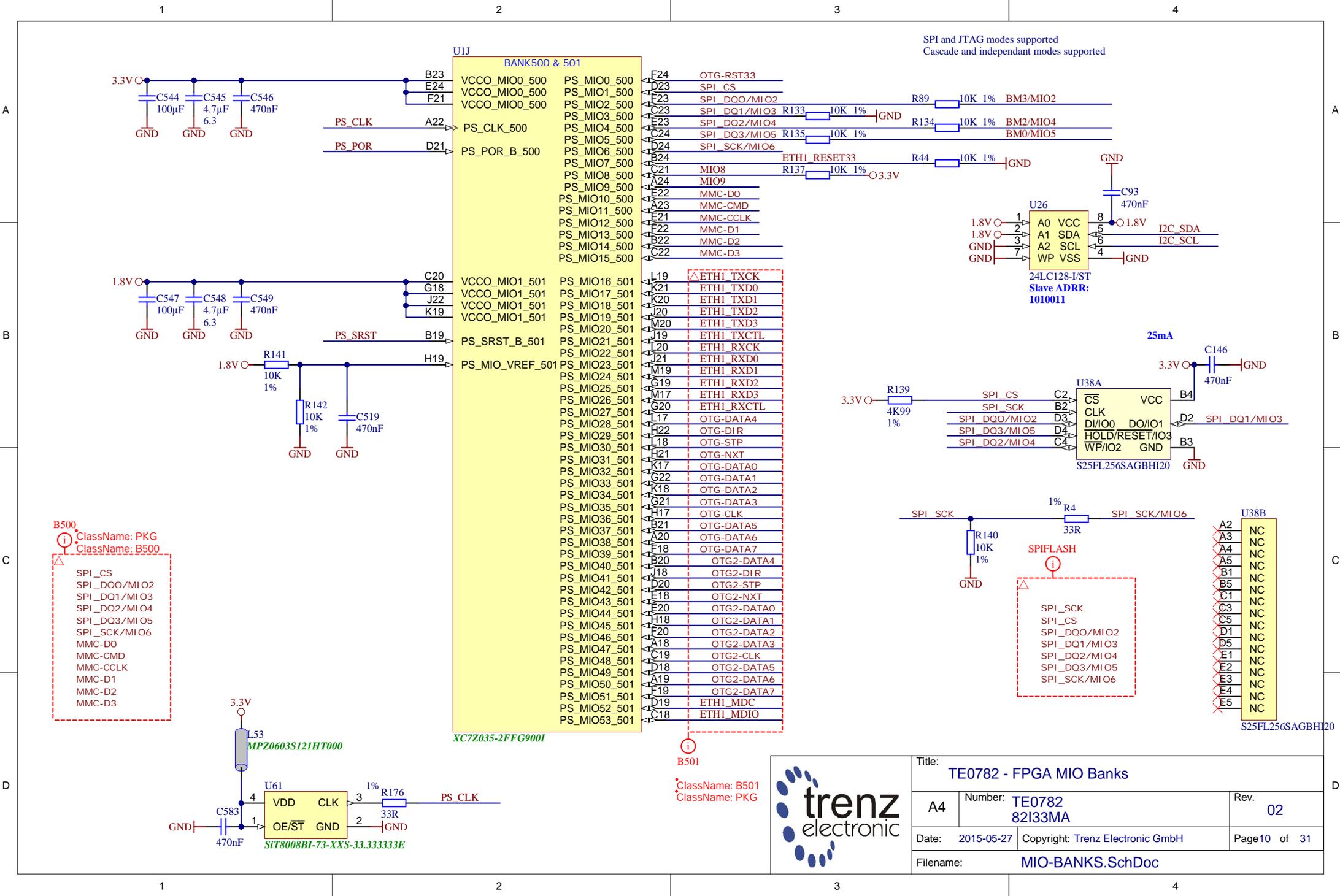
	Title: TE782 - FPGA Configuration		
	A4	Number: TE0782 82I33MA	Rev. 02
	Datum: 2015-05-27	Zeichner: Trenz Electronic GmbH	Blatt 7 von 31
	Filename: FPGA-CFG.SchDoc		



		Title: TE0782 - FPGA DDR Banks	
		A4	Number: TE0782 82I33MA
Date: 2015-05-27		Copyright: Trenz Electronic GmbH	
Filename: PS-DDR.SchDoc		Page 8 of 31	



Title: TE0782 - FPGA MGT		
A4	Number: TE0782 82I33MA	Rev. 02
Date: 2015-05-27	Copyright: Trenz Electronic GmbH	
Page 9 of 31		Filename: FPGA-MGT.SchDoc

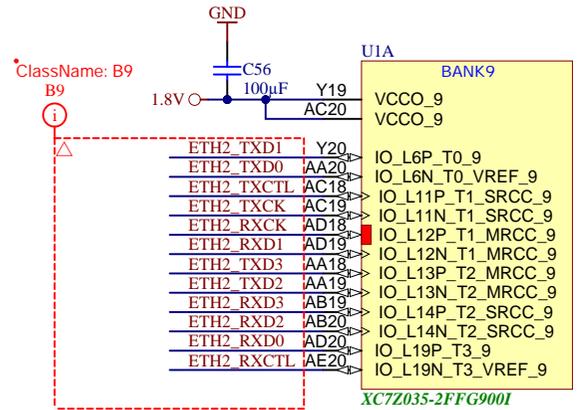


Title: TE0782 - FPGA MIO Banks		
A4	Number: TE0782 82133MA	Rev. 02
Date: 2015-05-27	Copyright: Trenz Electronic GmbH	Page 10 of 31
Filename: MIO-BANKS.SchDoc		

- B500**
- ClassName: PKG
 - ClassName: B500
 - SPI_CS
 - SPI_DQ0/MIO2
 - SPI_DQ1/MIO3
 - SPI_DQ2/MIO4
 - SPI_DQ3/MIO5
 - SPI_SCK/MIO6
 - MMC-D0
 - MMC-CMD
 - MMC-CCLK
 - MMC-D1
 - MMC-D2
 - MMC-D3

- SPIFLASH**
- SPI_SCK
 - SPI_CS
 - SPI_DQ0/MIO2
 - SPI_DQ1/MIO3
 - SPI_DQ2/MIO4
 - SPI_DQ3/MIO5
 - SPI_SCK/MIO6

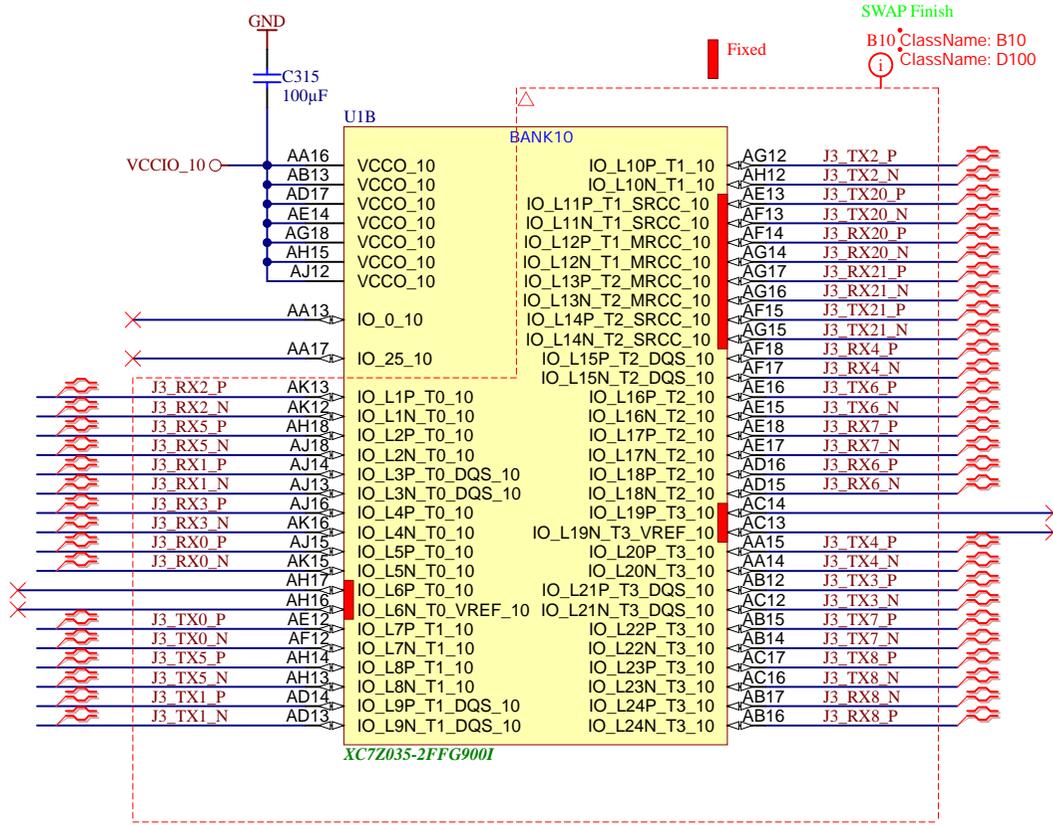
- U38B**
- A2 NC
 - A3 NC
 - A4 NC
 - A5 NC
 - B1 NC
 - B5 NC
 - C1 NC
 - C3 NC
 - C5 NC
 - D1 NC
 - D5 NC
 - E1 NC
 - E2 NC
 - E3 NC
 - E4 NC
 - E5 NC



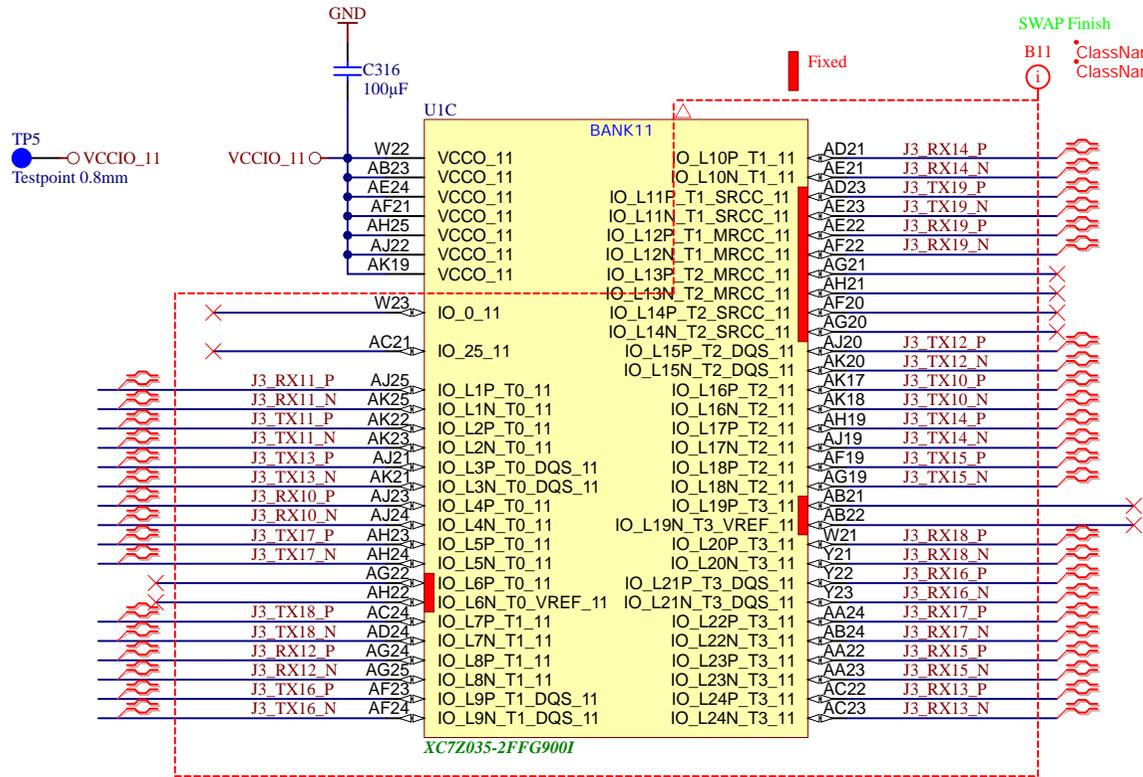
RXCK Fix to MRCCL
 Fixed

			Title: TE0782 - FPGA B9	
			A4	Number: TE0782 82I33MA
Date: 2015-05-27		Copyright: Trenz Electronic GmbH		Page 11 of 31
Filename: B9.SchDoc				

TP4
 ●—○ VCCIO_10
 Testpoint 0.8mm

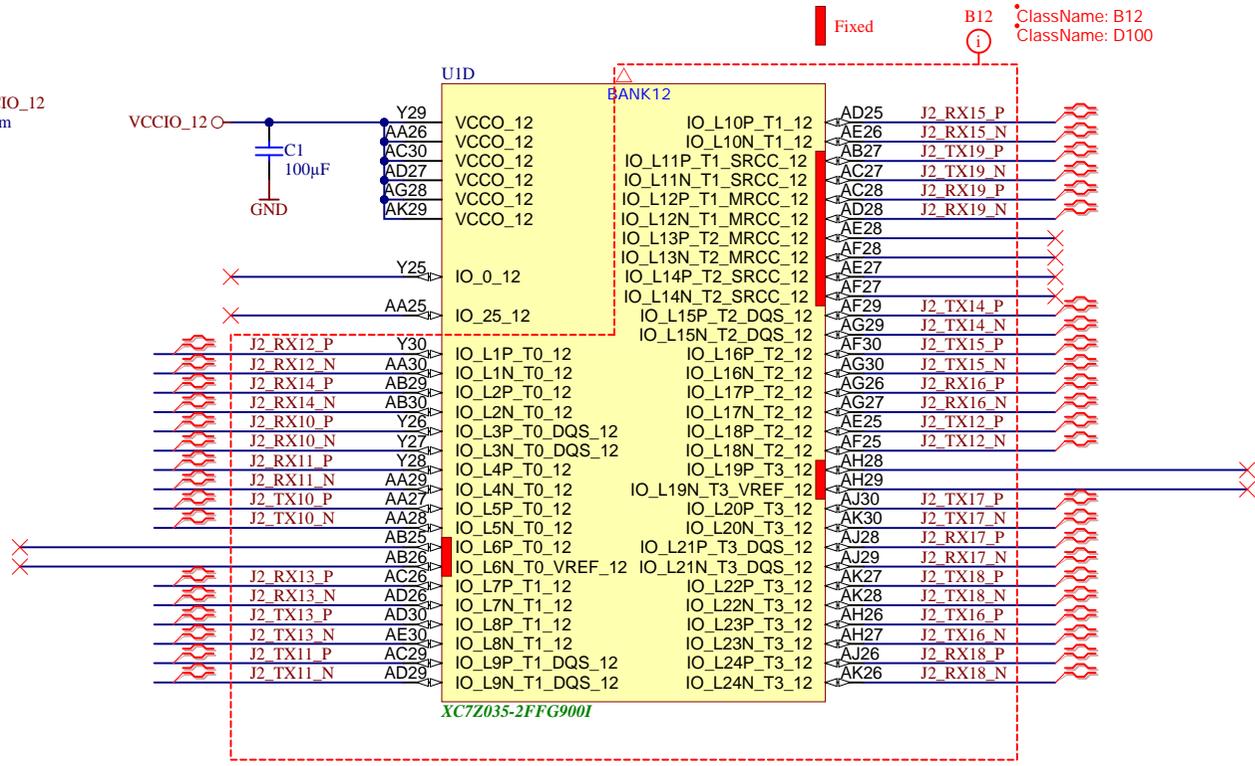


	Title: TE0782 - FPGA B10		
	A4	Number: TE0782 82I33MA	Rev. 02
	Date: 2015-05-27	Copyright: Trenz Electronic GmbH	Page 12 of 31
	Filename: B10.SchDoc		

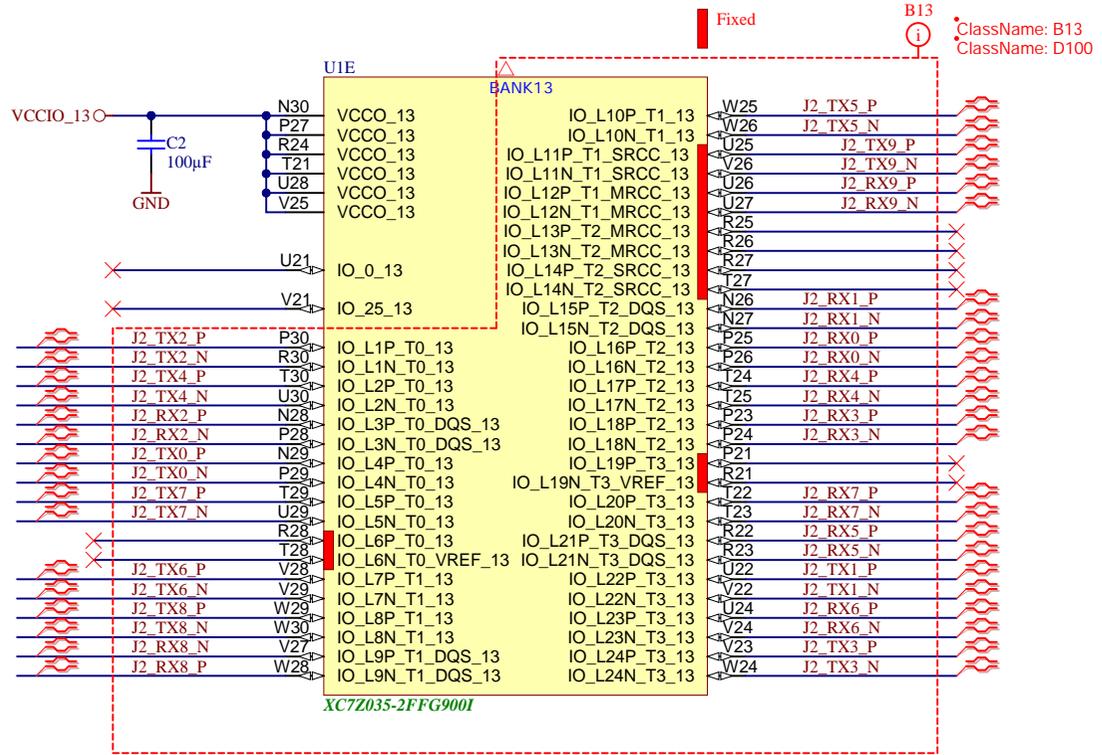


Title: TE0782 - FPGA B11		
A4	Number: TE0782 82I33MA	Rev. 02
Date: 2015-05-27	Copyright: Trenz Electronic GmbH	Page13 of 31
Filename: B11.SchDoc		

TP1
 VCCIO_12
 Testpoint 0.8mm



Title: TE0782 - FPGA B12		
A4	Number: TE0782 82I33MA	Rev. 02
Date: 2015-05-27	Copyright: Trenz Electronic GmbH	Page 14 of 31
Filename: B12.SchDoc		



			Title: TE0782 - FPGA B13	
			A4	Number: TE0782 82I33MA
Date: 2015-05-27		Copyright: Trenz Electronic GmbH		Page15 of 31
Filename: B13.SchDoc				

1

2

3

4

U_B33
B33.SchDoc



U_B34
B34.SchDoc



U_B35
B35.SchDoc



A

A

B

B

C

C

D

D

1

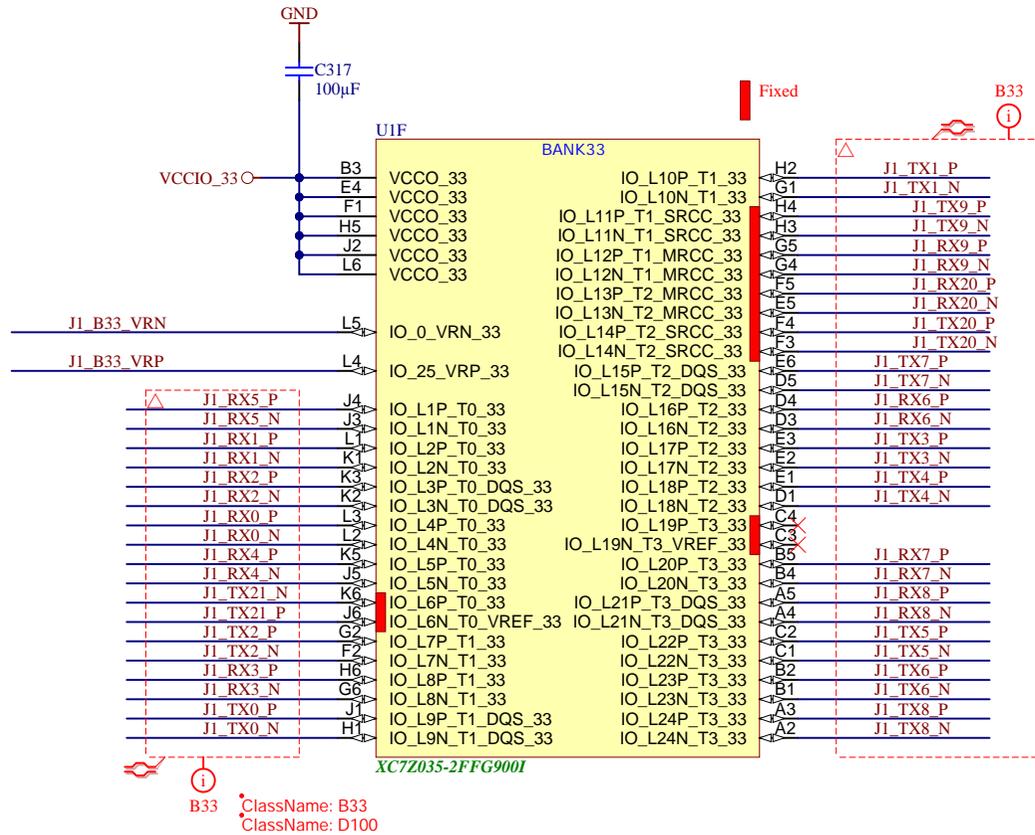
2

3

4

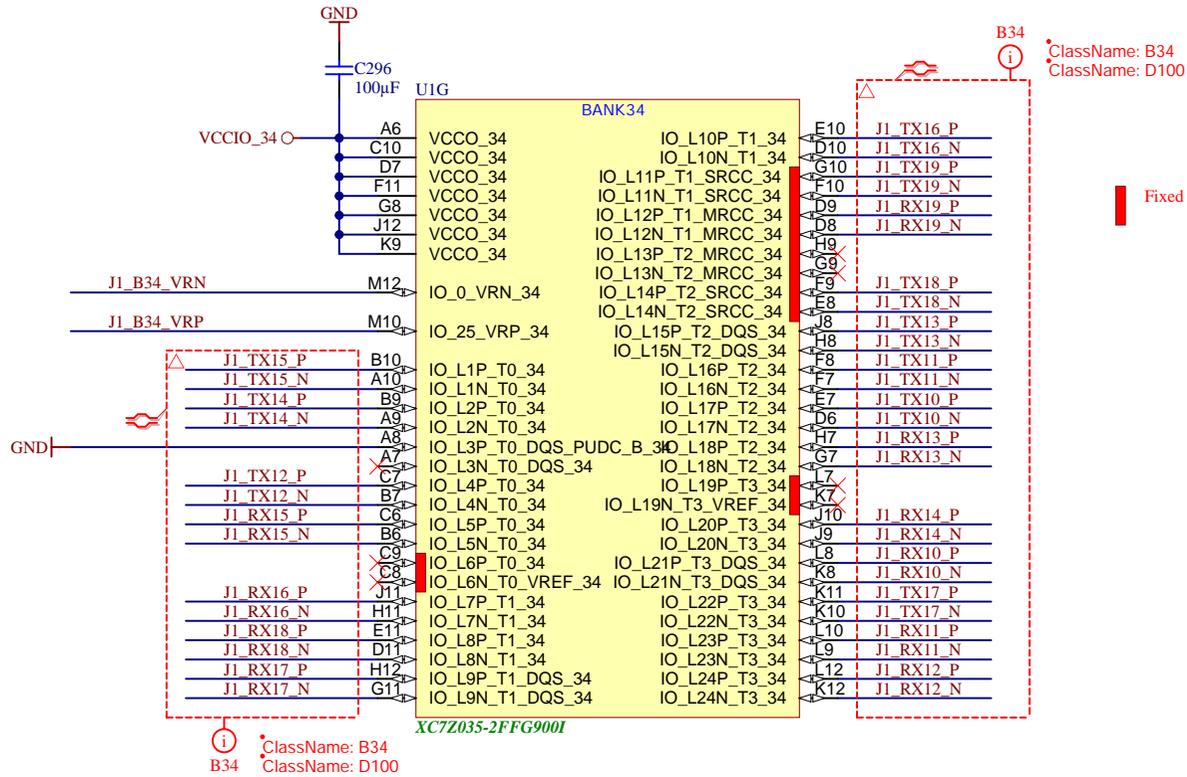
	Title: TES0782 - FPGA HP Banks		
	A4	Number: TE0782 82I33MA	Rev. 02
	Date: 2015-05-27	Copyright: Trenz Electronic GmbH	Page 16 of 31
	Filename: HP-BANKS.SchDoc		

TP6
 VCCIO_33
 Testpoint 0.8mm

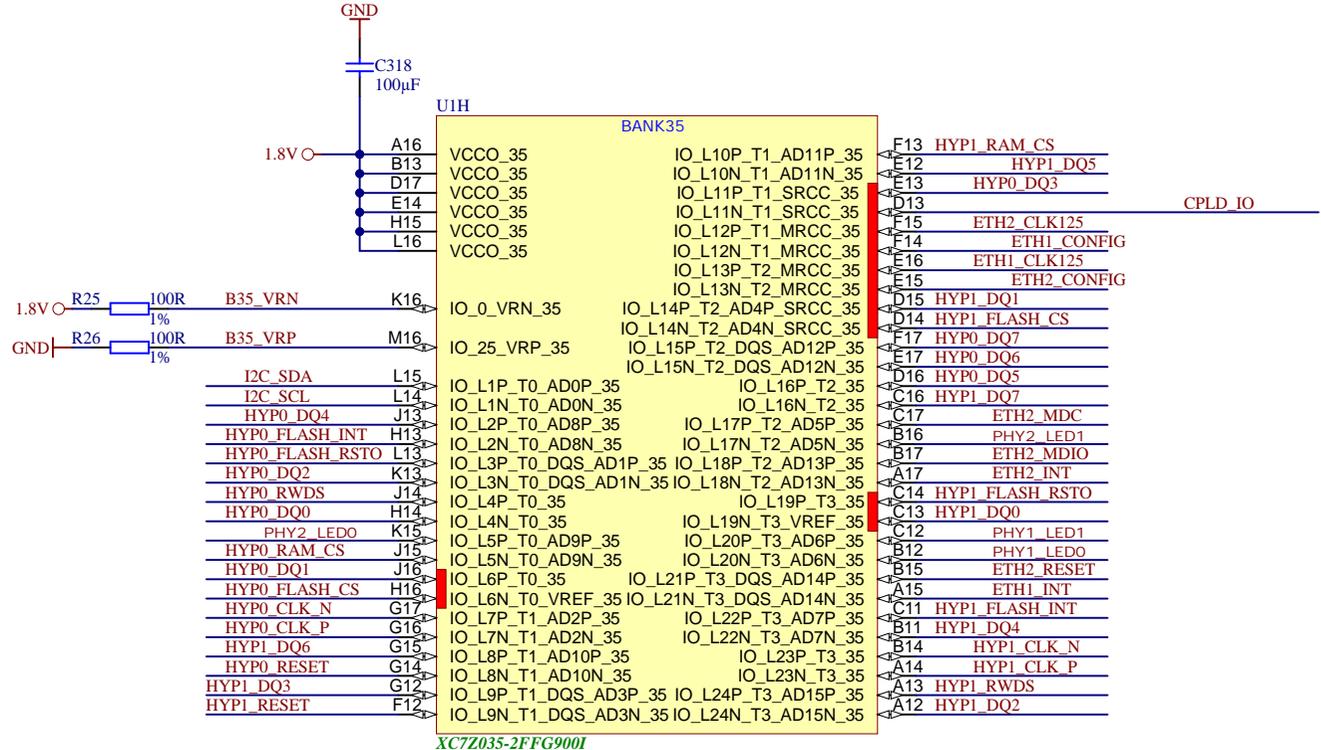


	Title: TE0782 - FPGA B33	
	A4	Number: TE0782 82I33MA
	Date: 2015-05-27	Copyright: Trenz Electronic GmbH
	Filename: B33.SchDoc	
	Rev. 02	Page 17 of 31

TP3
 VCCIO_34
 Testpoint 0.8mm



Title: TE0782 - FPGA B34		
A4	Number: TE0782 82I33MA	Rev. 02
Date: 2015-05-27	Copyright: Trenz Electronic GmbH	Page 18 of 31
Filename: B34.SchDoc		

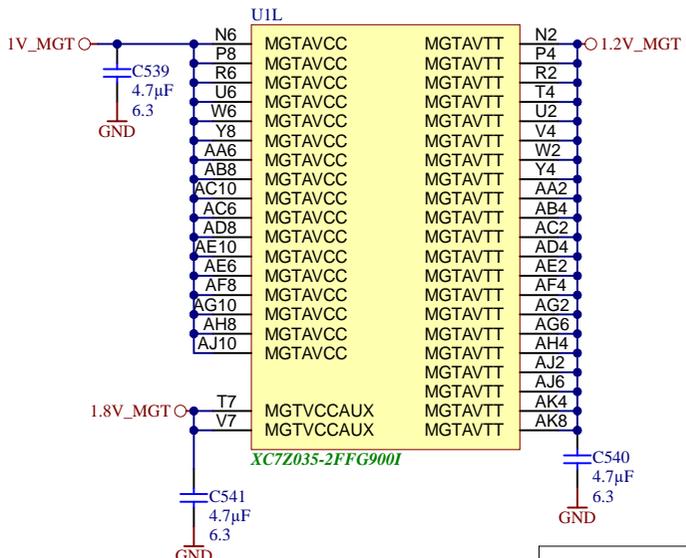
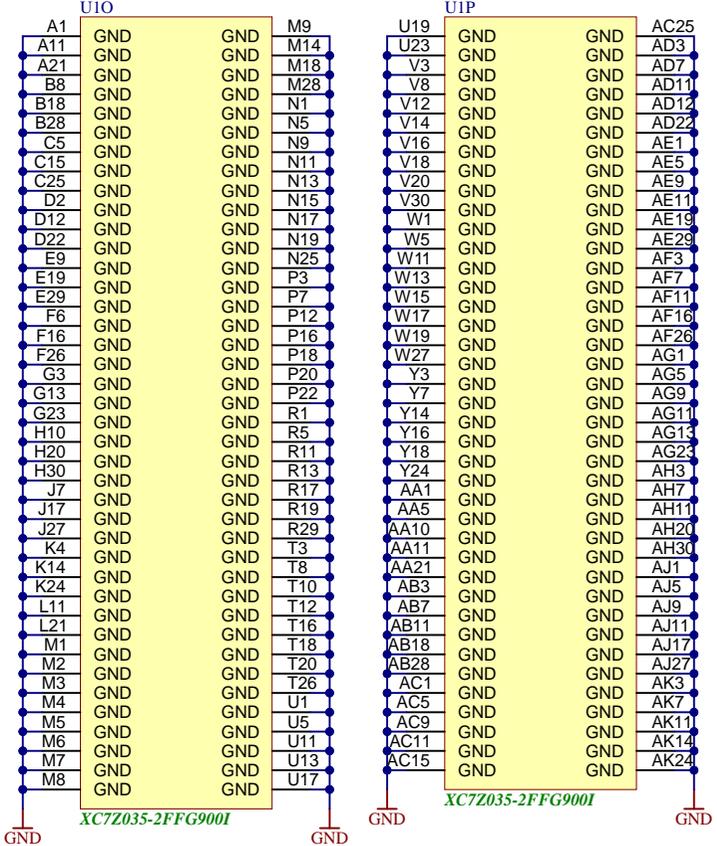
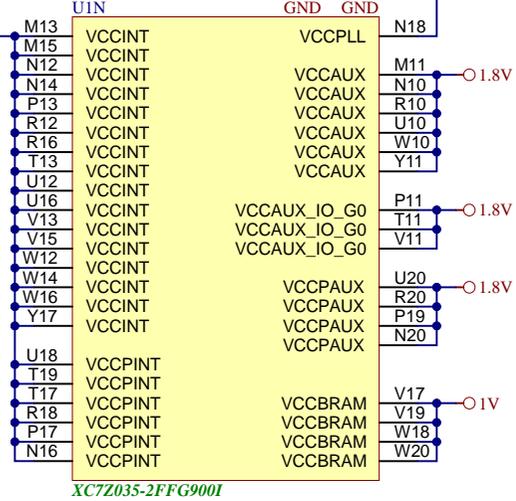
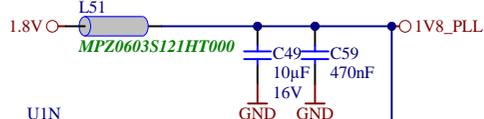
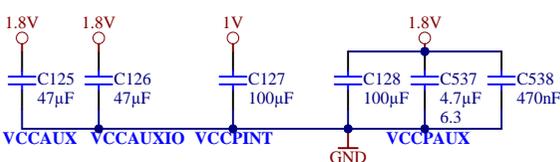
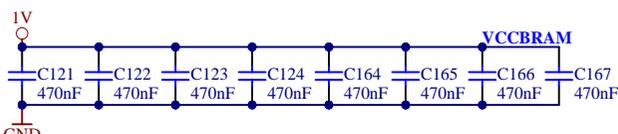
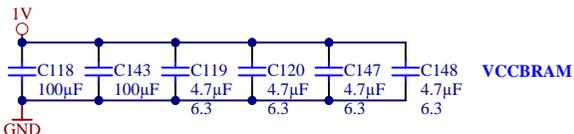
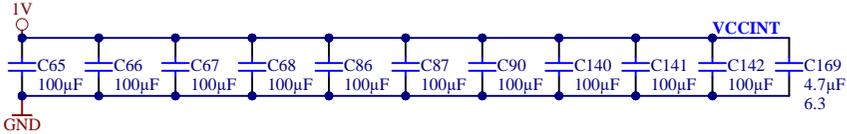
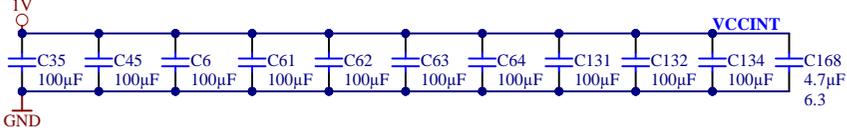


XC7Z035-2FFG9001

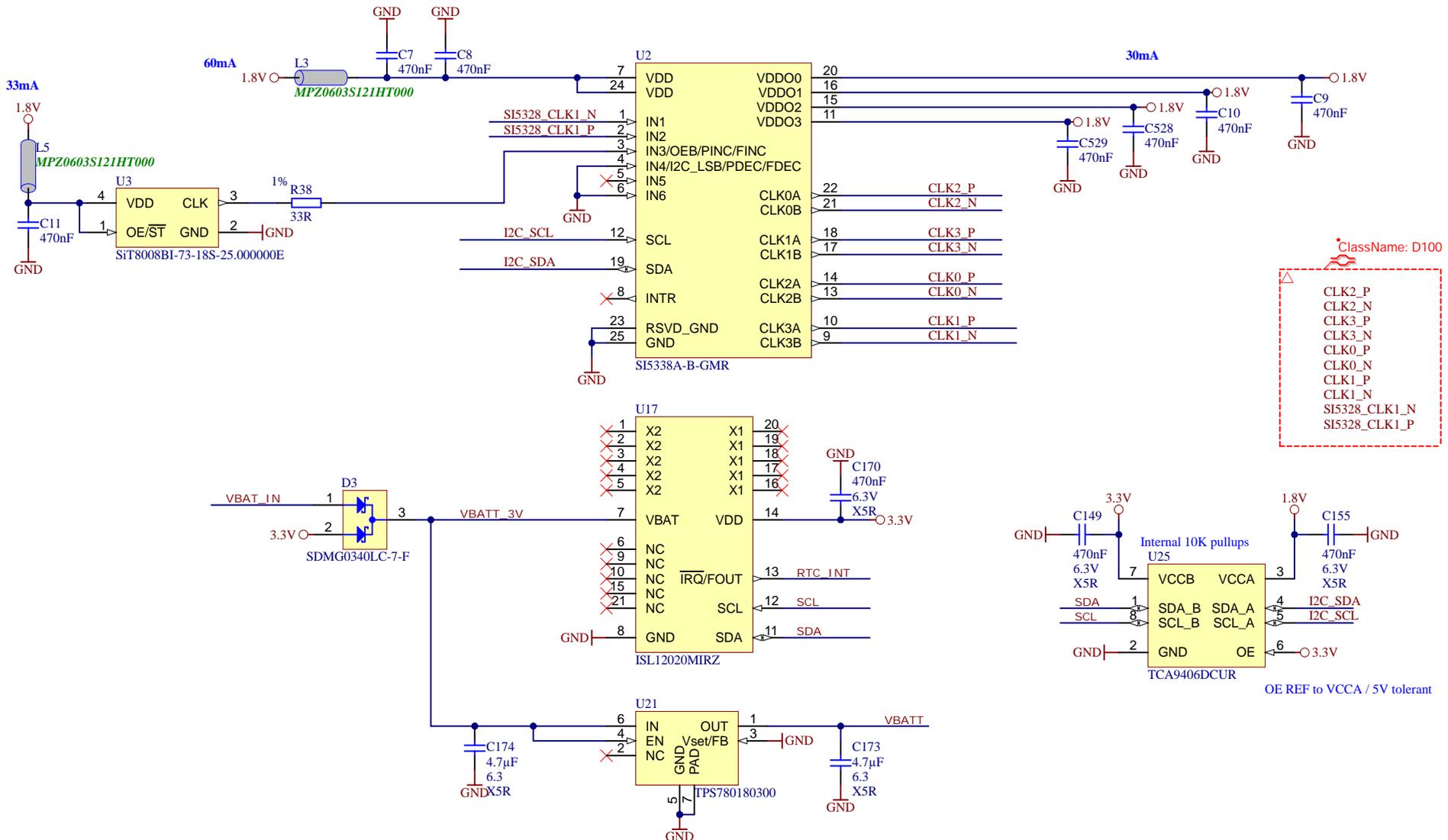


Title: TE0782 - FPGA B35		
A4	Number: TE0782 82I33MA	Rev. 02
Date: 2015-05-27	Copyright: Trenz Electronic GmbH	Page 19 of 31
Filename: B35.SchDoc		

Capacitors suitable for XC7Z100



Title: TE0782 - ZYNQ POWER		
A4	Number: TE0782 82I33MA	Rev. 02
Date: 2015-05-27	Copyright: Trenz Electronic GmbH	
Page 20 of 31		
Filename: FPGA-PWR.SchDoc		



ClassName: D100

- CLK2_P
- CLK2_N
- CLK3_P
- CLK3_N
- CLK0_P
- CLK0_N
- CLK1_P
- CLK1_N
- SI5328_CLK1_N
- SI5328_CLK1_P

OE REF to VCCA / 5V tolerant



Title: TE0782 - Clock		
A4	Number: TE0782 82133MA	Rev. 02
Date: 2015-05-27	Copyright: Trenz Electronic GmbH	Page21 of 31
Filename: Clock.SchDoc		

A

A

B

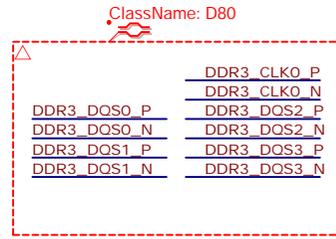
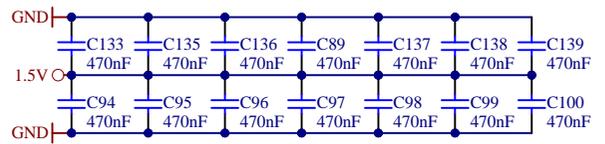
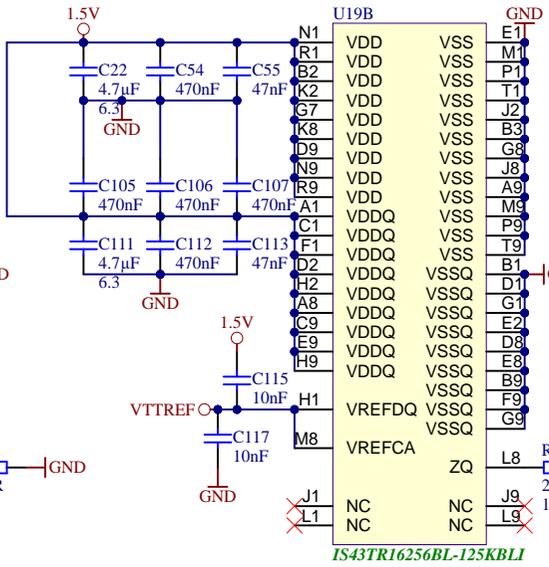
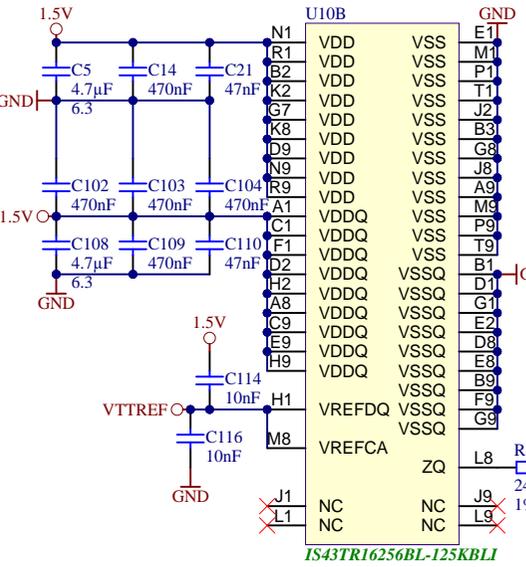
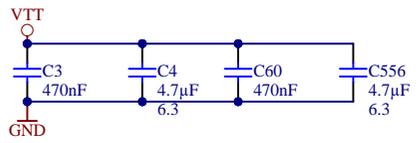
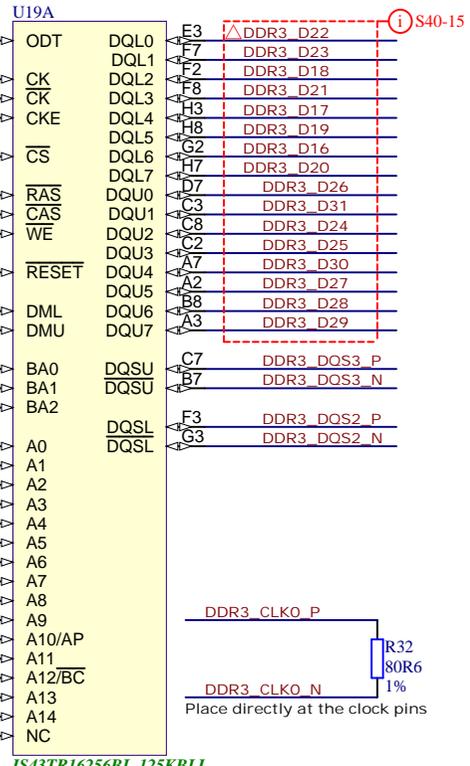
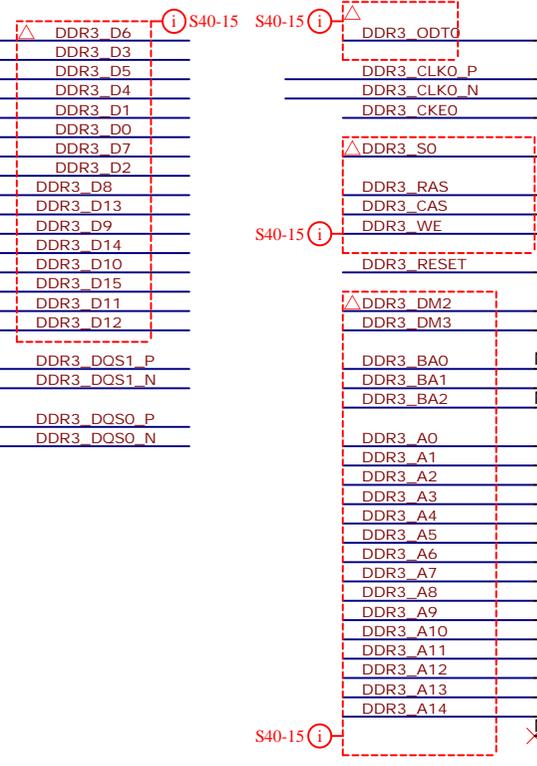
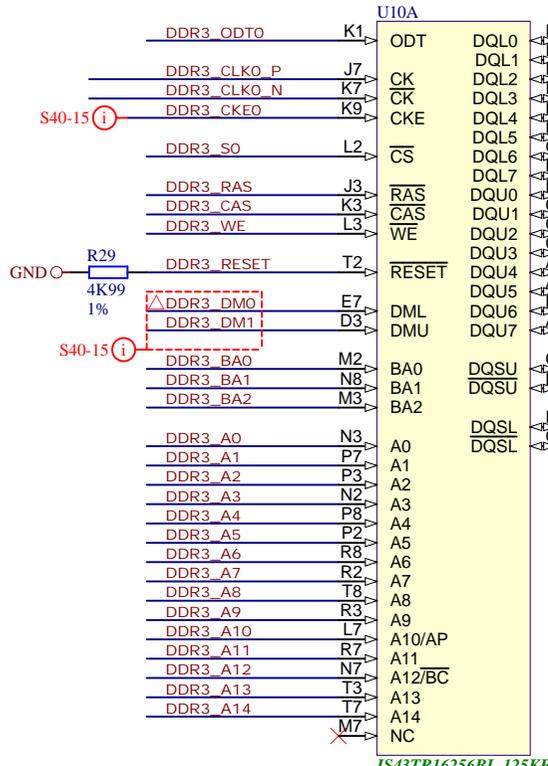
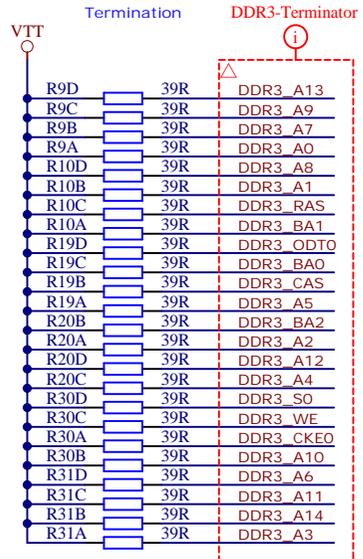
B

C

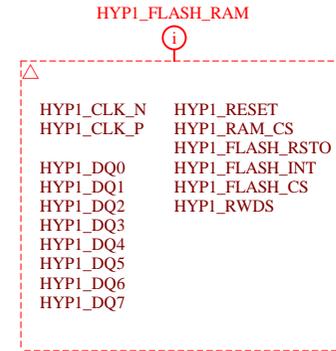
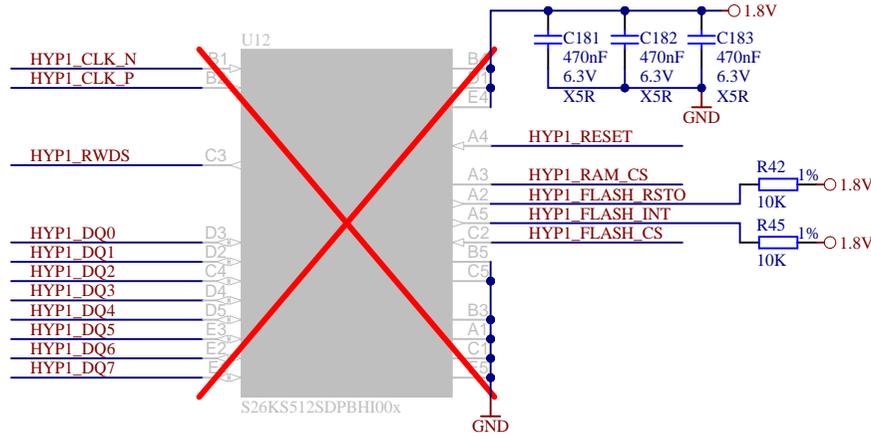
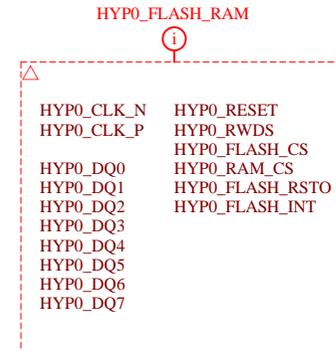
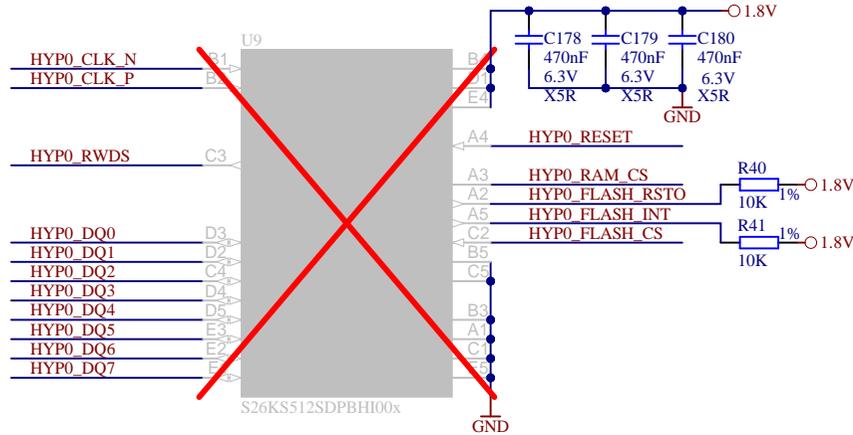
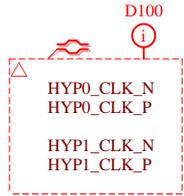
C

D

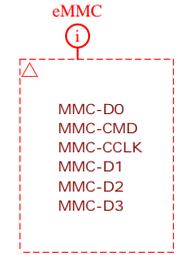
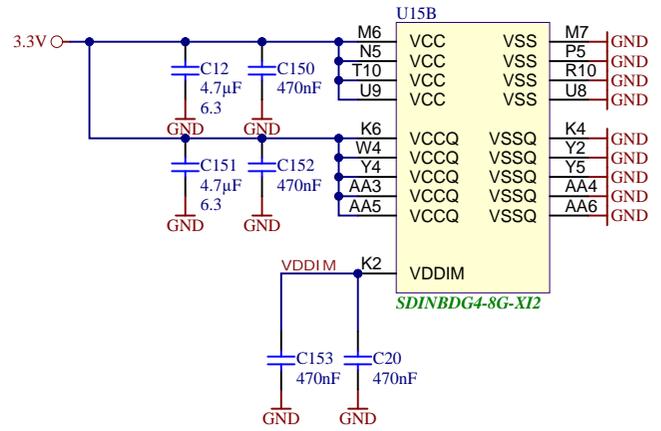
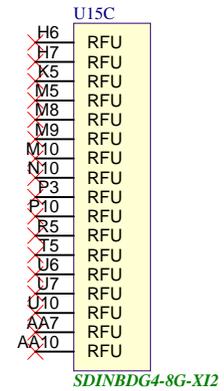
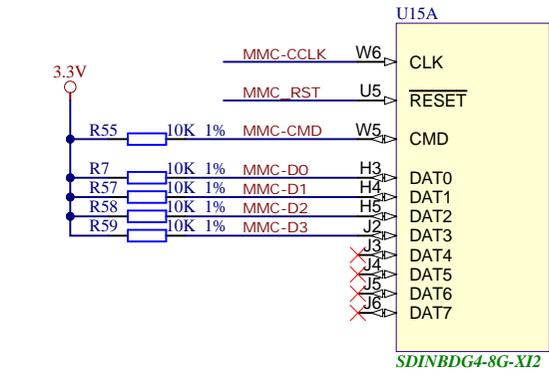
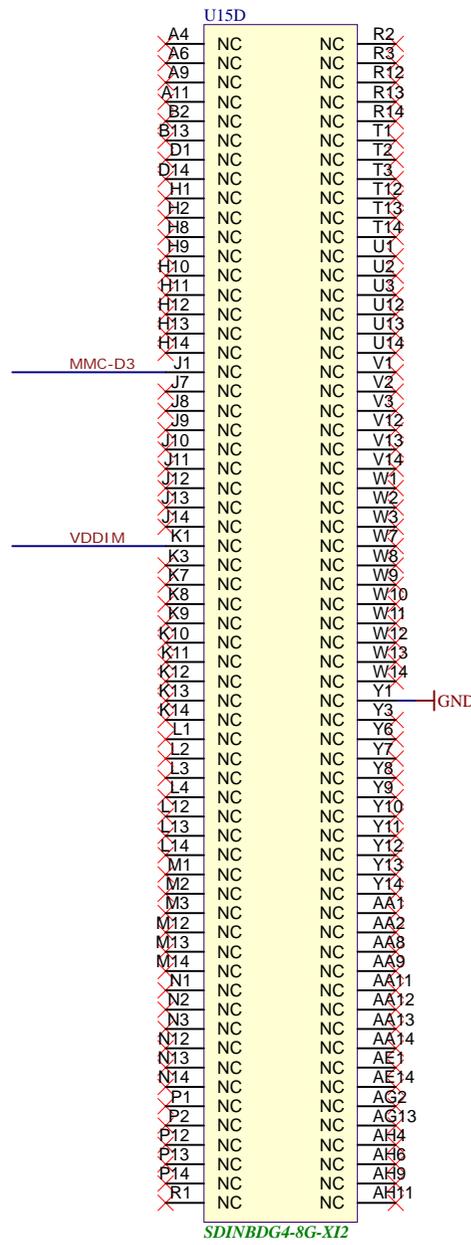
D



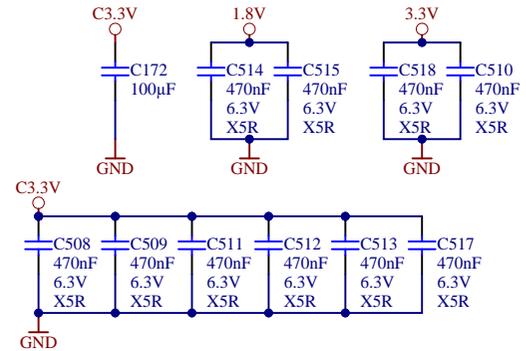
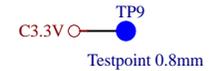
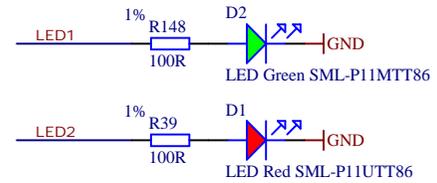
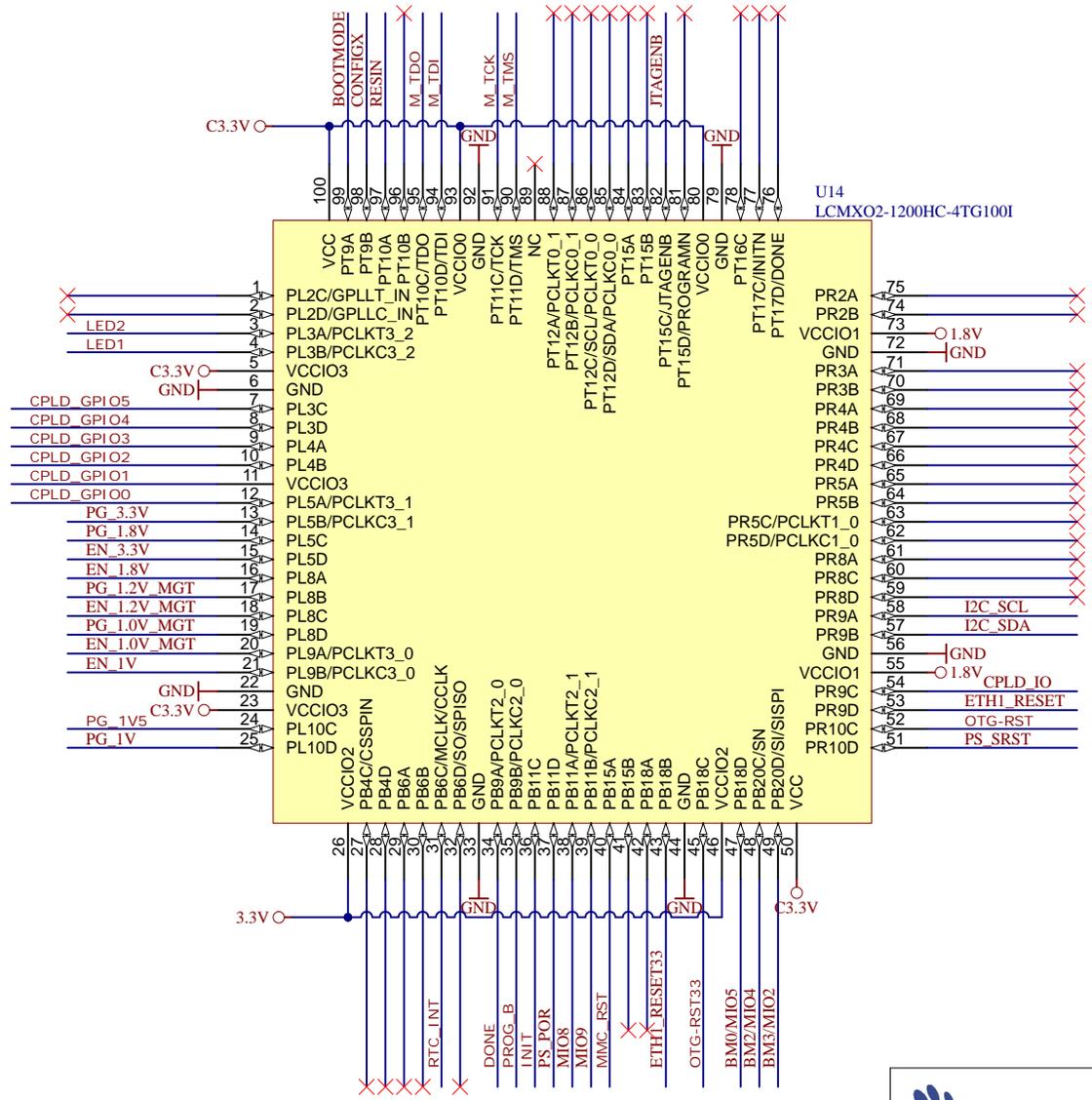
Title: TE0782 - DDR3 RAM		
A4	Number: TE0782 82133MA	Rev. 02
Date: 2015-05-27	Copyright: Trenz Electronic GmbH	Page 22 of 31
Filename: DDR3-RAM.SchDoc		



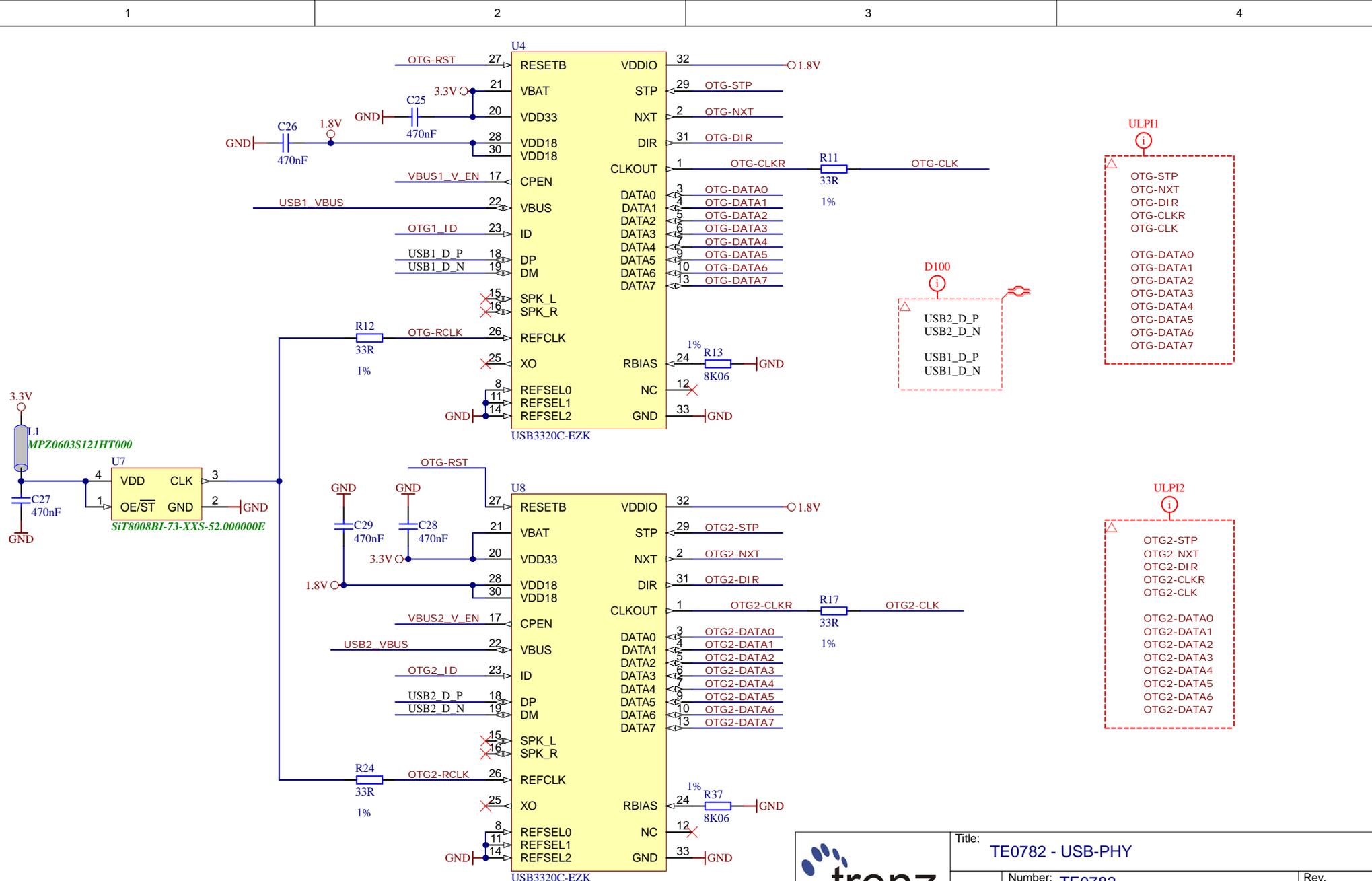

Title: TE0782 - HyperFlash_RAM		
A4	Number: TE0782 82I33MA	Rev. 02
Date: 2015-05-27	Copyright: Trenz Electronic GmbH	Page23 of 31
Filename: HyperFlash_RAM.SchDoc		



Title: TE0782 - eMMC		
A4	Number: TE0782 82I33MA	Rev. 02
Date: 2015-05-27	Copyright: Trenz Electronic GmbH	Page24 of 31
Filename: eMMC.SchDoc		



Title: TE0782 - CPLD		
A4	Number: TE0782 82I33MA	Rev. 02
Date: 2015-05-27	Copyright: Trenz Electronic GmbH	
Filename: CPLD.SchDoc		Page 25 of 31



			Title: TE0782 - USB-PHY	
			A4	Number: TE0782 82I33MA
Date: 2015-05-27		Copyright: Trenz Electronic GmbH		Page 26 of 31
Filename: USB-PHY.SchDoc				

1

2

3

4

1

2

3

4

1

2

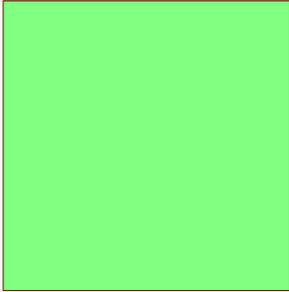
3

4

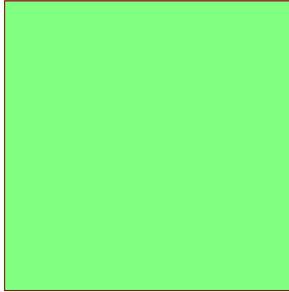
A

A

U_ETH1
ETH1.SchDoc



U_ETH2
ETH2.SchDoc



B

B

C

C

D

D



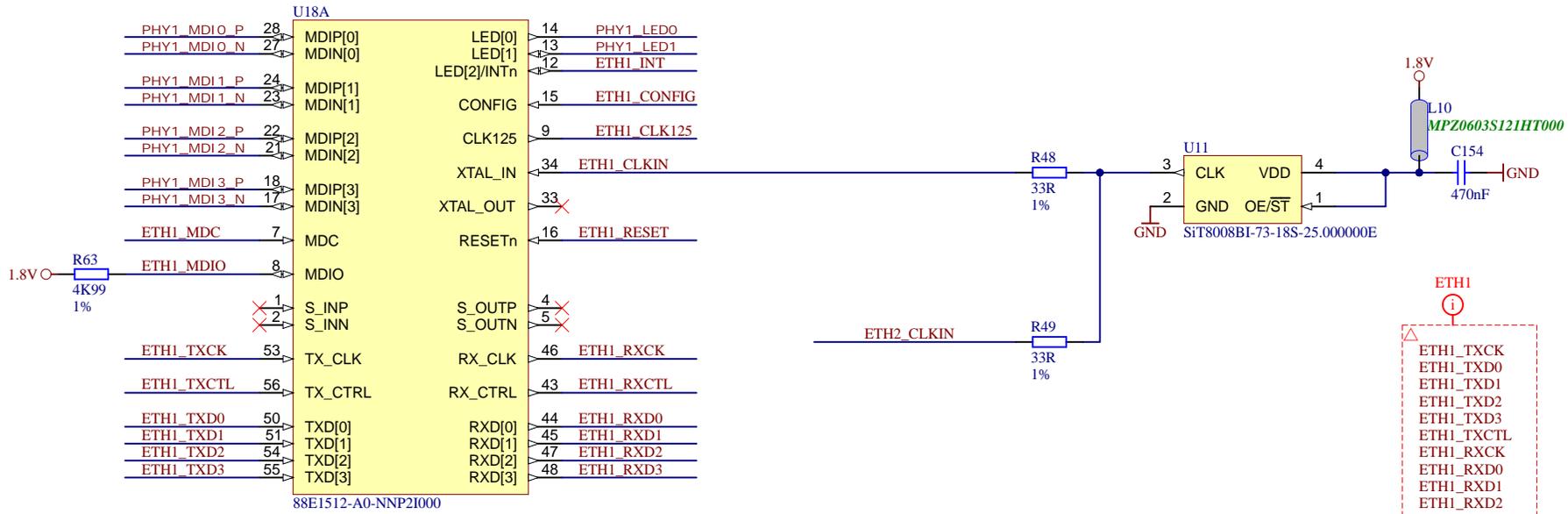
Title: TE0782 - Ethernet		
A4	Number: TE0782 82I33MA	Rev. 02
Date: 2015-05-27	Copyright: Trenz Electronic GmbH	Page 27 of 31
Filename: Ethernet.SchDoc		

1

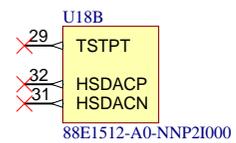
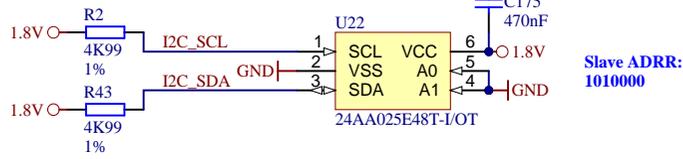
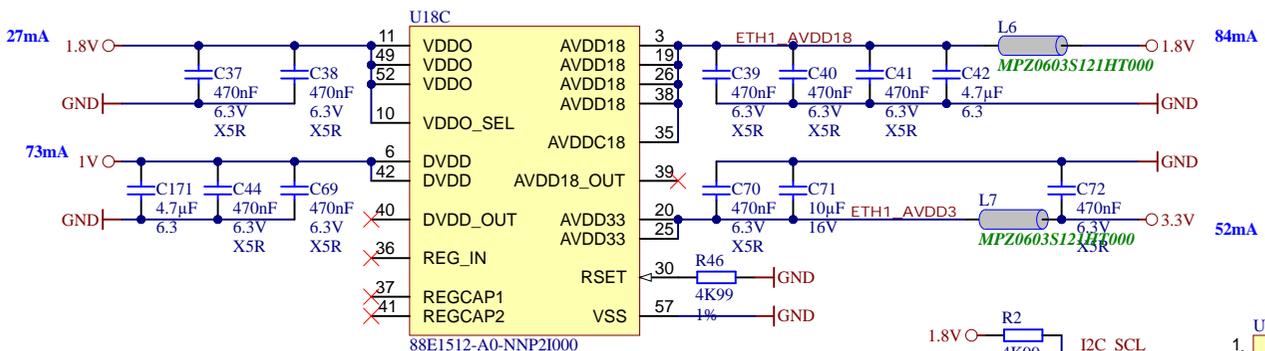
2

3

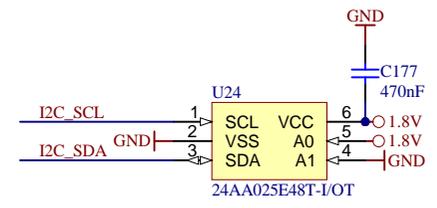
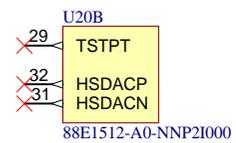
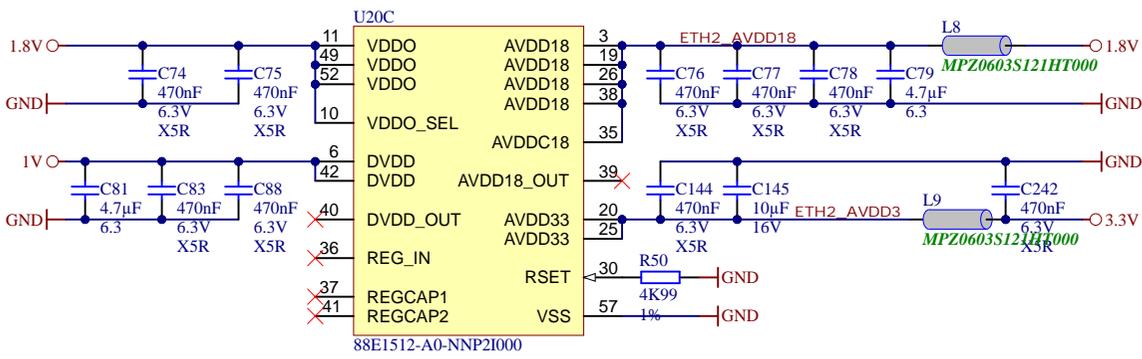
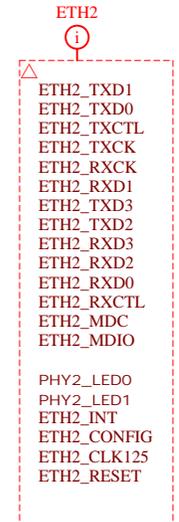
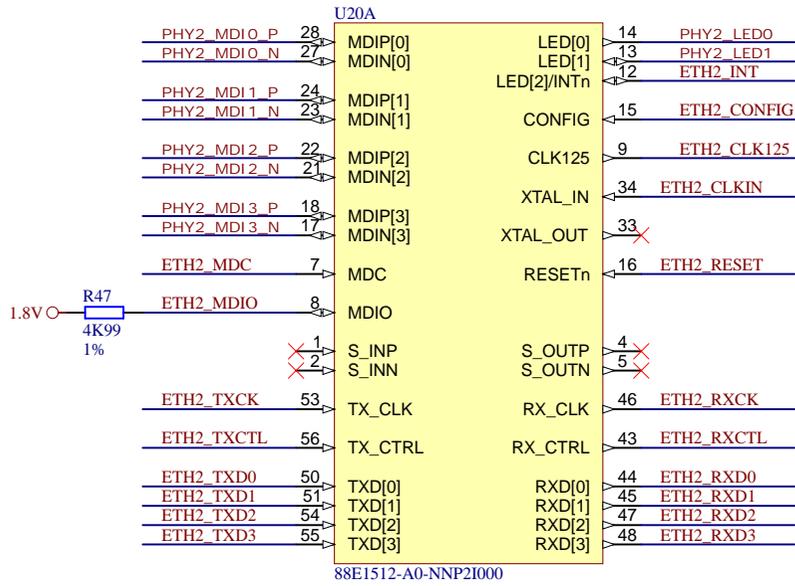
4



- ETH1**
- ETH1_TXCK
 - ETH1_TXD0
 - ETH1_TXD1
 - ETH1_TXD2
 - ETH1_TXD3
 - ETH1_TXCTL
 - ETH1_RXCK
 - ETH1_RXD0
 - ETH1_RXD1
 - ETH1_RXD2
 - ETH1_RXD3
 - ETH1_RXCTL
 - ETH1_MDC
 - ETH1_MDIO
- PHY1_LED0
PHY1_LED1
ETH1_INT
ETH1_CONFIG
ETH1_CLK125
ETH1_RESET

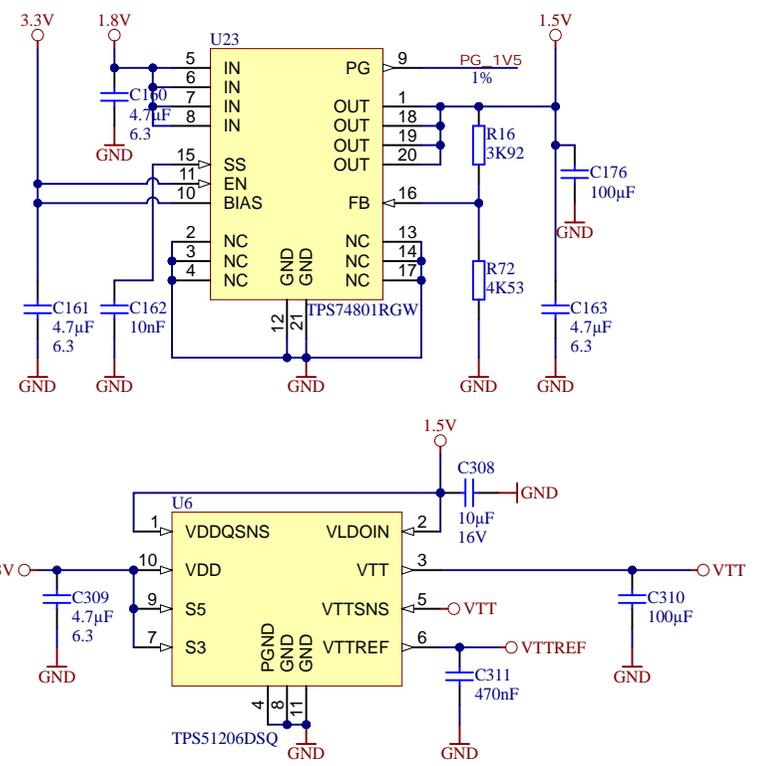
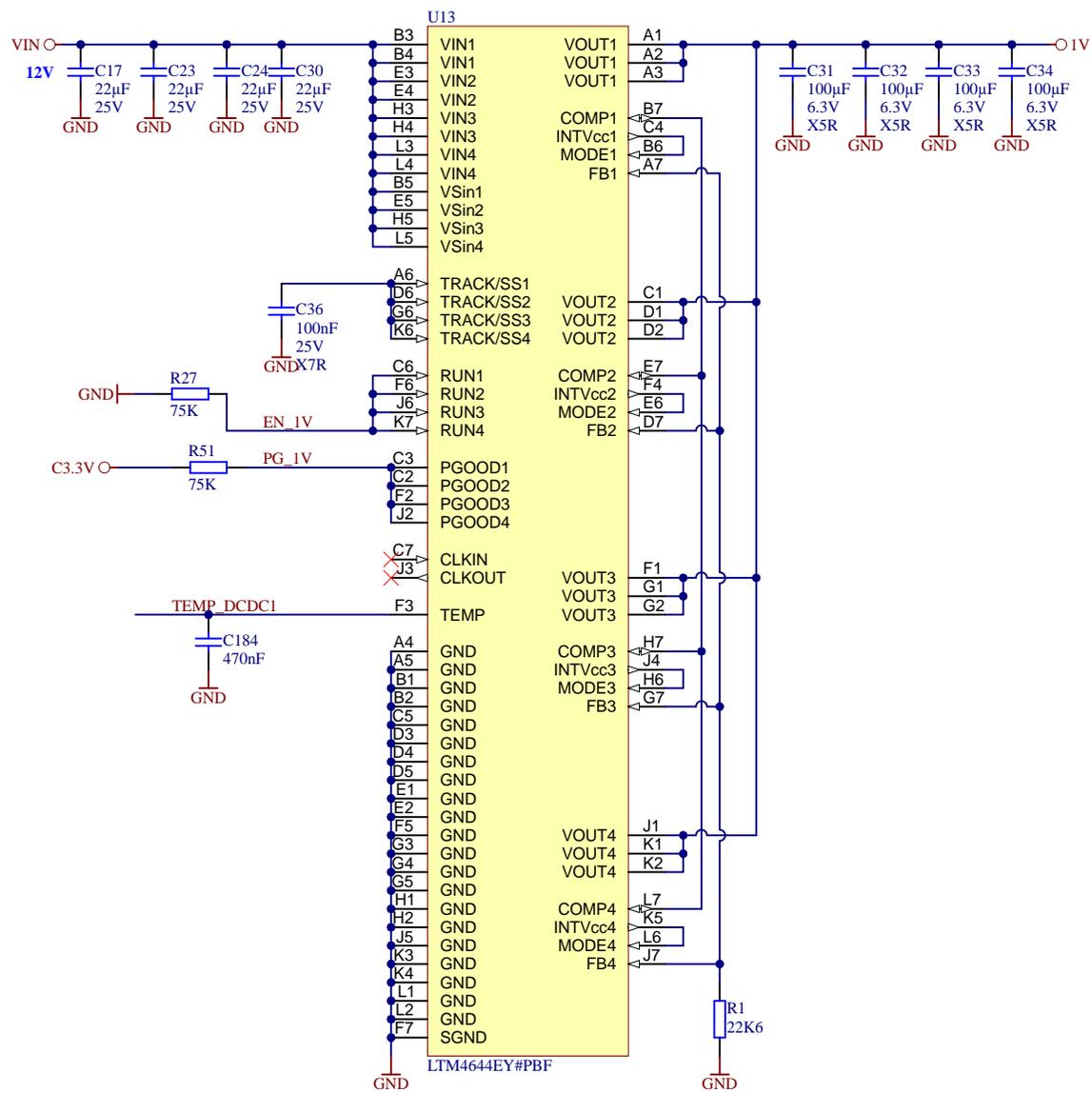


			Title: TE0782 - ETH_PHY1	
			A4	Number: TE0782 82I33MA
Date: 2015-05-27		Copyright: Trenz Electronic GmbH		Page 28 of 31
Filename: ETH1.SchDoc				



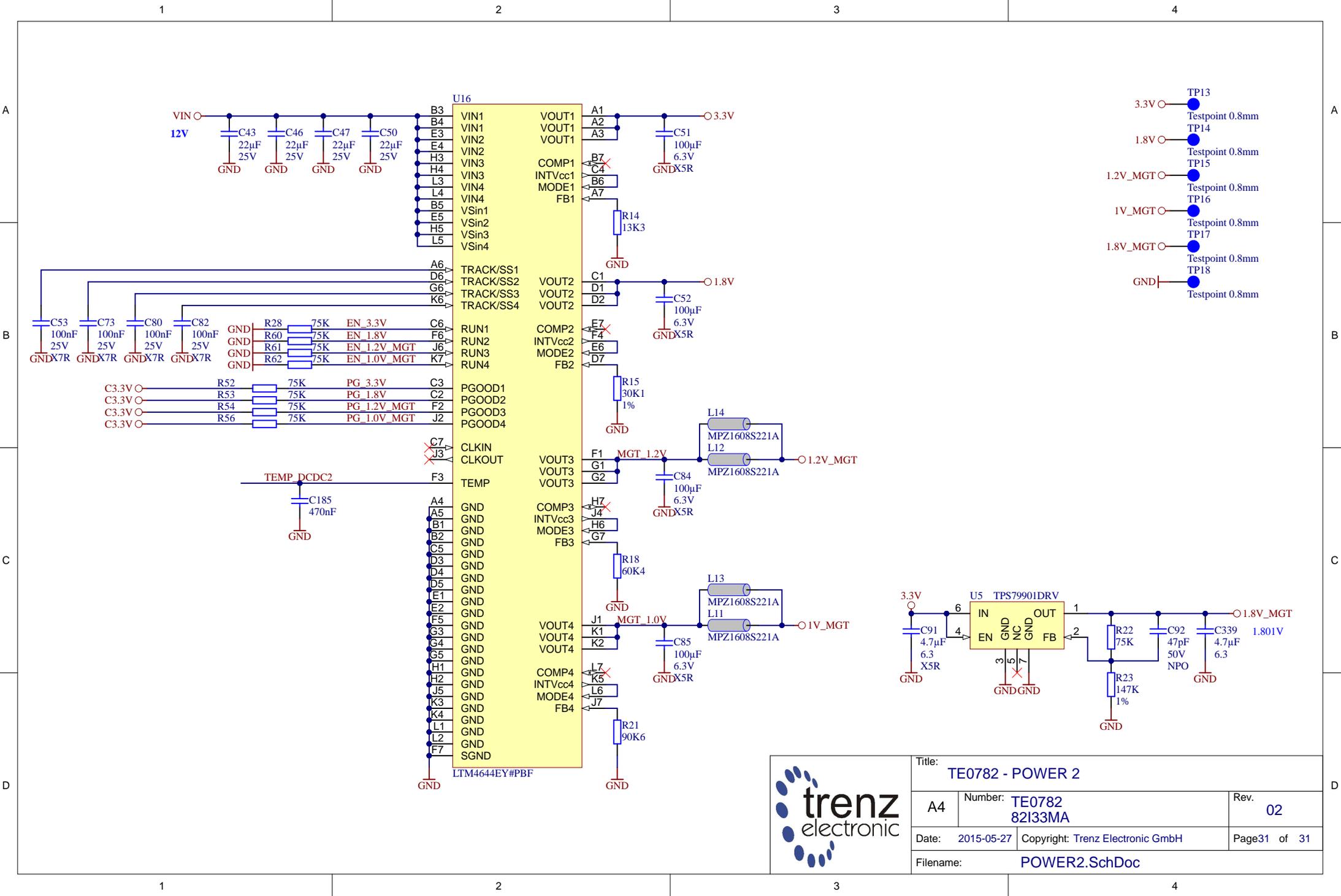
Slave ADDR:
1010001

			Title: TE0782 - ETH_PHY2	
			A4	Number: TE0782 82133MA
Date: 2015-05-27		Copyright: Trenz Electronic GmbH		Page 29 of 31
Filename: ETH2.SchDoc				



- TP7 1V Testpoint 0.8mm
- TP8 GND Testpoint 0.8mm
- TP10 1.5V Testpoint 0.8mm
- TP11 VTT Testpoint 0.8mm
- TP12 VTTREF Testpoint 0.8mm

			Title: TE0782 - POWER	
			A4	Number: TE0782 82I33MA
Date: 2015-05-27		Copyright: Trenz Electronic GmbH		Page30 of 31
Filename: POWER.SchDoc				



- 3.3V ○ Testpoint 0.8mm TP13
- 1.8V ○ Testpoint 0.8mm TP14
- 1.2V_MGT ○ Testpoint 0.8mm TP15
- 1V_MGT ○ Testpoint 0.8mm TP16
- 1.8V_MGT ○ Testpoint 0.8mm TP17
- GND ○ Testpoint 0.8mm TP18



Title: TE0782 - POWER 2		
A4	Number: TE0782 82133MA	Rev. 02
Date: 2015-05-27	Copyright: Trenz Electronic GmbH	Page 31 of 31
Filename: POWER2.SchDoc		