

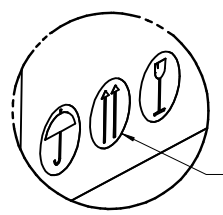
PRODUCT ID LABEL
(1) PER REEL

SEE DETAIL 1

SHIPPER ID LABEL
(1-2)/CARTON AS REQUIRED

PALLET 0313016630
635 mm X 635 mm
(26" X 26")
(SEE NOTE 6)

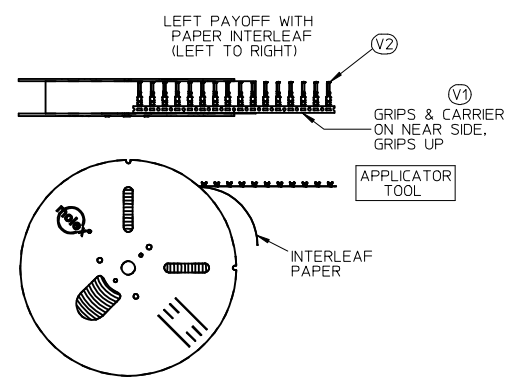
CUSTOMER COPY



NOTE 6

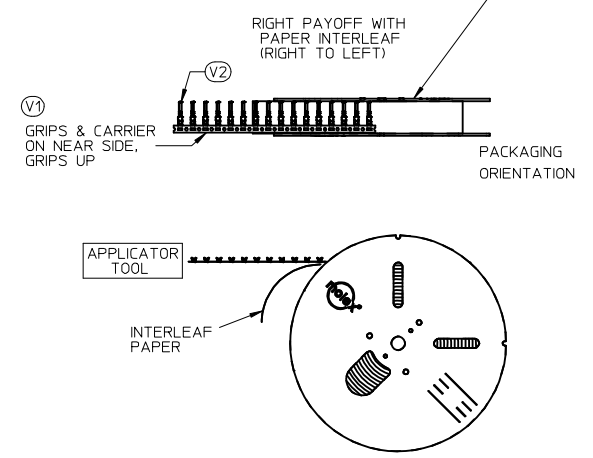
DETAIL 1
SCALE 1:1.33

**PAYOFF
DIRECTION D**



PLACE PRODUCT ID LABEL ON THIS SIDE TO INDICATE
THE PREFERRED PACKAGING ORIENTATION

**PAYOFF
DIRECTION B**



- NOTES:
1. NUMBER OF TERMINALS PER REEL: SEE TABLE (SHEET 2)
 2. STANDARD PACK QUANTITY (SPQ): SEE TABLE (SHEET 2)
 3. NUMBER OF REELS PER CARTON: SEE TABLE (SHEET 2)
 4. SPLICING: NO BREAKS, MAXIMUM 1 WELD PER REEL
 5. TO MINIMIZE STRESS ON TERMINALS, REELS SHOULD ALWAYS BE SHIPPED ON PALLETS WITH THE REELS LAYING FLAT AS SHOWN.
 6. PLACE CARTONS ON PALLET WITH ARROWS POINTING UP PER DETAIL 1
 7. FOR INTERNAL COPY SEE: PK-31301-053

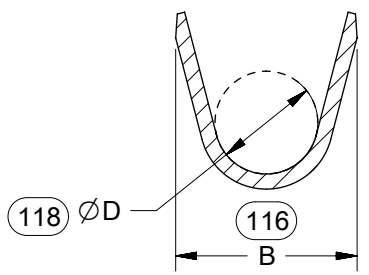
SPO CORRECTION EC NO: UAU2015-0955 DRAWN: PHELPS 2014/12/19 CHKD: JNORTHRO APPR: JNORTHRO 2015/01/26 REV: 4	QUALITY SYMBOLS ▽=0 ▽=0	GENERAL TOLERANCES (UNLESS SPECIFIED) mm INCH 4 PLACES ± --- ± --- 3 PLACES ± --- ± --- 2 PLACES ± --- ± --- 1 PLACE ± --- ± --- ANGULAR ± 1°	DIMENSION STYLE MM ONLY DRAWN BY DATE PPHELPS 2012/10/24 CHECKED BY DATE	SCALE 1:10 DESIGN UNITS METRIC THIRD ANGLE PROJECTION	TITLE CTX PACKAGING SPEC GEN. MRKT. PRODUCT CUSTOMER COPY	
	DRAFT WHERE APPLICABLE MUST REMAIN WITHIN DIMENSIONS		APPROVED BY DATE JNORTHRO 2012/11/26	MOLEX MOLEX INCORPORATED DOCUMENT NO. SD-31301-053	SHEET NO. 1 OF 2	
	SIZE SEE TABLE			THIS DRAWING CONTAINS INFORMATION THAT IS PROPRIETARY TO MOLEX INCORPORATED AND SHOULD NOT BE USED WITHOUT WRITTEN PERMISSION		
	Molex logo and company name					

PACKAGING DATA											
PRODUCT DESCRIPTION	CTX 64				CTX 150			CTX 280 SEALED			
PRODUCT P/N SERIES	0348030*** 0348031*** 0348032***		0348033*** 0348035***		034805****			034808****			
GRIP CODE	S	L	S	L	S	M	L	VS	S	M	L
PART WT (Kg/1000)	.1552	.1642	.126	.126	.3070	.3270	.3470	.6596	.6886	.7106	.7332
STAND PACK QTY (SPQ)	60000	60000	60000	60000	35000	30000	25000	10000	10000	10000	10000
QTY/REEL	10000	10000	10000	10000	7000	6000	5000	2000	2000	2000	2000
REELS/SHIPPER CARTON	6	6	6	6	5	5	5	5	5	5	5
CARTONS/PALLET (MAX)	5	5	5	5	5	5	5	5	5	5	5
FILLED CARTON WT (Kg)	14.83	15.37	TBD	TBD	15.64	14.70	13.57	11.5	11.8	12.0	12.2
FLANGE DIAMETER (MM)	610	610	610	610	610	610	610	610	610	610	610

CUSTOMER COPY

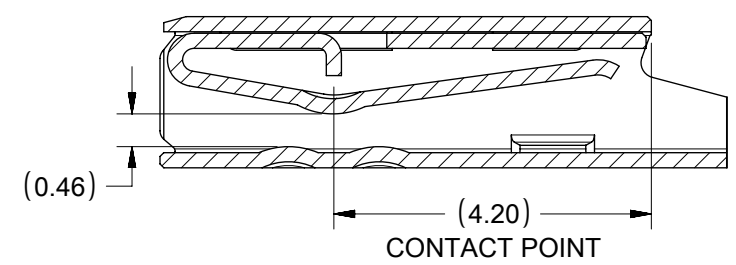
SPQ CORRECTION EC NO: UAU2015-0955 DRWN:PPHELPS 2014/12/19 CHKD: APPR: JNORTHRO 2015/01/26 REV: 4	DESCRIPTION JNORTHRO	QUALITY SYMBOLS	GENERAL TOLERANCES (UNLESS SPECIFIED) <table border="1"> <tr> <td></td> <td>mm</td> <td>INCH</td> </tr> <tr> <td>4 PLACES</td> <td>± ---</td> <td>± ---</td> </tr> <tr> <td>3 PLACES</td> <td>± ---</td> <td>± ---</td> </tr> <tr> <td>2 PLACES</td> <td>± ---</td> <td>± ---</td> </tr> <tr> <td>1 PLACE</td> <td>± ---</td> <td>± ---</td> </tr> </table>		mm	INCH	4 PLACES	± ---	± ---	3 PLACES	± ---	± ---	2 PLACES	± ---	± ---	1 PLACE	± ---	± ---	DIMENSION STYLE MM ONLY	SCALE 1:15	DESIGN UNITS METRIC	THIRD ANGLE PROJECTION
				mm	INCH																	
		4 PLACES		± ---	± ---																	
		3 PLACES		± ---	± ---																	
2 PLACES	± ---	± ---																				
1 PLACE	± ---	± ---																				
=0 =0	DRAWN BY PPHELPS DATE 2012/10/24 CHECKED BY DATE	TITLE CTX PACKAGING SPEC GEN. MRKT. PRODUCT CUSTOMER COPY																				
APPROVED BY JNORTHRO DATE 2012/11/26	MOLEX INCORPORATED DOCUMENT NO. SD-31301-053		SHEET NO. 2 OF 2																			
DRAFT WHERE APPLICABLE MUST REMAIN WITHIN DIMENSIONS		SEE TABLE SIZE C	THIS DRAWING CONTAINS INFORMATION THAT IS PROPRIETARY TO MOLEX INCORPORATED AND SHOULD NOT BE USED WITHOUT WRITTEN PERMISSION																			

TIN CONTACT SHAPE

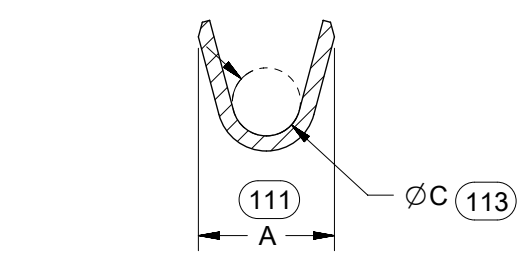


SECTION Y-Y
SCALE 10:1

INSULATION GRIP

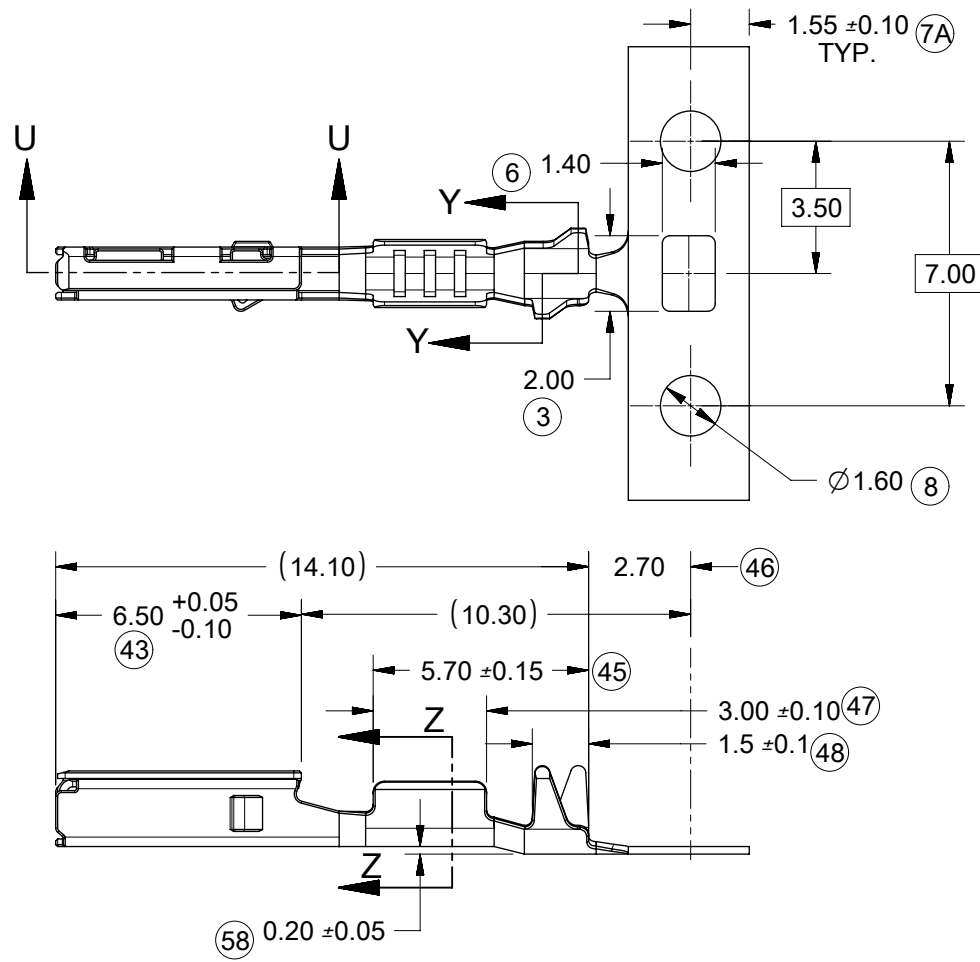
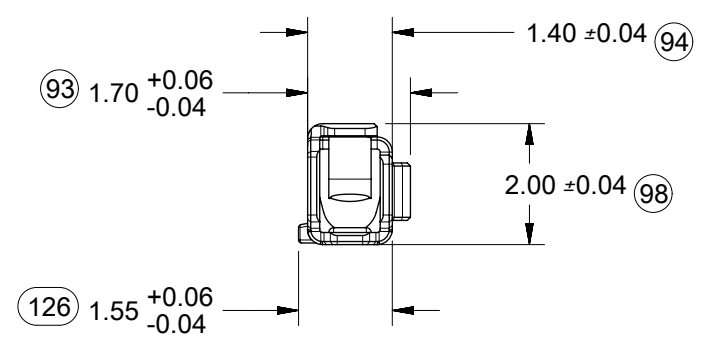


SECTION U-U
SCALE 10:1

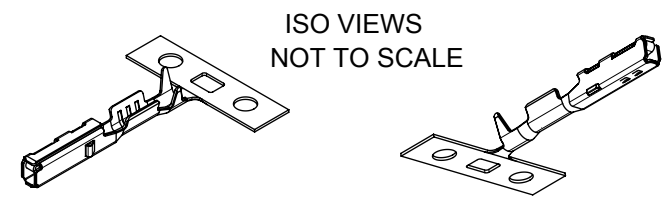


SECTION Z-Z
SCALE 10:1

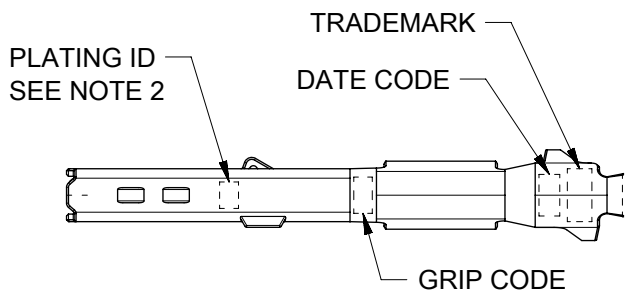
CONDUCTOR GRIP



SCALE 8:1



ISO VIEWS
NOT TO SCALE



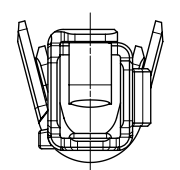
NOTES: (UNLESS OTHERWISE SPECIFIED)

1. MATERIAL: COPPER ALLOY
2. PLATING MARK: TIN (Sn) - NO MARK
SILVER (Ag) - A
3. PACKAGING PER SD-31301-053
4. CRIMPING PER AS-502306-002
5. PROBING AT ANY LOCATION ON THE TERMINAL BEAM IS NOT PERMITTED
6. PRODUCT SPECIFICATION PER PS-502306-001
7. ANTI-TARNISH TREATMENT FOR SILVER PLATED AREA: SYNTHETIC HYDROCARBON CONTACT SURFACE FINISH OR EQUIVALENT

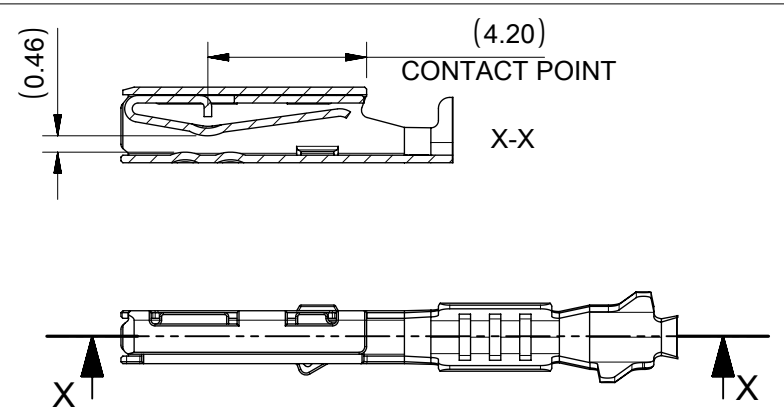
TABLE 1												
FAMILY	GENDER	SEALING	PLATING	PART NO	PAYOFF DIRECTION	GRIP CODE	WIRE SIZES*	A ±0.20	B ±0.30	C ±0.10	D ±0.20	SPECIAL CHARACTERISTICS
CTX64	RECEPTACLE	MAT SEAL	Sn	34803-3211	LEFT (D)	S	22AWG	1.80	2.40	0.90	1.36	STANDARD PERFORMANCE TIN
				34803-3213	RIGHT (B)		0.22-0.35mm ²					
				34803-3212	LEFT (D)	L	20AWG	2.15	2.50	1.20	1.72	
				34803-3214	RIGHT (B)		0.50-0.85mm ²					
			Ag	34803-5303	LEFT (D)	S	22AWG	1.80	2.40	0.90	1.36	HIGH PERFORMANCE SILVER
				34803-5307	RIGHT (B)		0.22-0.35mm ²					
				34803-5305	LEFT (D)	L	20AWG	2.15	2.50	1.20	1.72	
				34803-5309	RIGHT (B)		0.50-0.85mm ²					

* SEE AS-502306-002 FOR SPECIFIC WIRE TYPES

SILVER CONTACT SHAPE



SCALE 8:1



THIS DRAWING CONTAINS INFORMATION THAT IS PROPRIETARY TO MOLEX ELECTRONIC TECHNOLOGIES, LLC AND SHOULD NOT BE USED WITHOUT WRITTEN PERMISSION																
QUALITY SYMBOLS ▽ = 0 ▽ = 0 ▽ = 0 ▼ = 0 ▽ = 0 ▽ = 0 ⊠ = 0 ■ = 0 ▽ = 0	EC NO: 172386 DRWN: NVENKATESHSH CHKD: TOMSMITH APPR: TOMSMITH	2018/01/02 2018/02/16 2018/02/16	GENERAL TOLERANCES (UNLESS SPECIFIED)		DIMENSION UNITS	SCALE										
			ANGULAR TOL ± 1.0 °		mm	5:1										
			4 PLACES ±	3 PLACES ±	DRWN BY	DATE										
			2 PLACES ± 0.08	1 PLACE ± 0.08	BJENNINGS01	2014/05/21										
			0 PLACES ±	DRAFT WHERE APPLICABLE MUST REMAIN WITHIN DIMENSIONS		CHK'D BY	DATE	ADHIR		2014/05/21	PRODUCT CUSTOMER DRAWING					
			DRAWING SIZE		THIRD ANGLE PROJECTION		APPR BY	DATE	BMOSE		2014/06/02	SERIES		MATERIAL NUMBER	CUSTOMER	
			B				34803		GENERAL MARKET		DOCUMENT NUMBER		DOC TYPE	DOC PART	SHEET NUMBER	
			B1		REV		SD-34803-002		PSD		001		1 OF 1			