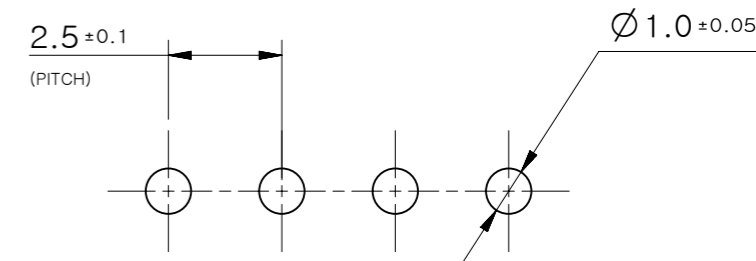


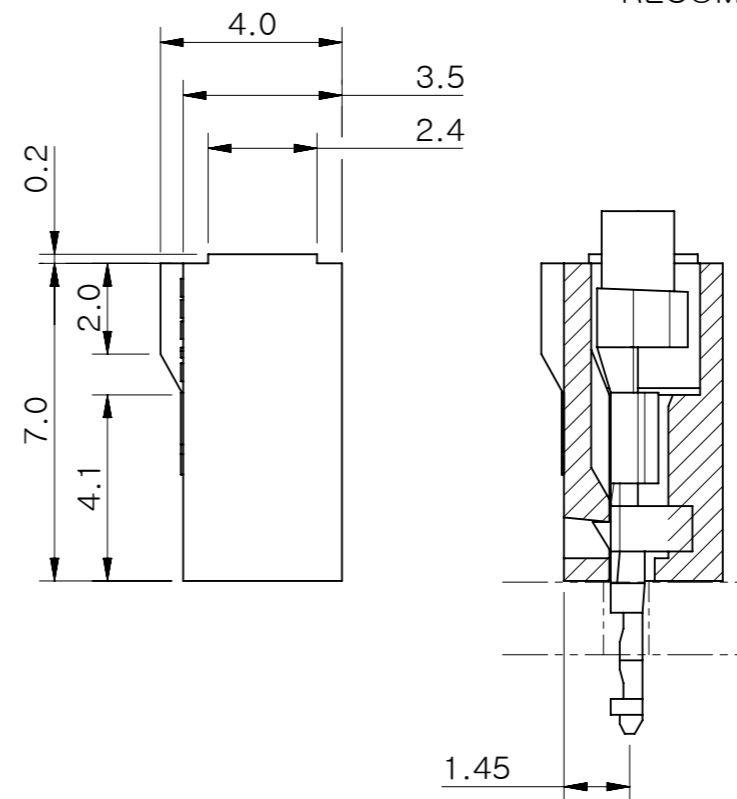
NOTES.

1. APPLICABLE TERMINAL : 500978\*00
2. TRADE MARK IS FORMED BY MXJ AND BY 1-2 DIGIT NUMBER (TO CAVITY NO.) AND BY 1 LETTER OD ALPHABET (TO MOLD NO.)
3. ELV AND RoHS COMPLIANT

(NON-ACCUMULATIVE)

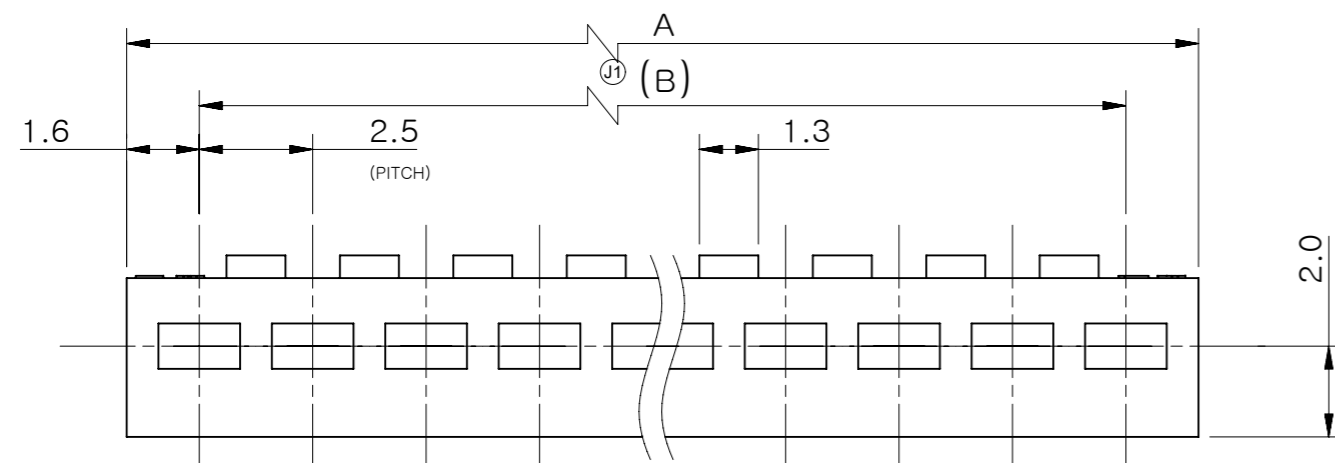
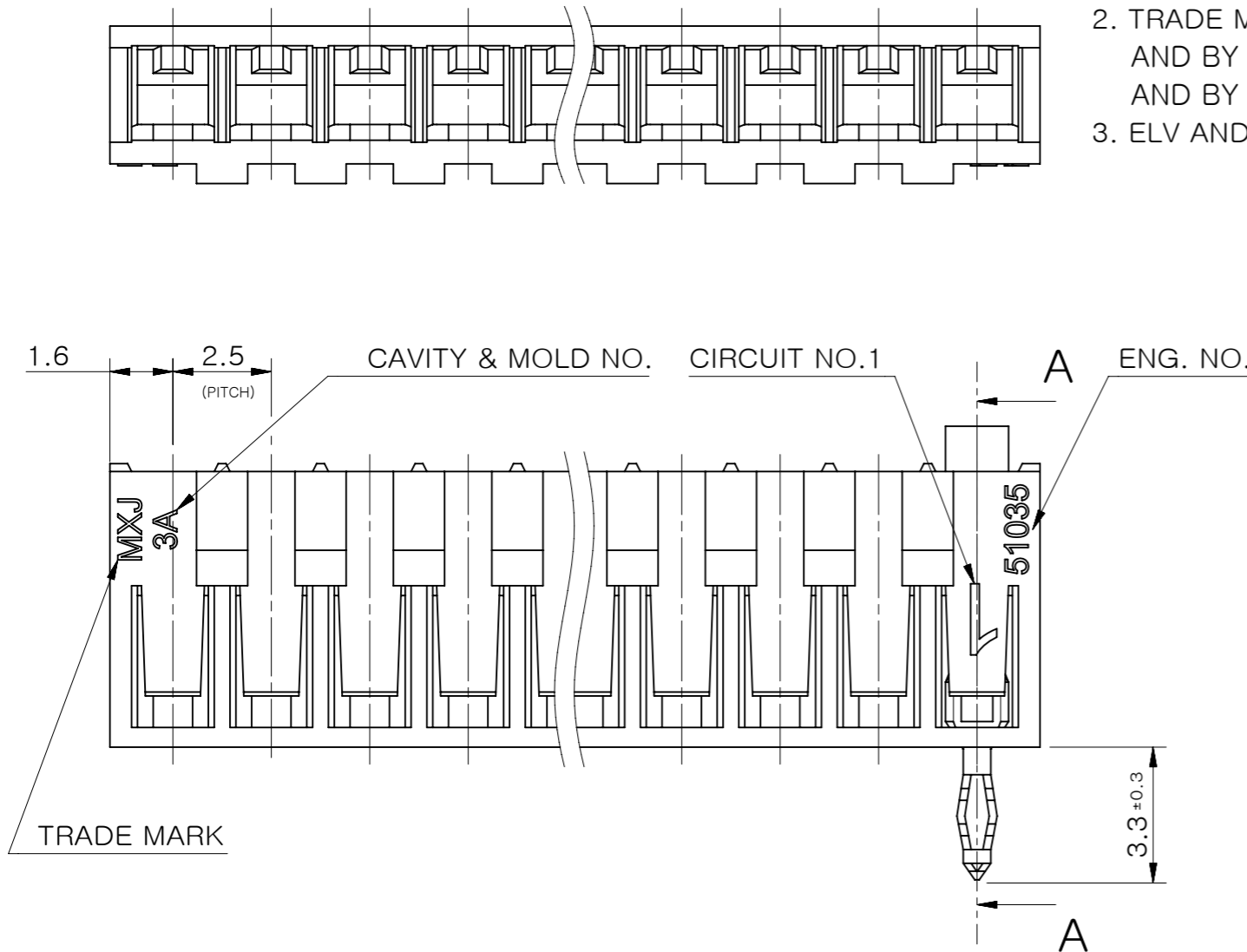


RECOMMENDED PC BOARD HOLE DIMENSION  
(THICKNESS : 1.6mm)



SECTION A-A

27.5	30.7	510351200	12
25.0	28.2	510351100	11
22.5	25.7	510351000	10
20.0	23.2	510350900	9
17.5	20.7	510350800	8
15.0	18.2	510350700	7
12.5	15.7	510350600	6
10.0	13.2	510350500	5
7.5	10.7	510350400	4
5.0	8.2	510350300	3
2.5	5.7	510350200	2
B	A	ORDER NO.	CKT.



GENERAL TOLERANCES (UNLESS SPECIFIED)	
10 UNDER	±0.2
10 OVER 30 UNDER	±0.25
30 OVER	±0.3
DRAFT WHERE APPLICABLE MUST REMAIN WITHIN DEMENSIONS	

MATERIAL	POLYAMIDE, UL94V-0
WIRE RANGE	AWG #24 ~ 20 KV 0.2 ~ 0.5 AVS 0.3 ~ 0.5
INS. RANGE	Ø1.3 ~ Ø2.1

FUNCTIONAL SYMBOLS	THIS DRAWING CONTAINS INFORMATION THAT IS PROPRIETARY TO MOLEX ELECTRONIC TECHNOLOGIES, LLC AND SHOULD NOT BE USED WITHOUT WRITTEN PERMISSION
SCALE	6:1
GENERAL TOLERANCES (UNLESS SPECIFIED)	ANGULAR TOL ± 3.0°
4 PLACES ±	3 PLACES ±
2 PLACES ±	1 PLACE ±
0 PLACES ±	DRAFT WHERE APPLICABLE MUST REMAIN WITHIN DIMENSIONS
THIRD ANGLE PROJECTION	DRAWING
A3-SIZE	SERIES
51035	MATERIAL NUMBER
SEE TABLE	CUSTOMER
GENERAL MARKET	SHEET NUMBER
1 OF 1	

**molex**

2.5 BOARD IN CONN. HOUSING

PRODUCT CUSTOMER DRAWING

DOCUMENT NUMBER: SD-51035-001

DOC TYPE: PSD

DOC PART: 001

REVISION: J2