

MATERIALS AND FINISHES

BODY: BRASS
 PLATED TRI-M3

CONTACT: PHOSPHOR BRONZE
 PLATED SILVER

OUTER CONDUCTOR: PHOSPHOR BRONZE
 PLATED TRI-M3

SCREW(STUD): STAINLESS STEEL

INSULATOR: TEFLON

O-RING,GASKET: SILICONE RUBBER

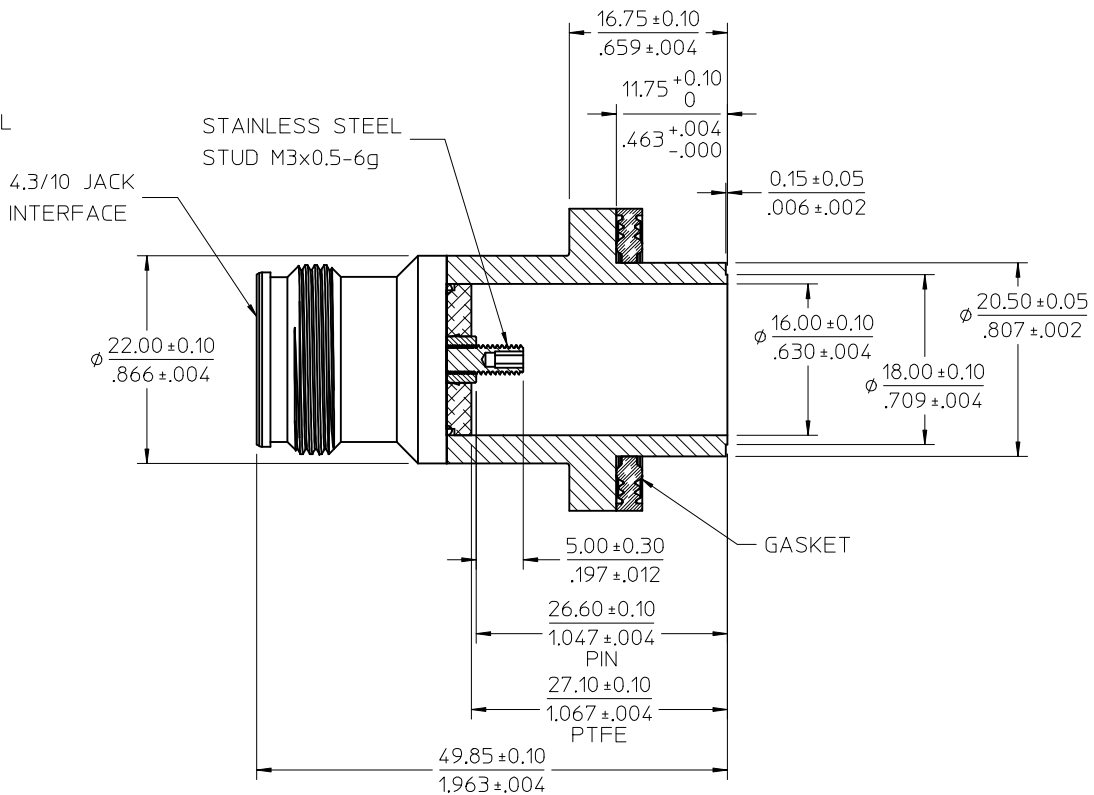
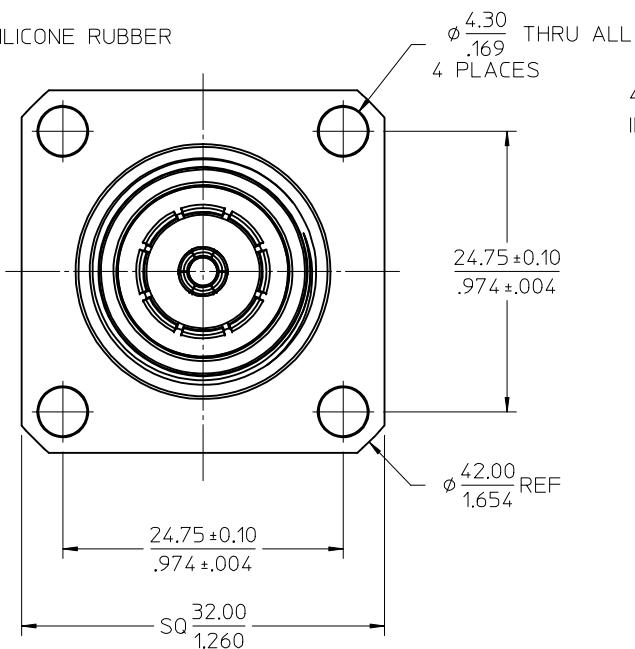
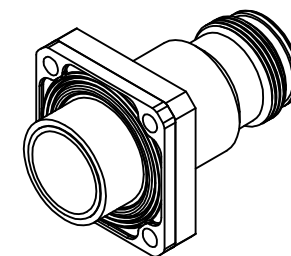
PERFORMANCE REQUIREMENTS:

FREQUENCY RANGE: DC-12GHz
 TEMPERATURE RANGE: -55-+155°C
 IMPEDANCE: 50 OHM
 WITHSTAND VOLTAGE(AC): 3000V @0.5mA
 RETURN LOSS: <-30dB @DC~4GHz;
 <-26dB @4~6GHz

PIM3(2x20W): <-166dBC @900MHZ AND 1800MHZ
 WATERPROOF(UNMATED): IP68

MATING CYCLES: 500 MIN
 CONTACT CAPTIVATION:
 AXIAL FORCE: >200N
 RADIAL TORQUE: >30Ncm
 COUPLING TORQUE: 5Nm

PACKAGING BY TRAY



PART # 73162-6050

IEC 61169-54	INTERFACE
SPECIFICATION	DESCRIPTION

CHG: NEW RELEASE PER: PDR/J1508/729 EC NO: URF2016-0315 DRWNL: CHEN03 2015/11/27 CHKD: MXU11 2015/12/14 APPR: MYE08 2015/12/17	QUALITY SYMBOLS ∇=0 ∇=0 ∇=0	GENERAL TOLERANCES (UNLESS SPECIFIED)	DIMENSION STYLE	SCALE	DESIGN UNITS	THIRD ANGLE PROJECTION
			MM/IN		METRIC	
		4 PLACES ± --- ± ---	DRAWN BY DATE	TITLE	4.3/10 SQUARE FLANGE FEMALE CONNECTOR 4.3/10-J molex	
		3 PLACES ± --- ± ---	LCHEN03 2015/11/18	CHECKED BY DATE		
2 PLACES ± --- ± ---	MXU11 2015/12/14	APPROVED BY DATE	MATERIAL NO. 731626050 DOCUMENT NO. SD-73162-605			
1 PLACE ± --- ± ---	MYE08 2015/12/17		SHEET NO. 1 OF 1			
0 PLACE ± --- ± ---		ANGULAR ± 2 °	DRAFT WHERE APPLICABLE MUST REMAIN WITHIN DIMENSIONS			
THIS DRAWING CONTAINS INFORMATION THAT IS PROPRIETARY TO MOLEX INCORPORATED AND SHOULD NOT BE USED WITHOUT WRITTEN PERMISSION						