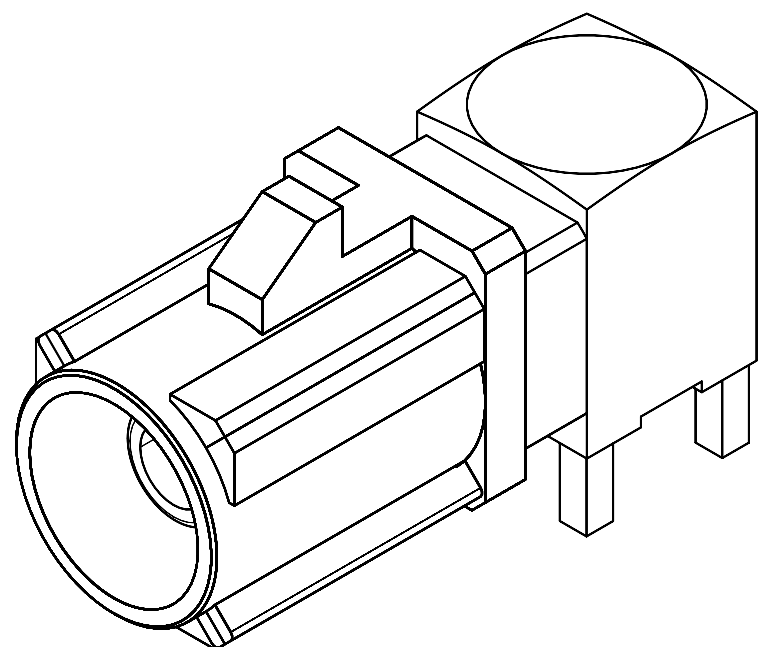
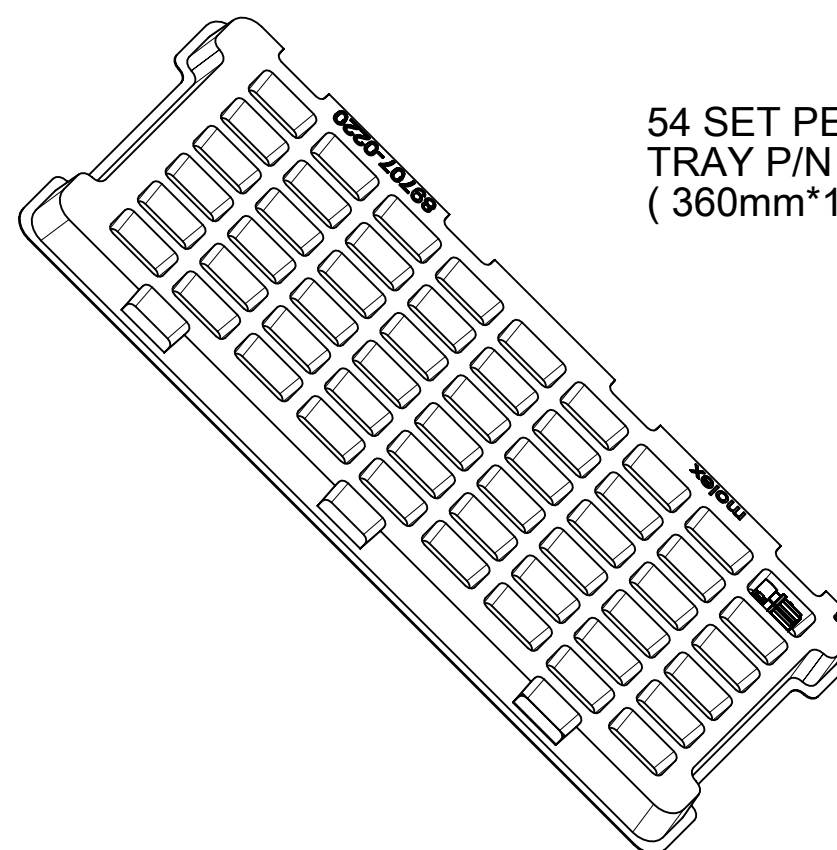


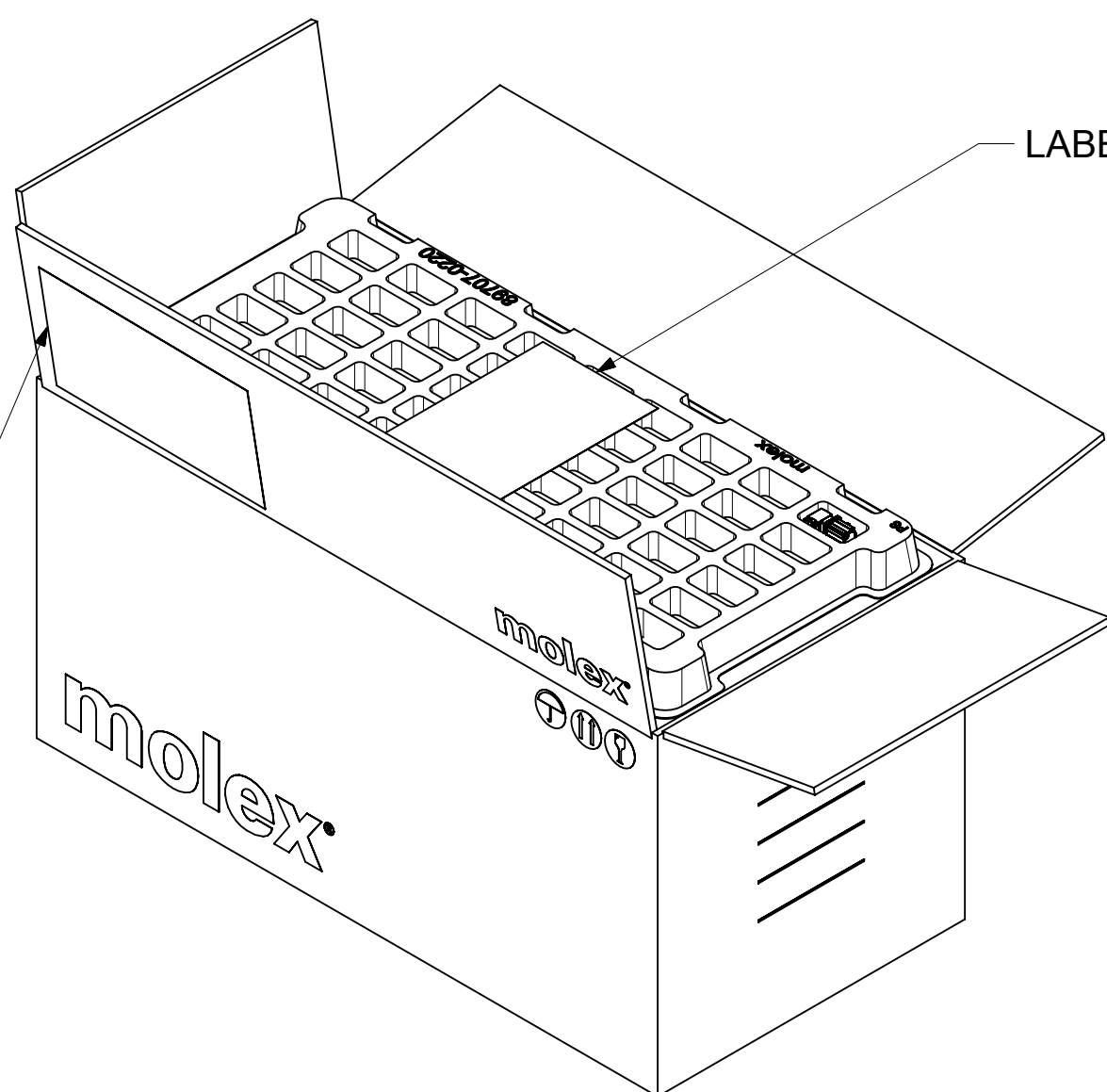
PN 73403-511X



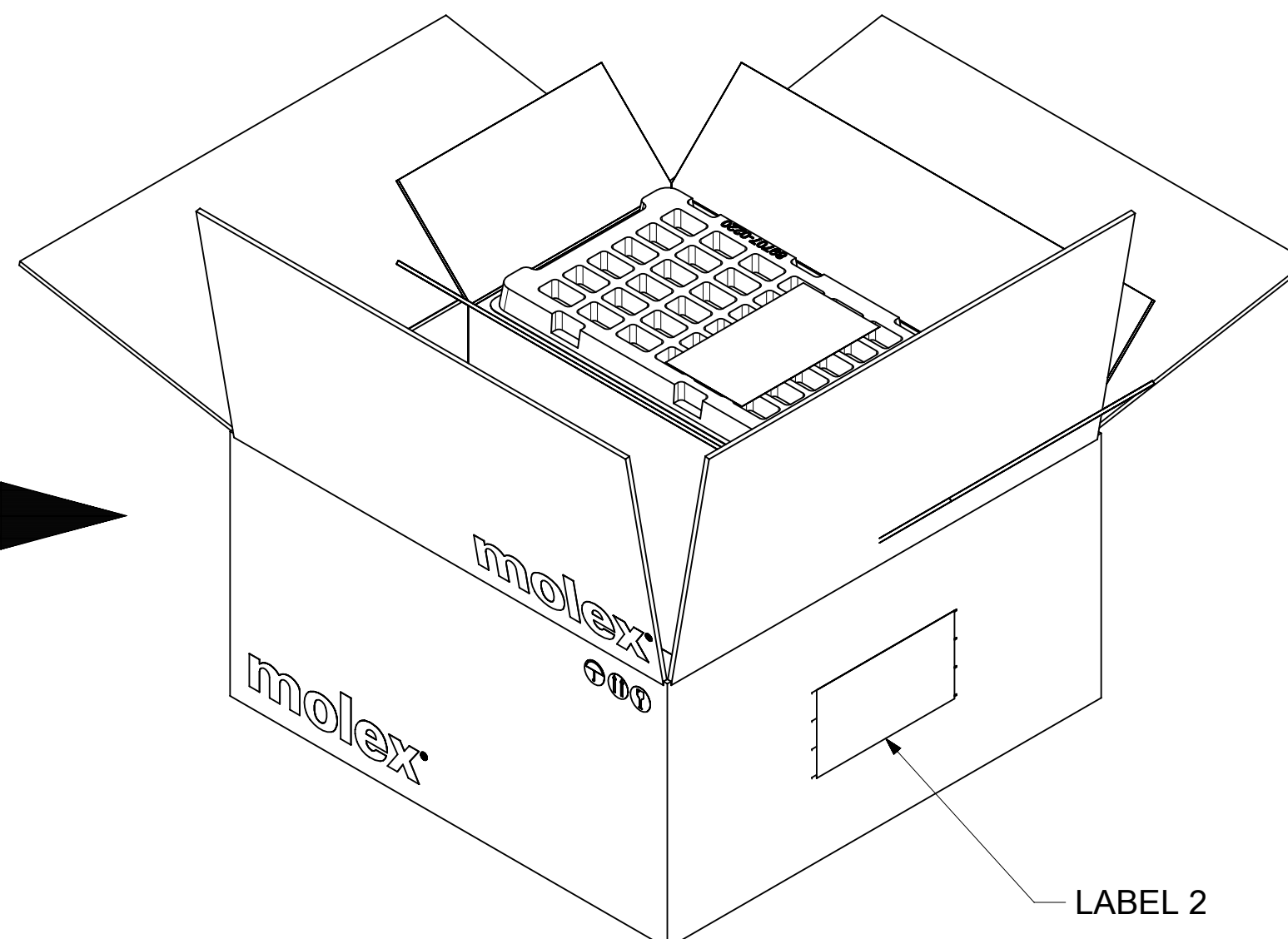
54 SET PER TRAY
TRAY P/N 89707-0220
(360mm*165mm)



540 SET PER INNER
CARTON BOX
P/N 96707-0001




1080 SET PER OUTER
CARTON BOX
P/N 96708-0005



LABEL 1

LABEL 1

LABEL 2

FUNCTIONAL SYMBOLS	THIS DRAWING CONTAINS INFORMATION THAT IS PROPRIETARY TO MOLEX ELECTRONIC TECHNOLOGIES, LLC AND SHOULD NOT BE USED WITHOUT WRITTEN PERMISSION										
	DIMENSION UNITS	SCALE	CURRENT REV DESC:								
$\nabla_A = 0$	HYBRID	1:1	EWR # 14835-A ADDED LENGTH AND WIDTH OF TRAY ON DRAWING								
$\nabla_E = 0$	GENERAL TOLERANCES (UNLESS SPECIFIED)		EC NO: 683284							DOCUMENT NUMBER SD-73403-511-PKG	
$\nabla_P = 0$	ANGULAR TOL $\pm 2.0^\circ$		DRWN: JSU18 2021/10/29								
DIVISIONAL SYMBOLS	4 PLACES \pm		CHK'D: YCHENG 2021/10/29							MATERIAL NUMBER CUSTOMER GENERAL MARKET	
	3 PLACES \pm		APPR: YCHENG 2021/10/29								
	2 PLACES \pm		INITIAL REVISION:							SERIES 73403	
	1 PLACE \pm		DRWN: SCHOU 2009/05/12								
	0 PLACES \pm		APPR: MHUANG 2009/05/19							DRAWING C-SIZE	
	DRAFT WHERE APPLICABLE MUST REMAIN WITHIN DIMENSIONS										
										SERIES 73403	
										SHEET NUMBER 1 OF 2	
										SHEET NUMBER 1 OF 2	

LABEL 1

(1P) PART NUMBER	XXXXXXXXXXXX	(9D) DATE CODE	YYWW
DESCRIPTION	SMB JACK FAKRA R/A PCB 50 OHM		
(Q) QUANTITY	540	 www.molex.com	
(4L) COUNTRY OF ORIGIN	Taiwan		
(12D) INV CTRL DATE	YYYY/MM/DD		
(1T) TRACEABILITY	XXXXXXXXXXXX		
RoHS Compliant with Exemption REACH SVHC information - see www.molex.com		Low-Halogen	
1 of 1	OPERATOR:	17.11.23	
MOLEX TAIWAN LTD. / DANSHUI, NEW TAIPEI CITY, TAIWAN 25144			

LABEL 2

(1P) PART NUMBER	XXXXXXXXXXXX	(9D) DATE CODE	YYWW
DESCRIPTION	SMB JACK FAKRA R/A PCB 50 OHM		
(Q) QUANTITY	1080	 www.molex.com	
(4L) COUNTRY OF ORIGIN	Taiwan		
(12D) INV CTRL DATE	YYYY/MM/DD		
(1T) TRACEABILITY	XXXXXXXXXXXX		
RoHS Compliant with Exemption REACH SVHC information - see www.molex.com		Low-Halogen	
1 of 1	OPERATOR:	17.11.23	
MOLEX TAIWAN LTD. / DANSHUI, NEW TAIPEI CITY, TAIWAN 25144			

FUNCTIONAL SYMBOLS	THIS DRAWING CONTAINS INFORMATION THAT IS PROPRIETARY TO MOLEX ELECTRONIC TECHNOLOGIES, LLC AND SHOULD NOT BE USED WITHOUT WRITTEN PERMISSION			
	DIMENSION UNITS	SCALE	CURRENT REV DESC:	
$\frac{E}{A} = 0$	HYBRID	1:1	EWR # 14835-A ADDED LENGTH AND WIDTH OF TRAY ON DRAWING	
$\frac{E}{C} = 0$	GENERAL TOLERANCES (UNLESS SPECIFIED)		EC NO: 683284	
$\frac{E}{P} = 0$	ANGULAR TOL $\pm 2.0^\circ$		DRWN: JSU18 2021/10/29	
DIVISIONAL SYMBOLS	4 PLACES \pm		CHK'D: YCHENG 2021/10/29	
	3 PLACES \pm		APPR: YCHENG 2021/10/29	
	2 PLACES \pm		INITIAL REVISION:	
	1 PLACE \pm		DRWN: SCHOU 2009/05/12	
0 PLACES \pm		APPR: MHUANG 2009/05/19		
DRAFT WHERE APPLICABLE MUST REMAIN WITHIN DIMENSIONS		THIRD ANGLE PROJECTION	DRAWING	SERIES
			C-SIZE	73403
DOCUMENT STATUS		DOC TYPE	DOC PART	REVISION
P1		PSD	001	B1
RELEASE DATE		MATERIAL NUMBER	CUSTOMER	SHEET NUMBER
2021/10/29 08:59:46		SD-73403-511-PKG	GENERAL MARKET	2 OF 2

molex

PACKAGING FOR 73403-511X

PRODUCT CUSTOMER DRAWING

DOCUMENT NUMBER: SD-73403-511-PKG
DOC TYPE: PSD
DOC PART: 001
REVISION: B1

MATERIALS AND FINISHES

BODY BRASS
PLATED NICKEL

HOUSING BRASS
PLATED TIN

CENTER CONTACT PHOSPHOR BRONZE/BRASS
PLATED GOLD

OUTER CASING HIGH TEMPERATURE PLASTIC
KEYING SEE TABLE
COLOR SEE TABLE

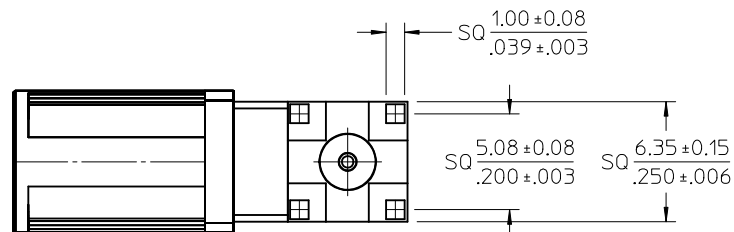
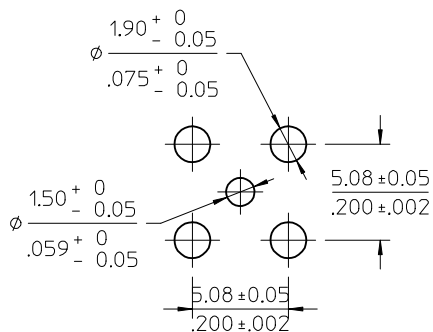
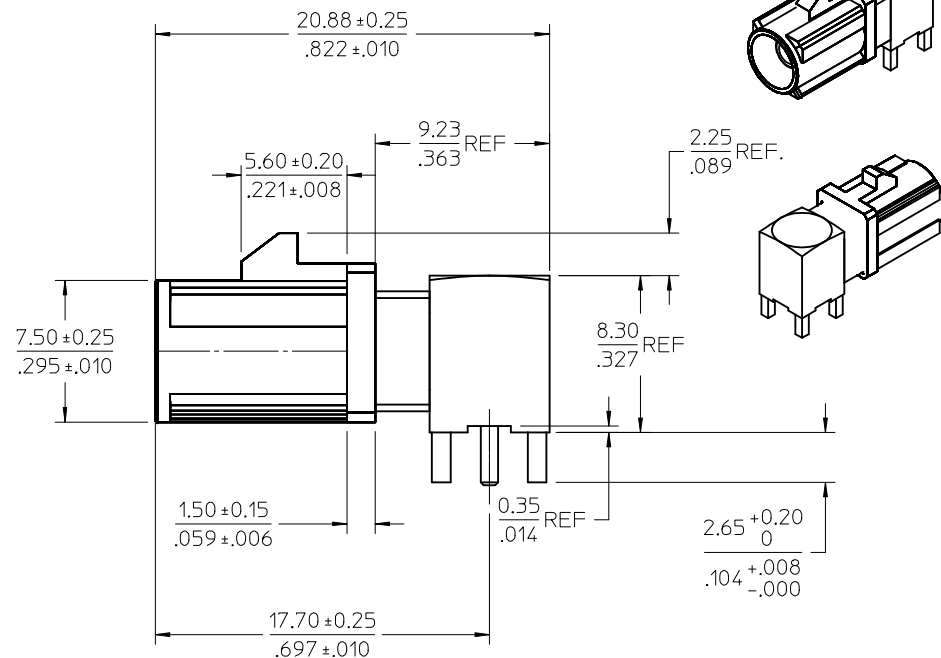
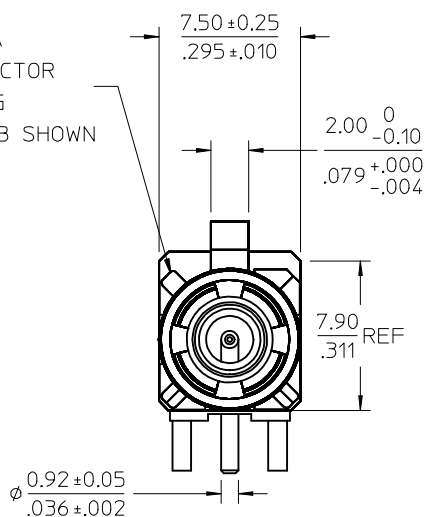
INSULATOR TEFLON

PACKAGING BY TAPE AND REEL

RETENTION SPECIFICATION

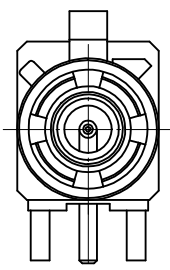
THE FAKRA CONNECTOR SHROUD WILL WITHSTAND
A LONGITUDINAL FORCE OF 110 N (24.75 LBS)

FAKRA
CONNECTOR
KEYING
CODE B SHOWN

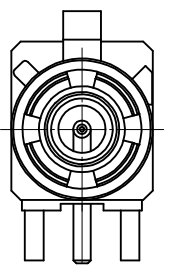


PS-89675-3310	PRODUCT SPECIFICATION
MIL-STD-348A, FIG. 311.1	INTERFACE SPECIFICATION
SPECIFICATION	DESCRIPTION

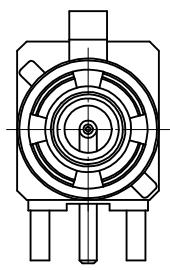
RTM PDR15092069 PDR13091433 EC NO: URF2016-0255 DRWNLIN 2013/09/24 CHKD: APPR: YCHENG 2015/10/13 DESCRIPTION	QUALITY SYMBOLS	GENERAL TOLERANCES (UNLESS SPECIFIED)	DIMENSION STYLE	SCALE	DESIGN UNITS	THIRD ANGLE PROJECTION
	$\nabla = 0$ $\nabla = 0$ $\nabla = 0$	mm INCH 4 PLACES ± --- ± --- 3 PLACES ± --- ± --- 2 PLACES ± --- ± --- 1 PLACE ± --- ± --- 0 PLACE ± --- ± ---	MM/IN	1:1	METRIC	TITLE SMB JACK, FAKRA,R/A PCB 50 OHMS T&R SMB-J/PCB/RA molex
	DRAWN BY EL IN DATE 2013/09/24 CHECKED BY JOANNE DATE 2013/09/24 APPROVED BY YCHENG DATE 2015/10/13	MATERIAL NO. SEE SHEET 2	DOCUMENT NO. SD-73403-650	SHEET NO. 1 OF 5		
	ANGULAR ± 2 ° DRAFT WHERE APPLICABLE MUST REMAIN WITHIN DIMENSIONS	THIS DRAWING CONTAINS INFORMATION THAT IS PROPRIETARY TO MOLEX INCORPORATED AND SHOULD NOT BE USED WITHOUT WRITTEN PERMISSION				



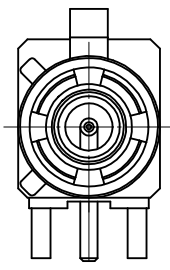
CODE-A



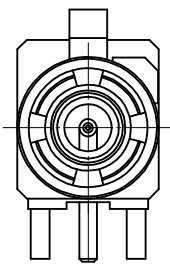
CODE-B



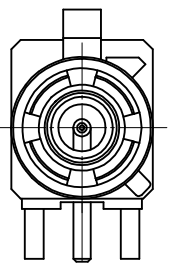
CODE-C



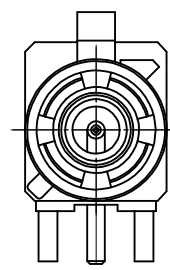
CODE-D



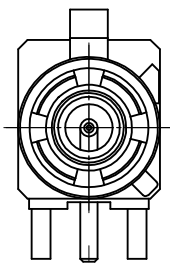
CODE-E



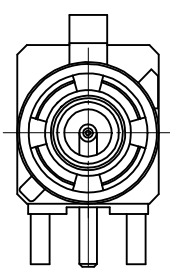
CODE-F



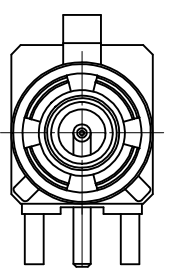
CODE-G



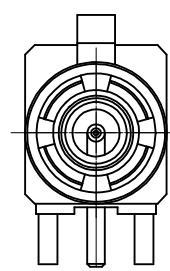
CODE-H



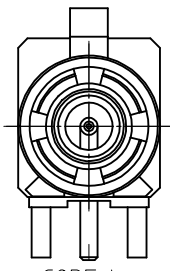
CODE-I



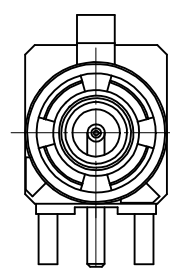
CODE-K



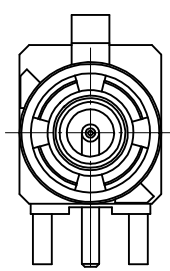
CODE-Z



CODE-L



CODE-M



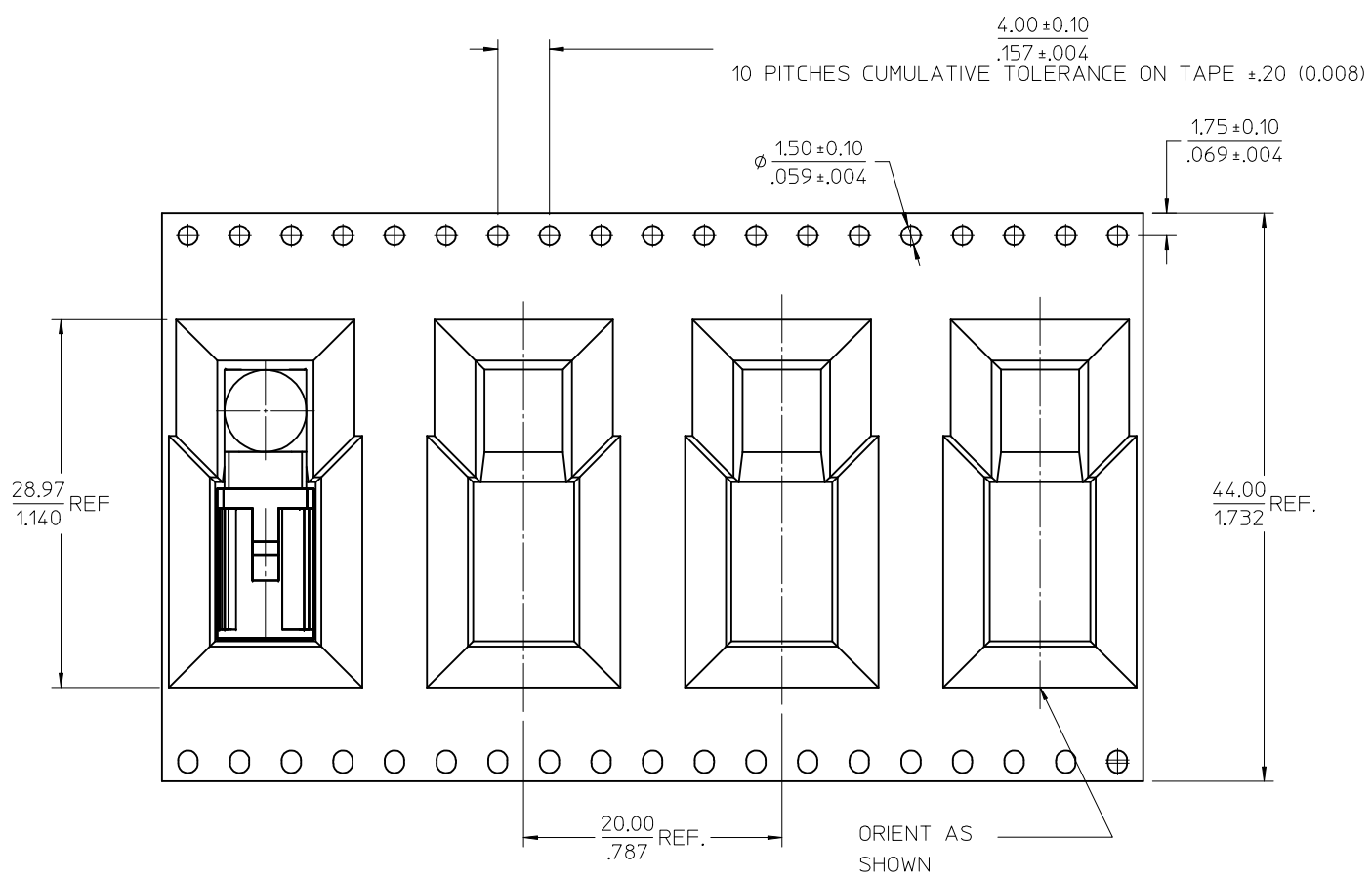
CODE-N

N	PASTEL GREEN	73403-6513
M	PASTEL ORANGE	73403-6512
L	CARMINE RED	73403-6511
Z	WATER BLUE	73403-6510
K	CURRY YELLOW	73403-6509
I	BEIGE	73403-6508
H	VIOLET	73403-6507
G	GRAY	73403-6506
F	BROWN	73403-6505
E	GREEN	73403-6504
D	BORDEAUXVIOLET	73403-6503
C	BLUE	73403-6502
B	NATURAL	73403-6501
A	BLACK	73403-6500
KEYING CODE	COLOR	PART NO.

SEE SHEET 1 EC NO: URF2016-0255 DRWNLIN 2013/09/24 CHKD: APPR: YCHENG 2015/10/13	QUALITY SYMBOLS = 0 = 0 = 0	GENERAL TOLERANCES (UNLESS SPECIFIED) <table border="1"> <tr><th></th><th>mm</th><th>INCH</th></tr> <tr><td>4 PLACES</td><td>± .005</td><td>± .0004</td></tr> <tr><td>3 PLACES</td><td>± .005</td><td>± .0004</td></tr> <tr><td>2 PLACES</td><td>± .005</td><td>± .0004</td></tr> <tr><td>1 PLACE</td><td>± .005</td><td>± .0004</td></tr> <tr><td>0 PLACE</td><td>± .005</td><td>± .0004</td></tr> </table>		mm	INCH	4 PLACES	± .005	± .0004	3 PLACES	± .005	± .0004	2 PLACES	± .005	± .0004	1 PLACE	± .005	± .0004	0 PLACE	± .005	± .0004	DIMENSION STYLE MM/IN DRAWN BY DATE EL IN 2013/09/24 CHECKED BY DATE JOANNE 2013/09/24 APPROVED BY DATE YCHENG 2015/10/13	SCALE 1:1 DESIGN UNITS METRIC THIRD ANGLE PROJECTION	TITLE SMB JACK, FAKRA,R/A PCB 50 OHMS T&R SMB-J/PCB/RA molex	MATERIAL NO. SEE TABLE DOCUMENT NO. SD-73403-650	SHEET NO. 2 OF 5
		mm	INCH																						
	4 PLACES	± .005	± .0004																						
	3 PLACES	± .005	± .0004																						
2 PLACES	± .005	± .0004																							
1 PLACE	± .005	± .0004																							
0 PLACE	± .005	± .0004																							
ANGULAR ± 2°		DRAFT WHERE APPLICABLE MUST REMAIN WITHIN DIMENSIONS		THIS DRAWING CONTAINS INFORMATION THAT IS PROPRIETARY TO MOLEX INCORPORATED AND SHOULD NOT BE USED WITHOUT WRITTEN PERMISSION		SIZE C																			

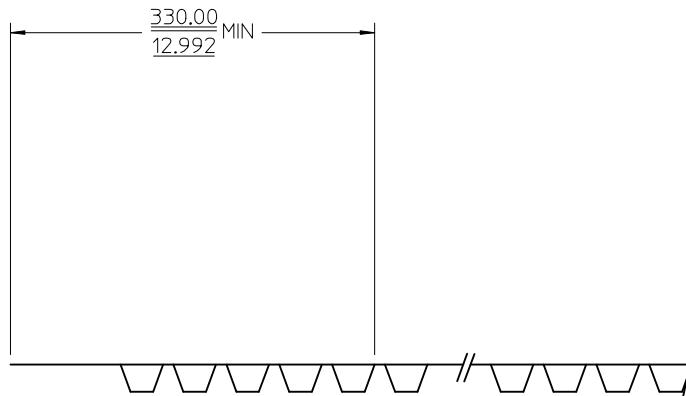
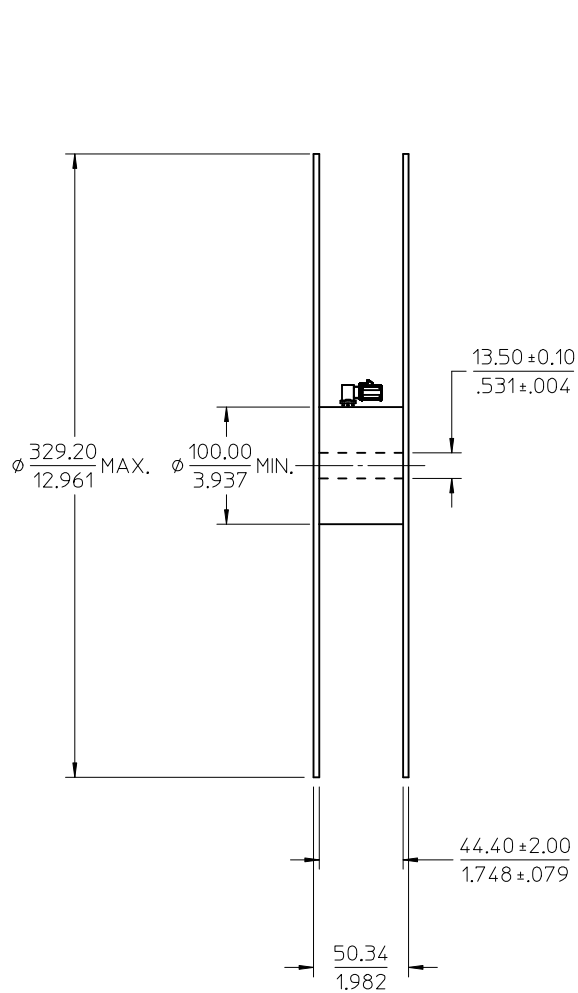
13 12 11 10 9 8 7 6 5 4 3 2 1

J
I
H
G
F
E
D
C
B
A

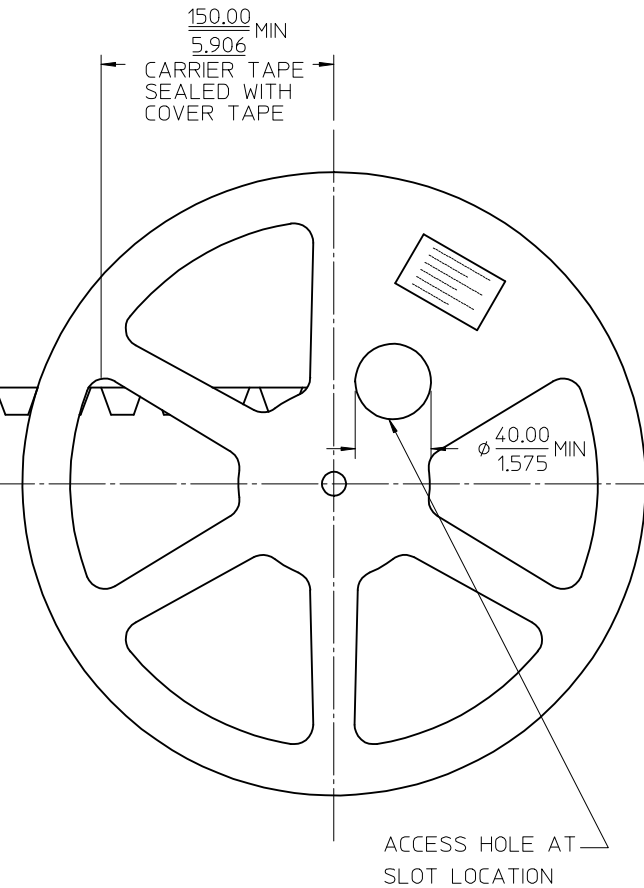


NOTES:
1. 250 CONNECTORS PER REEL ON 330.2 mm (13.0 IN) REEL

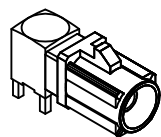
SEE SHEET 1 EC NO: URF2016-0255 DRWN:EL IN 2013/09/24 CHKD: APPR:YCHENG 2015/10/13	QUALITY SYMBOLS	GENERAL TOLERANCES (UNLESS SPECIFIED)	DIMENSION STYLE	SCALE	DESIGN UNITS	THIRD ANGLE PROJECTION
	▽=0	mm INCH	MM/IN	1:1	METRIC	
	▽=0	4 PLACES ± --- ± ---	DRAWN BY DATE	SMB JACK, FAKRA,R/A PCB 50 OHMS T&R SMB-J/PCB/RA molex		
	▽=0	3 PLACES ± --- ± ---	EL IN 2013/09/24			
	2 PLACES ± --- ± ---	CHECKED BY DATE				
	1 PLACE ± --- ± ---	JOANNE 2013/09/24				
	0 PLACE ± --- ± ---	APPROVED BY DATE	DOCUMENT NO.			SHEET NO.
		ANGULAR ± 2 °	SEE SHEET 2			SD-73403-650
		DRAFT WHERE APPLICABLE MUST REMAIN WITHIN DIMENSIONS	THIS DRAWING CONTAINS INFORMATION THAT IS PROPRIETARY TO MOLEX INCORPORATED AND SHOULD NOT BE USED WITHOUT WRITTEN PERMISSION			3 OF 5



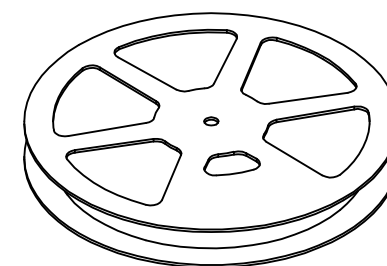
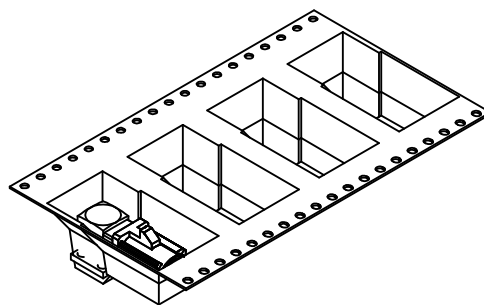
250mm MIN OF CARRIER AND /OR COVER TAPE.
PLUS 80mm MINIMUM OF CARRIER TAPE SEALED
WITH COVER TAPE



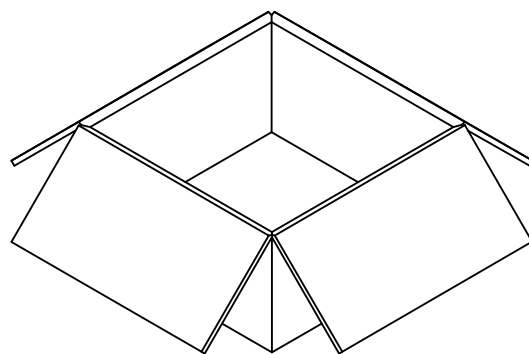
SEE SHEET 1 EC NO: URF2016-0255 DRW:ELIN 2013/09/24 CHKD: APPR:YCHENG 2015/10/13	QUALITY SYMBOLS	GENERAL TOLERANCES (UNLESS SPECIFIED)		DIMENSION STYLE	SCALE	DESIGN UNITS	THIRD ANGLE PROJECTION
	▽=0	mm	INCH	MM/IN	1:2	METRIC	
	▽=0	4 PLACES ± --- ± ---	3 PLACES ± --- ± ---	DRAWN BY DATE	TITLE		
	▽=0	2 PLACES ± --- ± ---	1 PLACE ± --- ± ---	EL IN 2013/09/24	SMB JACK, FAKRA,R/A		
REV	DESCRIPTION	ANGULAR ± 2 °		CHECKED BY DATE	DOCUMENT NO.		
A		DRAFT WHERE APPLICABLE MUST REMAIN WITHIN DIMENSIONS		JOANNE 2013/09/24	SD-73403-650		
				APPROVED BY DATE	SHEET NO.		
				YCHENG 2015/10/13	4 OF 5		
				MATERIAL NO.	THIS DRAWING CONTAINS INFORMATION THAT IS PROPRIETARY TO MOLEX INCORPORATED AND SHOULD NOT BE USED WITHOUT WRITTEN PERMISSION		
				SEE SHEET 2			



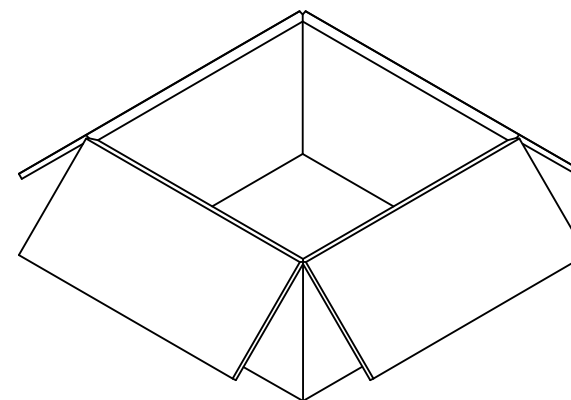
73403-650*



250 SET PER 13" REEL



1000 SET PER INNER
CARTON BOX
343 X 343 X 188 REF.



1000 SET PER OUTER
CARTON BOX
394 X 391 X 212 REF.

SEE SHEET 1 EC NO: URF-2016-0255 DRW: ELIN 2013/09/24 CHKD: DRW: ELIN APPR: YCHENG 2015/10/13	DESCRIPTION QUALITY SYMBOLS ▽=0 ▽=0 ▽=0	GENERAL TOLERANCES (UNLESS SPECIFIED)		DIMENSION STYLE	SCALE	DESIGN UNITS	THIRD ANGLE PROJECTION	
				MM/IN	1:1	METRIC		
				DRAWN BY DATE	TITLE			
				CHECKED BY DATE				
REV A	DESCRIPTION QUALITY SYMBOLS ▽=0 ▽=0 ▽=0			APPROVED BY DATE				
				YCHENG 2015/10/13				
				MATERIAL NO.	DOCUMENT NO.		SHEET NO.	
				SEE SHEET 2	SD-73403-650		5 OF 5	
		DRAFT WHERE APPLICABLE MUST REMAIN WITHIN DIMENSIONS		THIS DRAWING CONTAINS INFORMATION THAT IS PROPRIETARY TO MOLEX INCORPORATED AND SHOULD NOT BE USED WITHOUT WRITTEN PERMISSION				