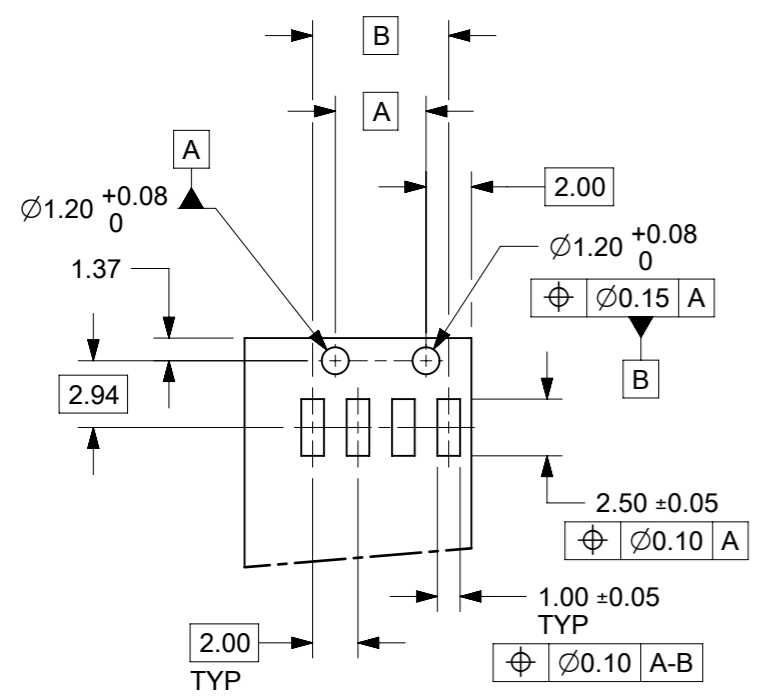
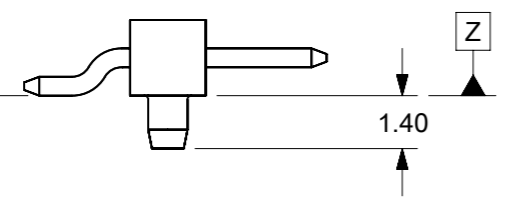
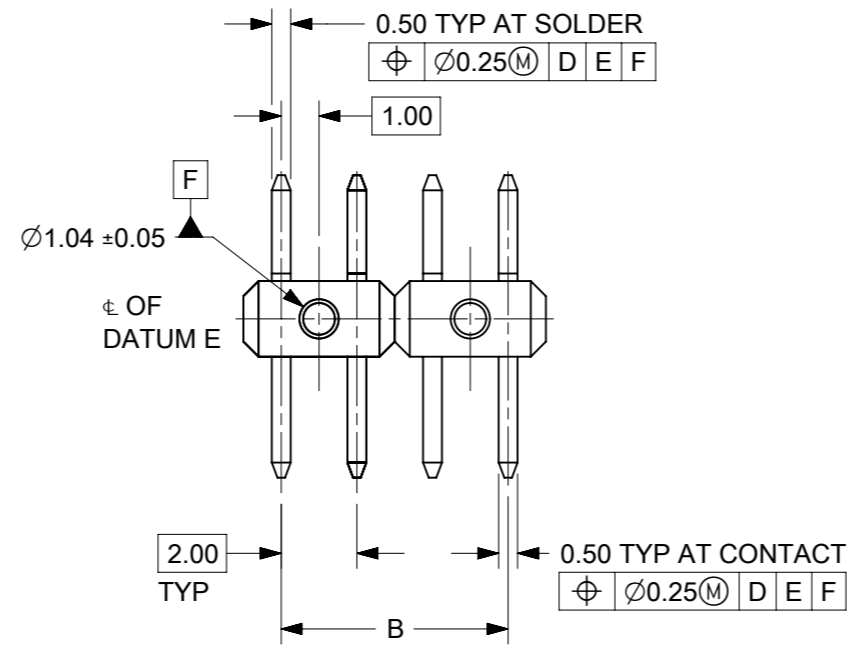


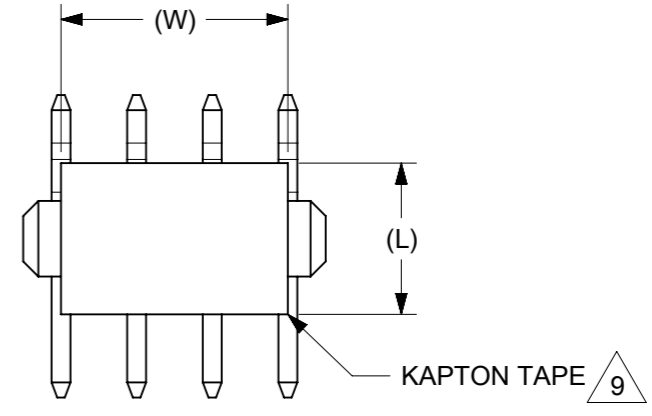
| 8 |      | CKT SIZE |       |
|---|------|----------|-------|
|   | 0.10 | Z        | 02-10 |
|   | 0.15 | Z        | 12-20 |



RECOMMENDED PCB LAYOUT



- NOTES:
- MATERIAL:  
HSG: LCP, GLASS-FILLED, UL94V-0, COLOR:BLACK  
PIN: 0.50mm SQ, COPPER ALLOY
  - PLATING:  
(1) 2.540µm TIN OVERALL PLATING OVER NICKEL OVERALL  
(2) 5.080µm TIN OVERALL PLATING OVER NICKEL OVERALL
  - PACKAGING TYPE: SEE TABLE
  - PACKAGING SPECIFICATION:  
TRAY: PK-89990-544  
TAPE & REEL: PK-89990-484
  - PRODUCT SPEC PS-87761-100 APPLIES
  - IRREGULAR CIRCUIT CUTOFF WITHIN BREAKAWAY SECTION IS PERMISSIBLE. MEASUREMENT AT BOTH ENDS, FROM CUT END TO THE CENTRELINE OF THE HOUSING CORE HOLE OF THE FIRST PIN REMAINS AT 1.00±0.20MM. CUTTING AND CHIPPING OF THE MAIN BODY IS NOT ACCEPTABLE.
  - THE ABOVE CKT 4 IS FOR ILLUSTRATION PURPOSE ONLY
  - COPLANARITY IS TO BE MEASURED BY RESTING THE SOLDER TAIL ON A GAUGE SURFACE
  - KAPTON TAPE LOCATION IS CENTERED ALONG THE PART AS SHOWN.
  - RECOMMENDED PCB BOARD THICKNESS: 1.60±0.10mm




|   |       |  |  |                |  |
|---|-------|--|--|----------------|--|
| THIS DRAWING CONTAINS INFORMATION THAT IS PROPRIETARY TO MOLEX ELECTRONIC TECHNOLOGIES, LLC AND SHOULD NOT BE USED WITHOUT WRITTEN PERMISSION |       | CURRENT REV DESC: BRIGHT TIN PHASE OUT |  |                |  |
| DIMENSION UNITS   | SCALE |  |  |                |  |
| mm  | NTS   |  |  | CUSTOMER       |  |
| GENERAL TOLERANCES (UNLESS SPECIFIED)   |       |  |  | CUSTOMER       |  |
| ANGULAR TOL ± 3.0°  |       |  |  | CUSTOMER       |  |
| 4 PLACES ±  |       |  |  | CUSTOMER       |  |
| 3 PLACES ±  |       |  |  | CUSTOMER       |  |
| 2 PLACES ± 0.2  |       |  |  | CUSTOMER       |  |
| 1 PLACE ±   |       |  |  | CUSTOMER       |  |
| 0 PLACES ±  |       |  |  | CUSTOMER       |  |
| DRAFT WHERE APPLICABLE MUST REMAIN WITHIN DIMENSIONS  |       |  |  | CUSTOMER       |  |
| THIRD ANGLE PROJECTION  |       | DRAWING                                |  | SHEET NUMBER   |  |
|   |       | A3-SIZE                                |  | 1 OF 3         |  |
| SERIES  |       | MATERIAL NUMBER                        |  | CUSTOMER       |  |
| 87858   |       | SEE TABLE                              |  | GENERAL MARKET |  |
| DOCUMENT NUMBER   |       | DOC TYPE                               |  | DOC PART       |  |
| SD-87858-001  |       | PSD                                    |  | 001            |  |
| REVISION  |       | REVISION                               |  | REVISION       |  |
| C6  |       | C6                                     |  | C6             |  |

| CKT SIZE | DIMENSION |       |       |
|----------|-----------|-------|-------|
|          | A         | B     | C     |
| 02       | 4.00      | 2.00  | -     |
| 04       | 8.00      | 6.00  | 4.00  |
| 06       | 12.00     | 10.00 | 8.00  |
| 08       | 16.00     | 14.00 | 12.00 |
| 10       | 20.00     | 18.00 | 16.00 |
| 12       | 24.00     | 22.00 | 20.00 |
| 14       | 28.00     | 26.00 | 24.00 |
| 16       | 32.00     | 30.00 | 28.00 |
| 18       | 36.00     | 34.00 | 32.00 |
| 20       | 40.00     | 38.00 | 36.00 |

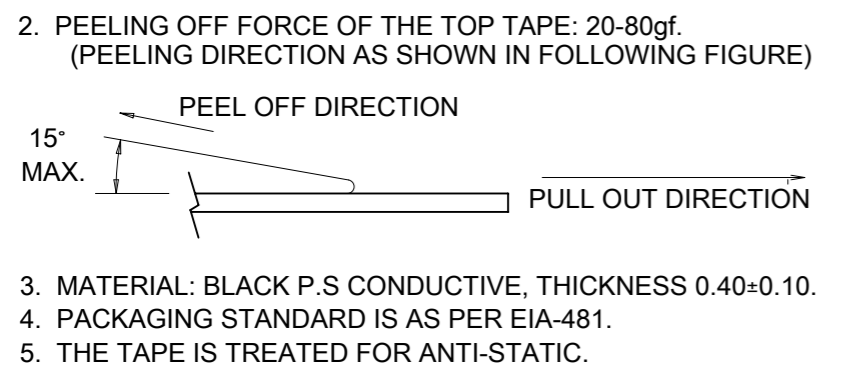
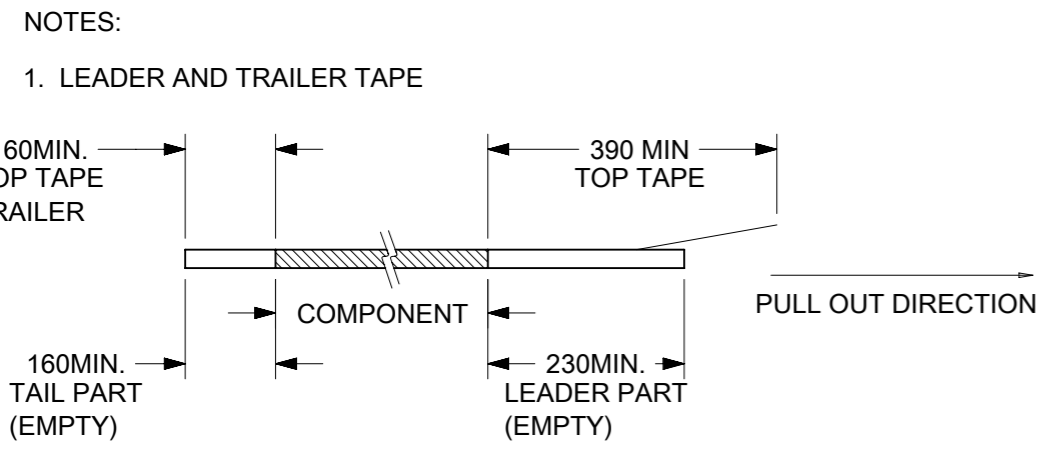
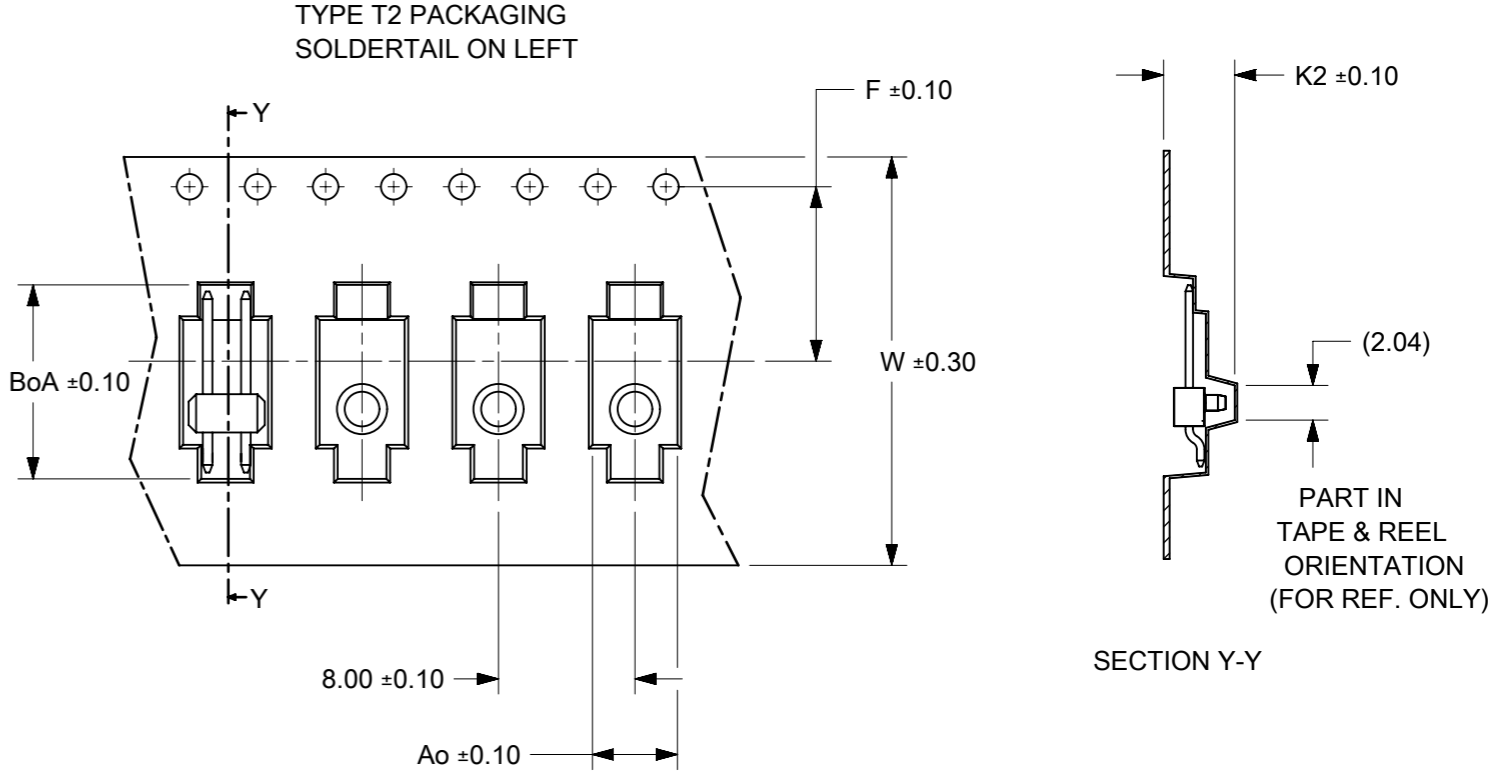
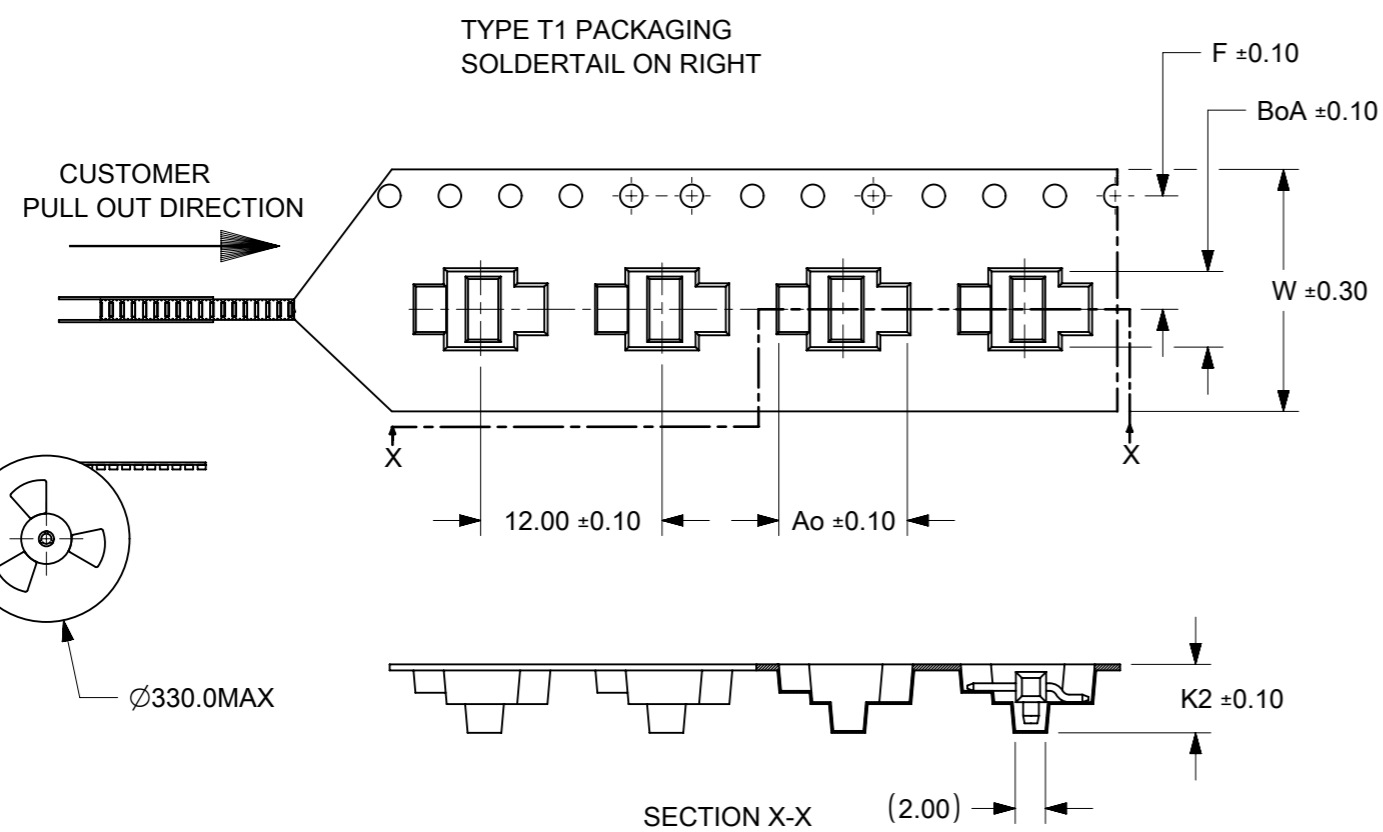
| PART NO.<br>IN TAPE & REEL<br>PACKAGING | PART NO.<br>IN TRAY<br>PACKAGING | CKT<br>SIZE | PEG | PLATE<br>OPT. | VOID<br>POSITION | KAPTON<br>TAPE | DIMENSION |               |                |             | PACKAGING<br>TYPE |    |
|---|----------------------------------|-------------|-----|---------------|------------------|----------------|-----------|---------------|----------------|-------------|-------------------|----|
|   |                                  |             |     |               |                  |                | F         | MATING<br>END | SOLDER<br>TAIL | KAPTON TAPE |                   |    |
|   |                                  |             |     |               |                  |                |           | M             | P              | W           |                   | L  |
| -                                       | 87858-0002                       | 2           | Y   | 1             | ---              | N              | 8.00      | 3.20          | 2.80           | -           | -                 | -  |
| 87858-0250                              | -                                | 2           | N   | 1             | ---              | Y              | 8.00      | 3.20          | 2.80           | 4.00        | 3.00              | T1 |
| 87858-0003                              | 87858-0001                       | 2           | Y   | 1             | ---              | N              | 10.80     | 6.00          | 2.80           | -           | -                 | T2 |
| 87858-0005                              | 87858-0006                       | 2           | N   | 1             | ---              | N              | 10.80     | 6.00          | 2.80           | -           | -                 | T2 |
| -                                       | 87858-0004                       | 4           | Y   | 1             | ---              | N              | 8.00      | 3.20          | 2.80           | -           | -                 | -  |
| 87858-0450                              | -                                | 4           | N   | 1             | ---              | Y              | 8.00      | 3.20          | 2.80           | 4.00        | 4.00              | T1 |
| 87858-0460                              | -                                | 4           | N   | 1             | ---              | Y              | 8.97      | 4.17          | 2.80           | 4.00        | 4.00              | T1 |
| 87858-0461                              | -                                | 4           | N   | 1             | ---              | Y              | 8.97      | 4.17          | 2.80           | 4.00        | 4.00              | T1 |

Ⓒ6

|   |         |   |  |         |  |       |  |   |  |                |          |              |
|---|---------|---|--|---------|--|-------|--|---|--|----------------|----------|--------------|
| THIS DRAWING CONTAINS INFORMATION THAT IS PROPRIETARY TO MOLEX ELECTRONIC TECHNOLOGIES, LLC AND SHOULD NOT BE USED WITHOUT WRITTEN PERMISSION |         |   |  |         |  |       |  |   |  |                |          |              |
| DIMENSION UNITS   | SCALE   | CURRENT REV DESC: BRIGHT TIN PHASE OUT  |  |         |  |       |  |  |  |                |          |              |
| mm  | NTS     |   |  |         |  |       |  |   |  |                |          |              |
| GENERAL TOLERANCES (UNLESS SPECIFIED)   |         | EC NO: 679909<br>DRWN: AKUMAR19 2021/06/25<br>CHK'D: MRAMAKRISHNA 2021/10/11<br>APPR: MRAMAKRISHNA 2021/10/11<br>INITIAL REVISION:<br>DRWN: KSEE 2003/12/14<br>APPR: PTLIM 2003/12/15 |  |         |  |       |  | CUSTOM HEADER<br>2MM SINGLE ROW HDR IN SMT WITH PEG,<br>BREAKAWAY                     |  |                |          |              |
| ANGULAR TOL   | ± 3.0 ° |   |  |         |  |       |  | PRODUCT CUSTOMER DRAWING  |  |                |          |              |
| 4 PLACES  | ±       |   |  |         |  |       |  | DOCUMENT NUMBER   |  | DOC TYPE       | DOC PART | REVISION     |
| 3 PLACES  | ±       |   |  |         |  |       |  | SD-87858-001  |  | PSD            | 001      | C6           |
| 2 PLACES  | ± 0.2   |   |  |         |  |       |  | MATERIAL NUMBER   |  | CUSTOMER       |          | SHEET NUMBER |
| 1 PLACE   | ±       |   |  |         |  |       |  | SEE TABLE   |  | GENERAL MARKET |          | 2 OF 3       |
| 0 PLACES  | ±       | DRAWING   |  | SERIES  |  |       |  |   |  |                |          |              |
| DRAFT WHERE APPLICABLE MUST REMAIN WITHIN DIMENSIONS  |         | THIRD ANGLE PROJECTION  |  | A3-SIZE |  | 87858 |  |   |  |                |          |              |

|                 |    |              |            |          |
|-----------------|----|--------------|------------|----------|
| DOCUMENT STATUS | P1 | RELEASE DATE | 2021/10/11 | 11:53:24 |
|-----------------|----|--------------|------------|----------|

| PACKAGING TYPE | CKT | DIMENSION |      |      |       |       | PACKABLE QTY |
|----------------|-----|-----------|------|------|-------|-------|--------------|
|                |     | BoA       | Ao   | K2   | F     | W     |              |
| T1             | 2   | 5.00      | 8.50 | 4.40 | 7.50  | 16.00 | 1200         |
|                | 4   | 9.00      | 8.50 | 4.40 | 11.50 | 16.00 | 1200         |
| T2             | 2   | 11.40     | 5.00 | 4.20 | 11.50 | 24.00 | 2000         |



THIS DRAWING CONTAINS INFORMATION THAT IS PROPRIETARY TO MOLEX ELECTRONIC TECHNOLOGIES, LLC AND SHOULD NOT BE USED WITHOUT WRITTEN PERMISSION

|  |       |  |            |   |                 |                |  |
|--|-------|--|------------|---|-----------------|----------------|--|
| DIMENSION UNITS                                      | SCALE | CURRENT REV DESC: BRIGHT TIN PHASE OUT |            | <b>molex</b>  |                 |                |  |
| mm   | NTS   |  |            |   |                 |                |  |
| GENERAL TOLERANCES (UNLESS SPECIFIED)                |       |  |            | CUSTOM HEADER<br>2MM SINGLE ROW HDR IN SMT WITH PEG,<br>BREAKAWAY |                 |                |  |
| ANGULAR TOL ± 3.0°                                   |       |  |            | PRODUCT CUSTOMER DRAWING  |                 |                |  |
| 4 PLACES   | ±     | EC NO: 679909                          |            | DOCUMENT NUMBER   |                 |                |  |
| 3 PLACES   | ±     | DRWN: AKUMAR19                         | 2021/06/25 | SD-87858-001  |                 |                |  |
| 2 PLACES   | ± 0.2 | CHK'D: MRAMAKRISHNA                    | 2021/10/11 | DOC TYPE  | DOC PART        | REVISION       |  |
| 1 PLACE  | ±     | APPR: MRAMAKRISHNA                     | 2021/10/11 | PSD   | 001             | C6             |  |
| 0 PLACES   | ±     | INITIAL REVISION:                      |            | SHEET NUMBER  |                 |                |  |
|  |       | DRWN: KSEE                             | 2003/12/14 | 3 OF 3  |                 |                |  |
|  |       | APPR: PTLIM                            | 2003/12/15 |   |                 |                |  |
| DRAFT WHERE APPLICABLE MUST REMAIN WITHIN DIMENSIONS |       | THIRD ANGLE PROJECTION                 | DRAWING    | SERIES  | MATERIAL NUMBER | CUSTOMER       |  |
|  |       |  | A3-SIZE    | 87858   | SEE TABLE       | GENERAL MARKET |  |