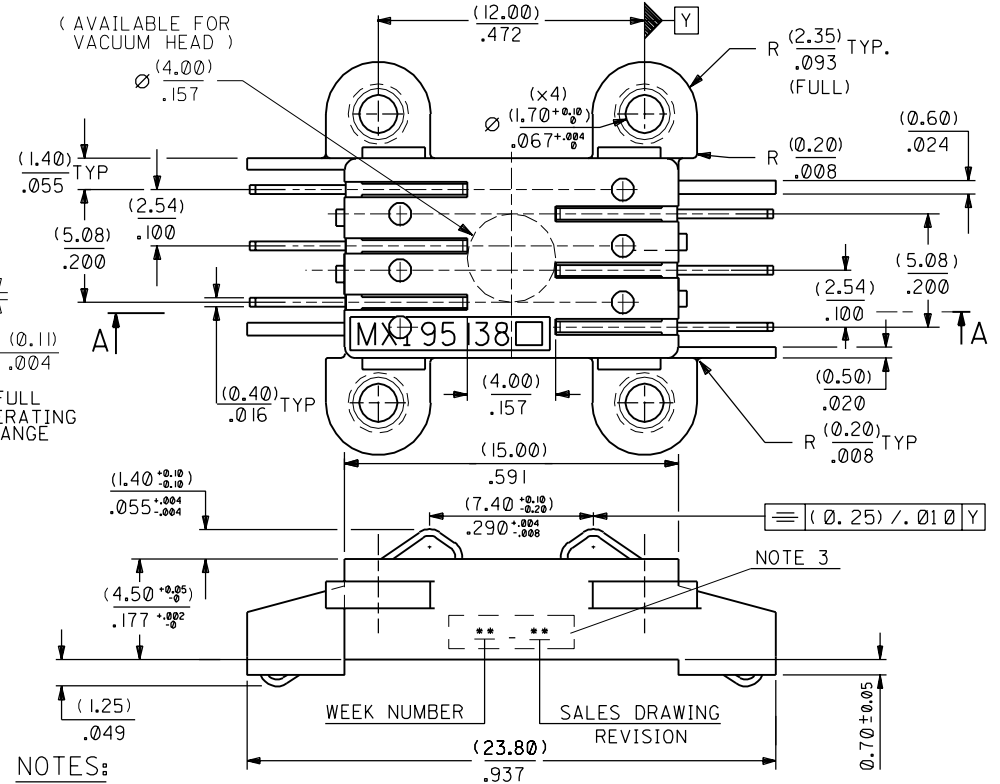
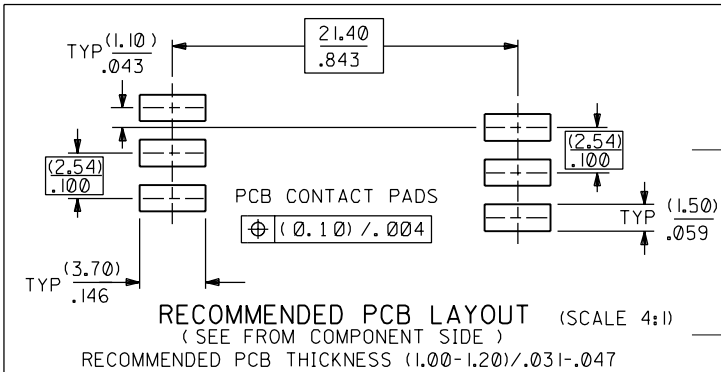
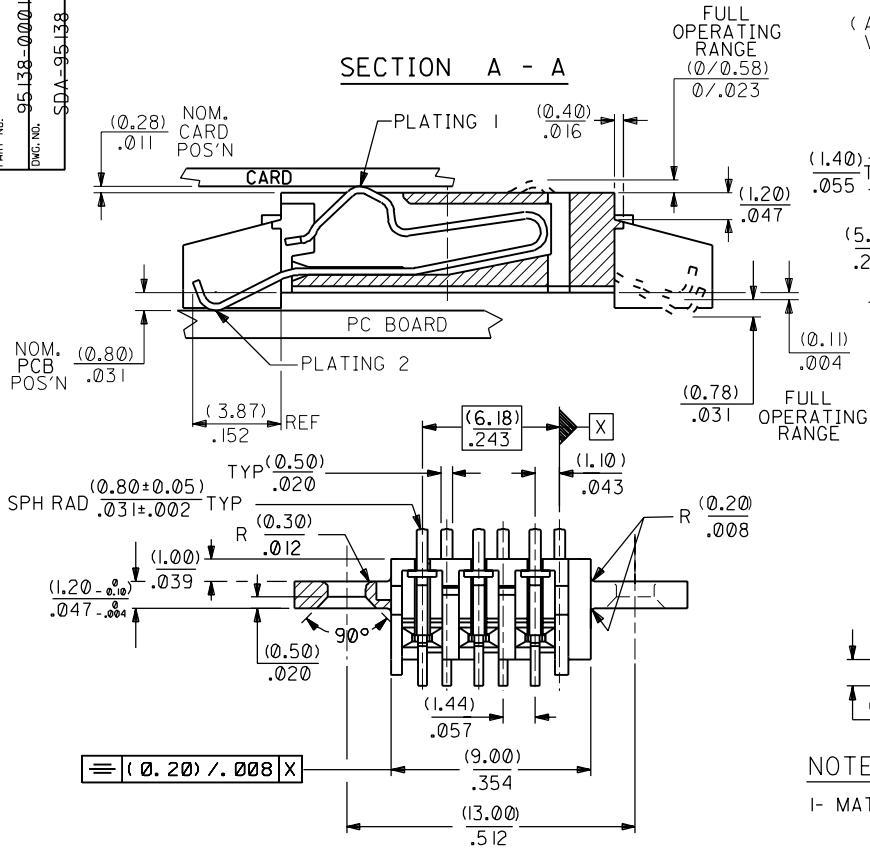


SECTION A - A



- NOTES:
- 1- MATERIAL: HOUSING : GLASS FILLED PBT, RATED UL 94V-0, COLOR BLACK  
CONTACT : (0.30)/.012 REF. PHOSPHOR BRONZE.
  - 2- PLATING 1 : NICKEL (1.27u)/50u INCH MIN. UNDERCOAT OVERALL.  
GOLD FLASH (0.10u)/4u INCH MIN. OVER PALLADIUM-NICKEL.  
PLATING 2 : NICKEL (1.27u)/50u INCH MIN. UNDERCOAT OVERALL.  
GOLD (0.38u)/15u INCH MIN. IN CONTACT AREA (PC BOARD AREA)
  - 3- PRODUCT ID MARK, CHARACTERS TO BE HOT STAMPED (1.5)/.060 HIGH

FOR PREVIOUS DRAWING ISSUES SEE MRI

MOD. CONTACT HEIGHT ECN E50298 95.10.19 FM	DIMENSIONS SHOWN ( METRIC ) INCH UNLESS OTHERWISE SPECIFIED TOLERANCES: ANGULAR ± 1°	DRWG BY CB
LTR	INCH ( METRIC ) 3 PLACE ± .004 2 PLACE ± .008 ± 0.10 1 PLACE ± 0.20 DRAFT WHERE APPLICABLE MUST REMAIN WITHIN DIMENSIONS	CHK'D BY
F	DESIGN DIMENSION (MM) <input checked="" type="checkbox"/> IN. (PRIMARY) <input type="checkbox"/> IN.	APP'D BY
	EQUIVALENT DIMENSION (MM) <input type="checkbox"/> IN. (SECONDARY) <input checked="" type="checkbox"/> IN.	SCALE 5:1

REVISE ONLY ON CAD SYSTEM		SHL. REV.
CAD/CAM FILENAME 95518X1 DDN	THIS DRAWING CONTAINS INFORMATION THAT IS PROPRIETARY TO MOLEX INC. & SHOULD NOT BE USED WITHOUT WRITTEN PERMISSION	
TITLE SIM CARD CONNECTOR		
molex MOLEX EUROPE		SHEET NO. DATE 1 OF 1 93/09/14
PART NO. 95138-0001	DWG NO. SDA-95138	SIZE B