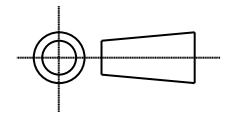


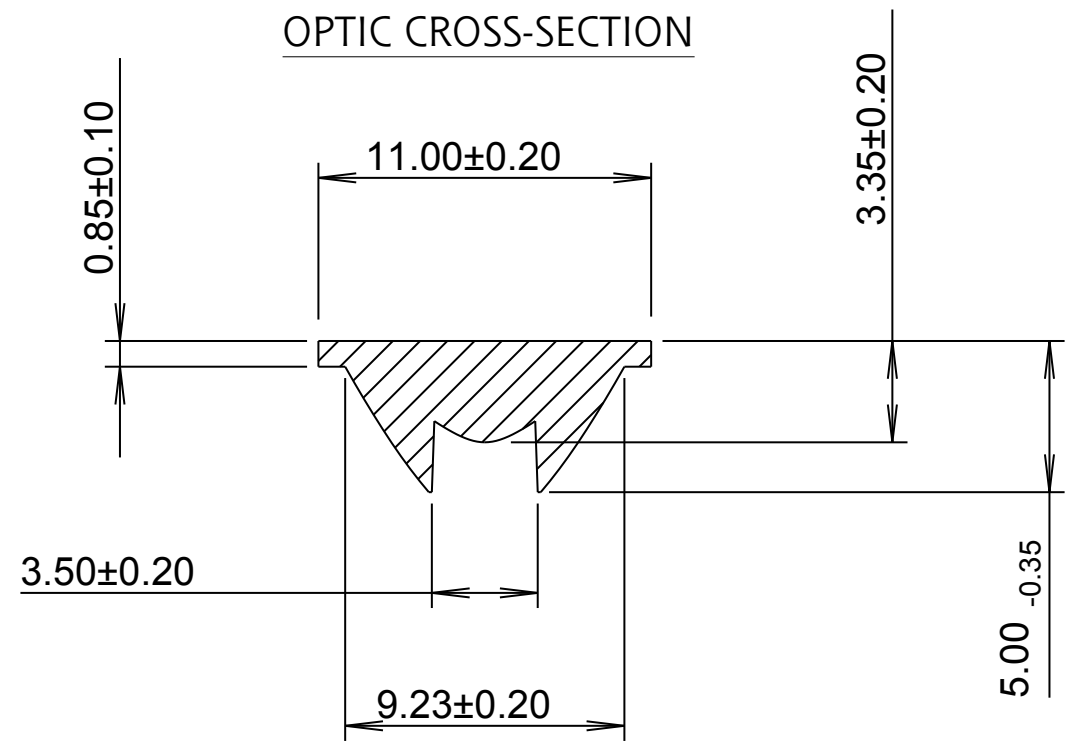
ISS.	DATE	E.C.N.	DESCRIPTION
3	26-June-09	06/09/1247	PART NO. BOX ADDED

© 2008 CARCLO  
ALL DIMENSIONS IN mm



CARCLO TECHNICAL PLASTICS (SLOUGH)  
111 BUCKINGHAM AVE, SLOUGH  
SL1 4PF, ENGLAND  
TEL: +44 1753 575011 FAX: +44 1753 811359  
e-mail: design@carclo-optics.com}

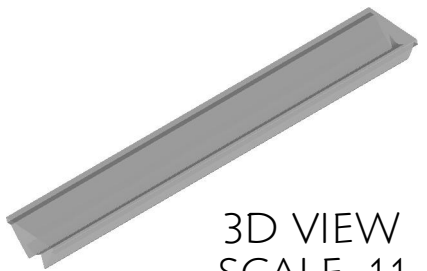
CUSTOMER DRAWING  
OPTIC CROSS-SECTION



GENERAL TOLERANCES (UNLESS STATED)

LINEAR	ANGULAR
X +/- 0.25	X +/- 1°
X.X +/- 0.1	X.X +/- 0.5°
X.XX +/- 0.05	X.XX +/- 0.1°

CUSTOMER	CARCLO	
TITLE	CONTINUOUS STRIP OPTIC 11 MM WIDE	
DRAWN	DATE	13-Nov-07
CHK'D	DATE	
APP'D	DATE	



3D VIEW  
SCALE 1:1

MATERIAL: POLYCARBONATE

PART NO.	LENGTH (mm)
10397	1200
10398	300

SCALE	CARCLO PART No.	
4:1	SEE TABLE	
SIZE	CARCLO DRG. No.	SHEET
A4	60547	1 OF 1