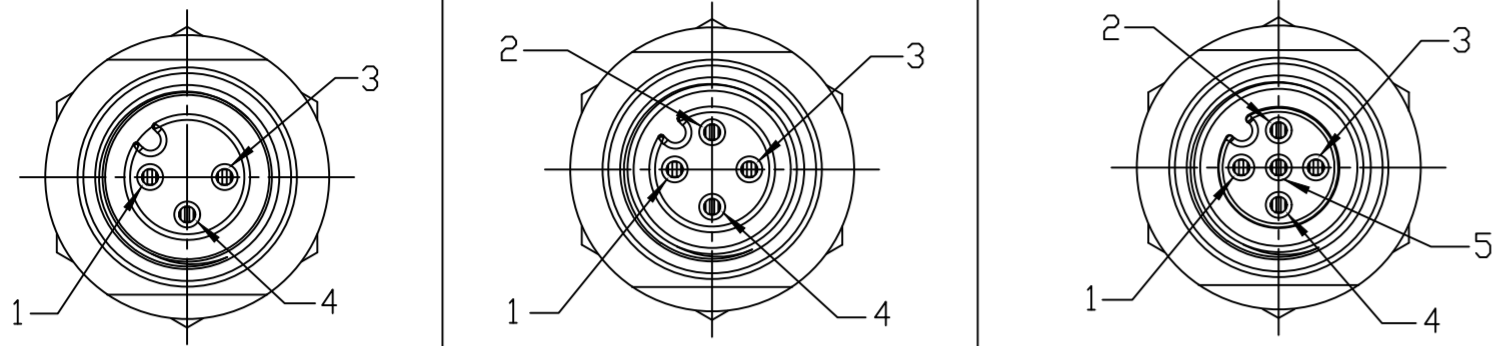


# FACE VIEW - FEMALE INSERT



1 BROWN  
3 BLUE  
4 BLACK

1 BROWN  
2 WHITE  
3 BLUE  
4 BLACK

1 BROWN  
2 WHITE  
3 BLUE  
4 BLACK  
5 GRAY

### PART NUMBER LEGEND

8R3A00A18A1201

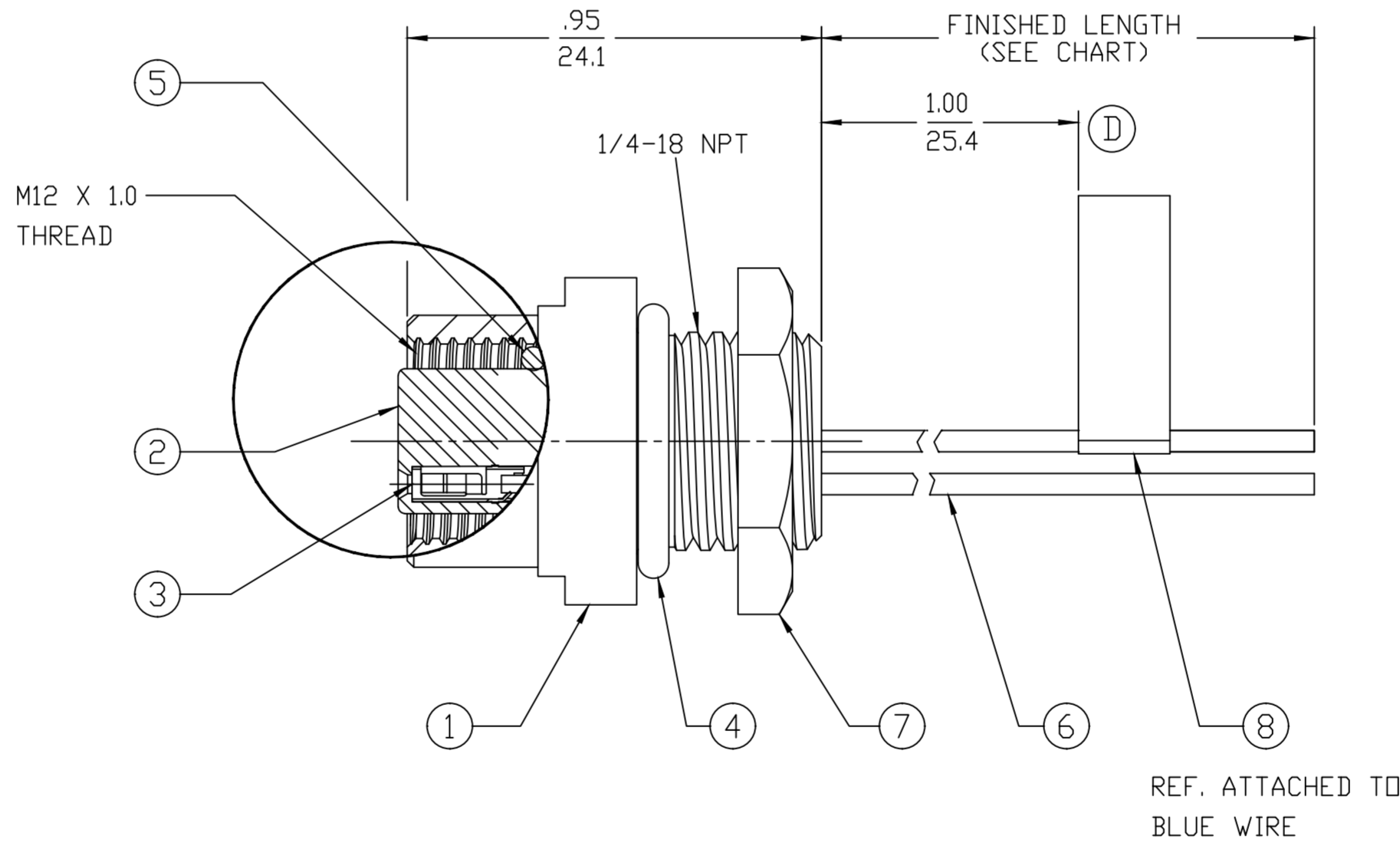
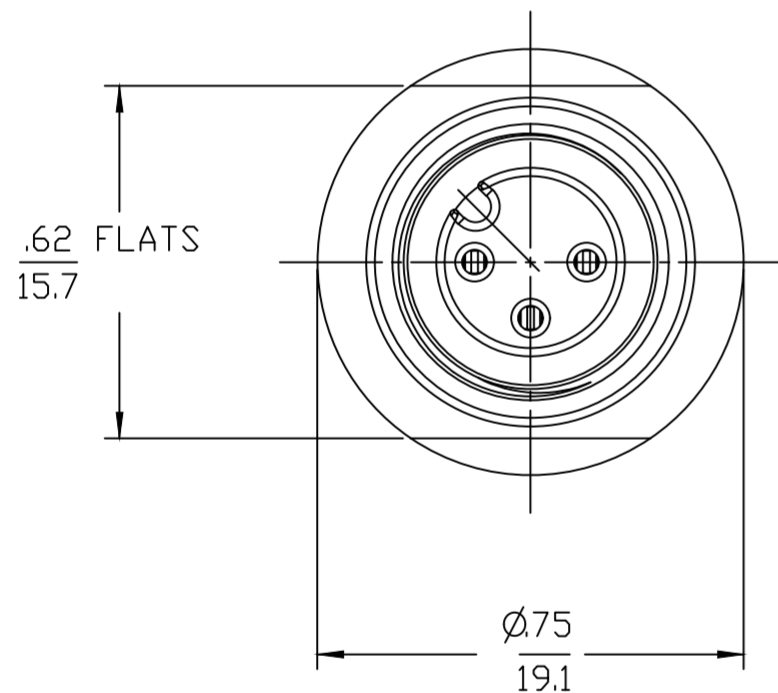
FINISHED LENGTH:  
A120= 12 INCHES  
M005= 0.5 METER  
M010= 1 METER  
M100= 10 METER

SHELL MATERIAL/FINISH  
BLANK= ALUMINUM/BLACK ANODIZED  
1 = 303 ST. STEEL  
3 = BRASS/NICKEL PLATE  
8 = 316 ST. STEEL

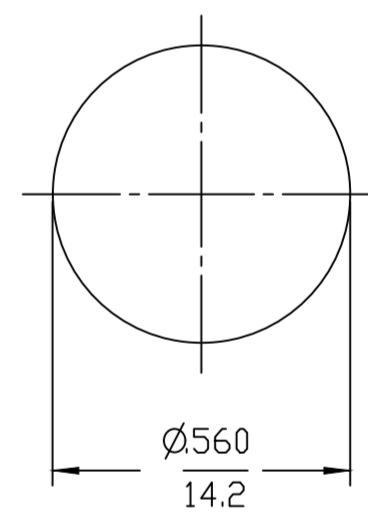
PART NUMBER	POLES	DESCRIPTION	FINISHED LENGTH
1200700056	3	8R3A00A18A120	12.0" +.75" -0 [0.3M +19.1MM -0]
1200700114	4	8R4A00A18A120	12.0" +.75" -0 [0.3M +19.1MM -0]
1200700201	5	8R5A00A18A120	12.0" +.75" -0 [0.3M +19.1MM -0]
1200700119	4	8R4A00A18M010	3.28' +2.19" -0 [1M +55.6MM -0]

### NOTES:

- MATERIAL: SEE TABLE
- FINISHES: SEE TABLE
- ELECTRICAL SPECIFICATIONS  
VOLTAGE RATING: 250V  
CURRENT RATING: 4 AMPS
- PROTECTION: IP67 (WHEN MATED)
- DIMS SHOWN ARE FOR REFERENCE ONLY



REF. KNOCK-OUT HOLE



REF. ATTACHED TO  
BLUE WIRE

FINAL ASSEMBLY  
1200700056 (SHOWN)

8	FLAG LABEL	VINYL	BLACK/YELLOW
7	PANEL NUT	STEEL	ZINC PLATED
6	WIRE, 22-1	PVC INSULATED	SEE FACE VIEWS
5	O-RING (MATING)	VITON	RED
4	O-RING (PANEL)	NITRILE	BLACK
3	CONTACT SOCKET	Cu ALLOY	GOLD PLATED
2	INSERT, FEMALE	NYLON	BLACK
1	SHELL	SEE P/N LEGEND	SEE P/N LEGEND
ITEM	DESCRIPTION	MATERIAL	FINISH

CABLE LENGTH TOLERANCES

<.3M [1FT]: +19mm-0 [+1.75in-0]
.3 - .9M [1 - 3FT]: +44.5mm-0 [+1.75in-0]
.9 - 1.8M [3 - 6FT]: +55.6mm-0 [+2.19in-0]
1.8 - 3.7M [6 - 12FT]: +88.9mm-0 [+3.50in-0]
3.7 - 7.3M [12 - 24FT]: +165.1mm-0 [+6.50in-0]
7.3-14.6M [24 - 48FT]: +317.5mm-0 [+12.50in-0]
14.6 - 30.5M [48-100FT]: +622.3mm-0 [+24.50in-0]
OVER 30M [100FT] +2% OF FINISHED LENGTH

FUNCTIONAL SYMBOLS									
FA=0	THIS DRAWING CONTAINS INFORMATION THAT IS PROPRIETARY TO MOLEX ELECTRONIC TECHNOLOGIES, LLC AND SHOULD NOT BE USED WITHOUT WRITTEN PERMISSION	DIMENSION UNITS		SCALE		CURRENT REV DESC: ADD NEW PN, UPDATE LENGTH PER MANUFACTURING DOC, ADD TOL BLOCK			
FC=0		INCH/MM		NTS					
FP=0		GENERAL TOLERANCES (UNLESS SPECIFIED)							
DIVISIONAL SYMBOLS		mm		INCH		EC NO: 690994			
		4 PLACES ±----		±----		DRWN: CCHRSTKA 2022/01/05			
		3 PLACES ±----		±----		CHK'D: RSTONE 2022/01/07			
		2 PLACES ±----		±----		APPR: BWOODMAN 2022/01/07			
		1 PLACE ±----		±----		INITIAL REVISION:			
		0 PLACES ±----		±----		DRWN: NKUMAR01 2009/08/27			
		ANGULAR TOL ± ---- °		THIRD ANGLE PROJECTION		DRAWING		SERIES	
		DRAFT WHERE APPLICABLE MUST REMAIN WITHIN DIMENSIONS		THIRD ANGLE PROJECTION		C-SIZE		120070	
						MATERIAL NUMBER		CUSTOMER	
						SEE TABLE		GENERAL MARKET	
						DOCUMENT NUMBER		DOC TYPE/DOC PART/REVISION	
						SD-120070-056		PSD 001 D	
						SHEET NUMBER		1 OF 1	