



CABLE PRINT - according to WN-00017
(Molex "Material-No" MXyyyww)

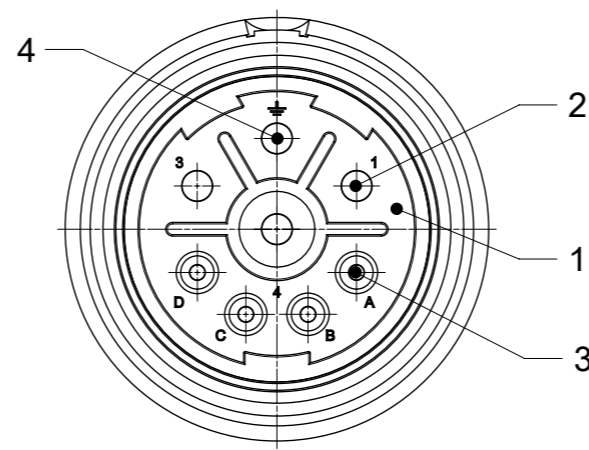
Technical Data:

Number of positions	4 + 3 + PE	
Number of contacts	4	4
Contact Ø [mm]	1	2
Nominal current [A]	12	18
Nominal voltage [V~]	300	600
Degree of pollution 3		
Test voltage [V~]	2500	4000
Max. contact resistance [mΩ]	3	
Insulation resistance [MΩ]	> 10 ¹³	
Protection	IP 67 (connected)	
Temperature range fixed	-25°C to +85°C	

Further technical data see
Product Specification PS-120480-001.
Electrical Test acc. PS-120480-001.

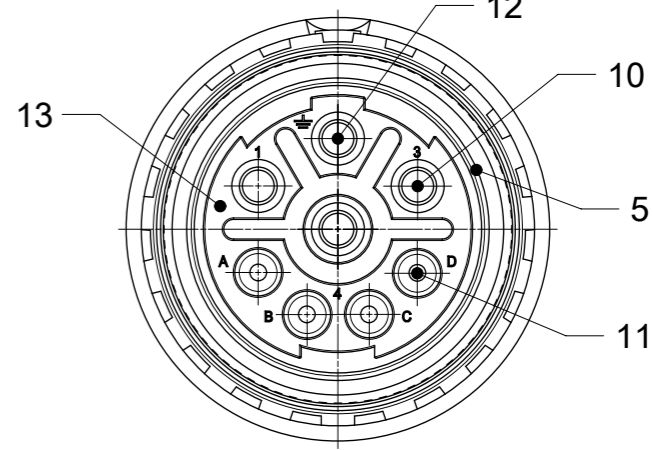
Packaging:
The cordsets delivered packed into carton
without PE-bag.

Connector pin assignment
Plug M23 4+3+PE MA



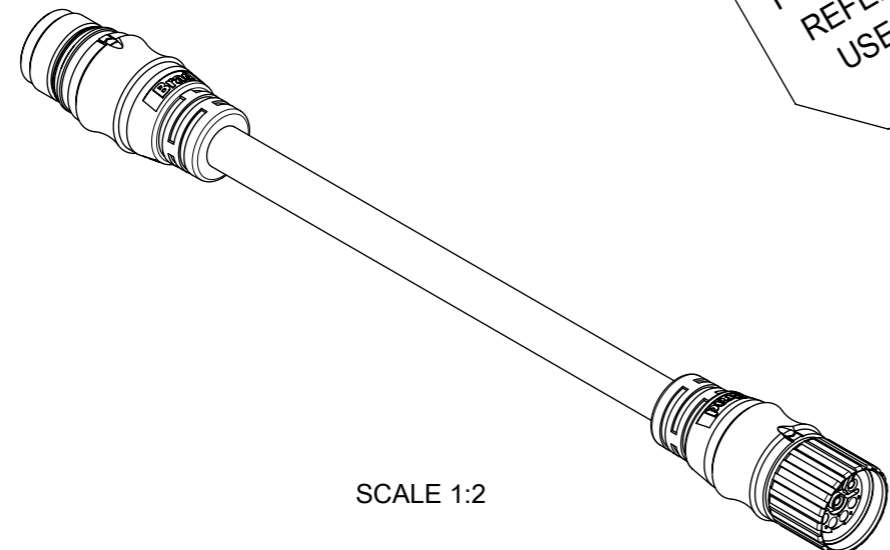
SCALE 2:1

Connector pin assignment
Plug M23 4+3+PE FE



SCALE 2:1

PRE-RELEASE
REFERENCE
USE ONLY



SCALE 1:2

TABLE 1

MOLEX PN	L [mm]	Tol.[mm]
1204800588	1000	+40
1204800589	2000	+60
1204800590	3000	+60
1204800591	4000	+60
1204800592	5000	+60
1204800593	10000	+80
1204800594	15000	+140
1204800595	20000	+140

THIS DRAWING CONTAINS INFORMATION THAT IS PROPRIETARY TO MOLEX ELECTRONIC TECHNOLOGIES, LLC AND SHOULD NOT BE USED WITHOUT WRITTEN PERMISSION												
QUALITY SYMBOLS	2016/04/06	GENERAL TOLERANCES (UNLESS SPECIFIED)		DIMENSION UNITS	SCALE	 CSE M23 4P+3P+1PE PC MA STR WSOR FE SH						
		ANGULAR TOL ± 1.0 °		MM	1:1							
		4 PLACES ±	DATE		FGAIK							2015/11/30
		3 PLACES ± 0.0	DATE									
2 PLACES ± 0.05	EC NO: 107396 DRWN: MSCHERER CHK'D: APPR:	1 PLACE ± 0.3	DATE		PRODUCT CUSTOMER DRAWING							
0 PLACES ± 0.5		DATE		SERIES MATERIAL NUMBER CUSTOMER								
DRAFT WHERE APPLICABLE MUST REMAIN WITHIN DIMENSIONS		DATE		120480 SEE TABLE 1								
	A2	REV	DRAWING SIZE		THIRD ANGLE PROJECTION	DOCUMENT NUMBER		DOC TYPE	DOC PART	SHEET NUMBER		
			A3			1204800760		PSD	000	1 OF 2		

E

D

C

B

A

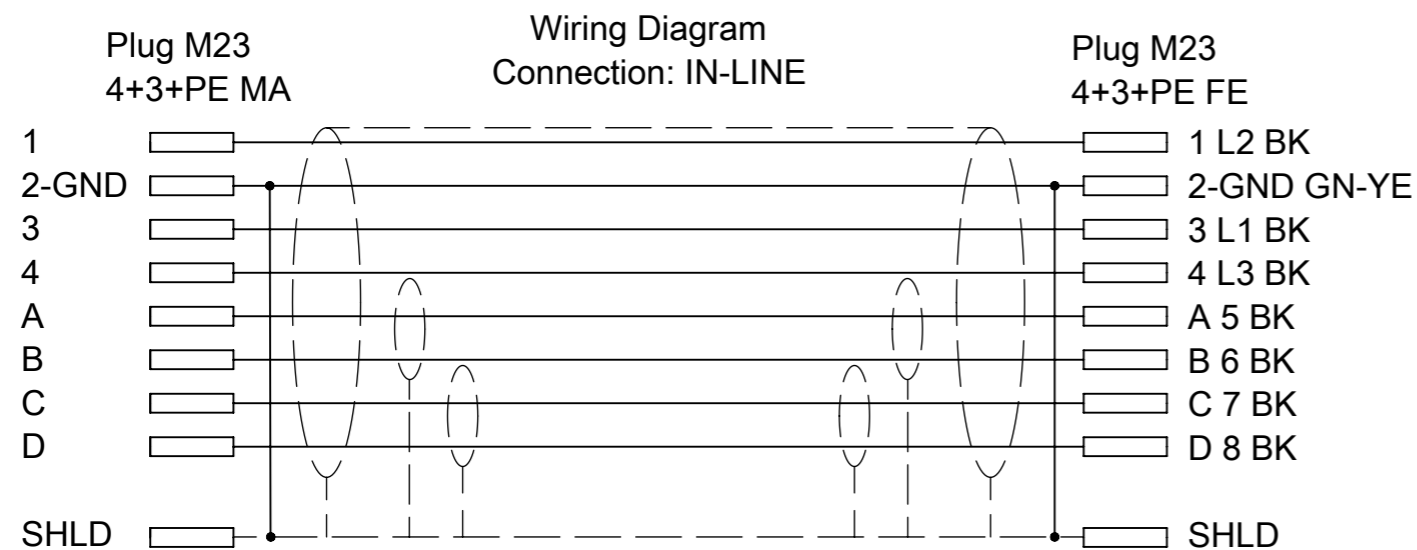


TABLE 2

POS	QTY	DESCRIPTION	MATERIAL	FINISH
1	1	INSERT M23 MA	PA	BLACK
2	3	CONTACT 20 MA	COPPER ALLOY	GOLD OVER NICKEL
3	4	CONTACT 10 MA	COPPER ALLOY	GOLD OVER NICKEL
4	1	GROUNDING 20 MA	COPPER ALLOY	GOLD OVER NICKEL
5	2	GASKET OR	NBR	BLACK
6	1	SHELL M23 MA	BRASS	NICKEL PLATED
7	2	OVERMOULD	TPU	BLACK
8	1	CABLE	WSOR	ORANGE
9	1	NUT M23 FE	BRASS	NICKEL PLATED
10	3	CONTACT 20 FE	COPPER ALLOY	GOLD OVER NICKEL
11	4	CONTACT 10 FE	COPPER ALLOY	GOLD OVER NICKEL
12	1	GROUNDING 20 FE	COPPER ALLOY	GOLD OVER NICKEL
13	1	INSERT M23 FE	PA	BLACK
14	1	SHELL M23 FE	BRASS	NICKEL PLATED

PRE-RELEASE
REFERENCE
USE ONLY

QUALITY SYMBOLS A = 0 E = 0 F = 0 G = 0 H = 0 I = 0 J = 0 K = 0 L = 0 M = 0 N = 0 O = 0	THIS DRAWING CONTAINS INFORMATION THAT IS PROPRIETARY TO MOLEX ELECTRONIC TECHNOLOGIES, LLC AND SHOULD NOT BE USED WITHOUT WRITTEN PERMISSION				
	EC NO: 107396 DRWN: MSCHERER CHK'D: APPR:	GENERAL TOLERANCES (UNLESS SPECIFIED) ANGULAR TOL ± 1.0 °		DIMENSION UNITS MM	SCALE 1:1
		4 PLACES ±	DRWN BY FGAIK		DATE 2015/11/30
		3 PLACES ± 0.0 2 PLACES ± 0.05 1 PLACE ± 0.3 0 PLACES ± 0.5	CHK'D BY		DATE
DRAFT WHERE APPLICABLE MUST REMAIN WITHIN DIMENSIONS		DRAWING SIZE A3	THIRD ANGLE PROJECTION		
A2		PRODUCT CUSTOMER DRAWING		SERIES 120480	
RELEASE STATUS RQ RELEASE DATE 11.08.2016 14:53:31		MATERIAL NUMBER SEE SHEET 1		CUSTOMER	
DOCUMENT NUMBER 1204800760		DOC TYPE PSD	DOC PART 000	SHEET NUMBER 2 OF 2	