

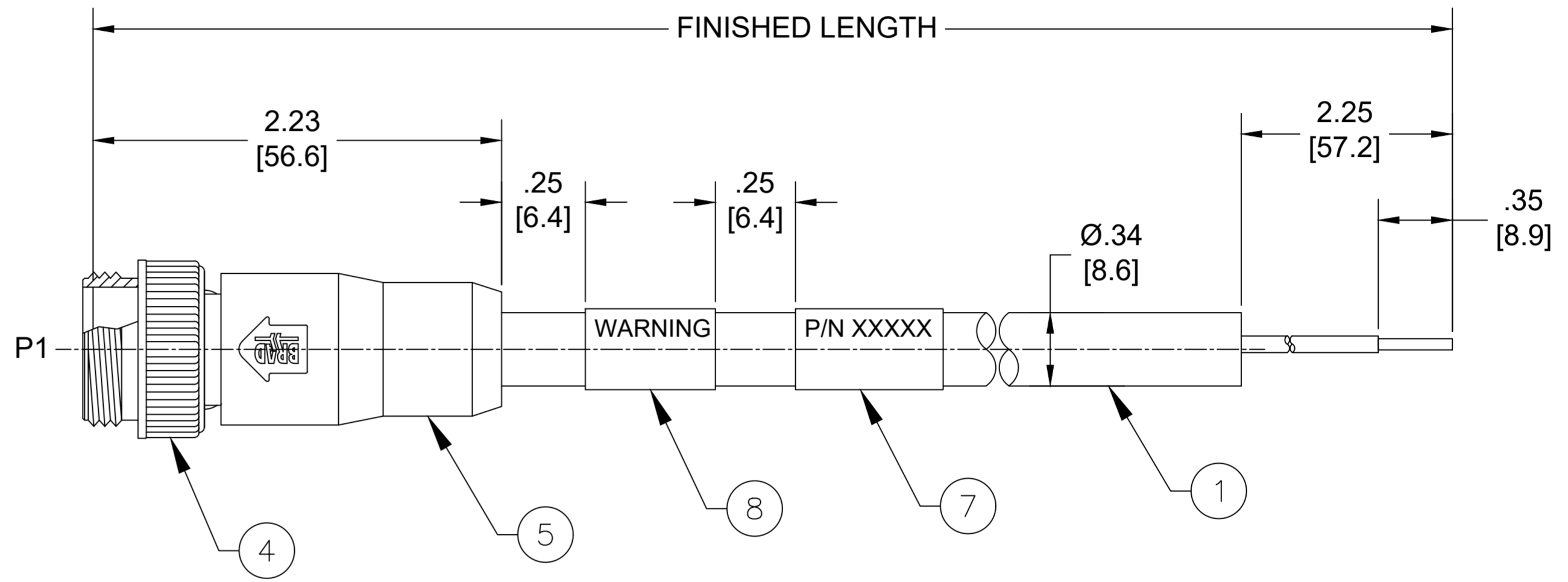
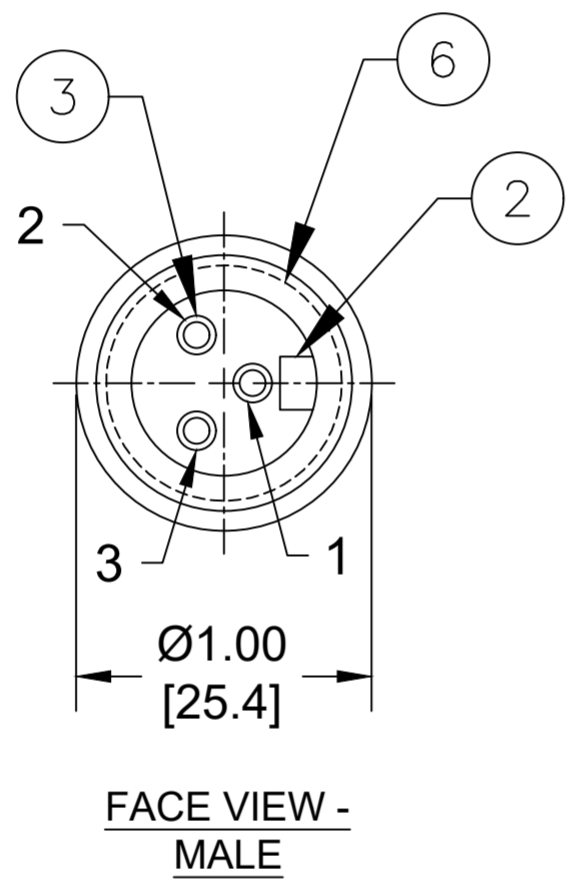
MATERIAL NUMBER	ENGINEERING NUMBER	FINISHED LENGTH
1300610282	103006K20M010E	1M [3FT 3 IN]
1300611104	103006K20M030G	3M [9FT 10 IN]
1300610290	103006K20M650E	65M [213FT 3 IN]

PART NUMBER LEGEND

103006K20M010E

OVERMOLD COLOR
 BLANK = GRAY
 E = RED
 G = BLACK

LENGTH
 M001 = .1 METER
 M010 = 1 METER
 M100 = 10 METER



- NOTES:
- MATERIAL: AS NOTED
 - FINISH: AS NOTED
 - ELECTRICAL:
 VOLTAGE: 500V PER IEC60664
 600V PER UL2237
 CURRENT: 15A
 - TEMP RATING: -20°TO +90°C
 - PROTECTION: IP67 (WHEN MATED)
 - COUPLING THREAD: 7/8"-16UN
 - UL LISTED FILE: E258922
 - ALL DIMENSIONS ARE FOR REFERENCE UNLESS TOLERANCED OR NOTED OTHERWISE

P1

1	GREEN-YELLOW
2	BLACK
3	WHITE

CABLE LENGTH TOLERANCES

<.3M [1FT]	+19mm-0 [+.75in-0]
.3 - .9M [1 - 3FT]	+44.5mm-0 [+1.75in-0]
.9 - 1.8M [3 - 6FT]	+55.6mm-0 [+2.19in-0]
1.8 - 3.7M [6 - 12FT]	+88.9mm-0 [+3.50in-0]
3.7 - 7.3M [12 - 24FT]	+165.1mm-0 [+6.50in-0]
7.3-14.6M [24 - 48FT]	+317.5mm-0 [+12.50in-0]
14.6 - 30.5M [48-100FT]	+622.3mm-0 [+24.50in-0]
OVER 30M [100FT]	+2% OF FINISHED LENGTH

ITEM	DESCRIPTION	MATERIAL	FINISH
8	WARNING LABEL	VINYL	BLACK/ORANGE
7	WRAP LABEL	VINYL	BLACK/YELLOW
6	FRICITION RING	NYLON	WHITE
5	OVERMOLD	TPE	SEE P/N MATRIX
4	COUPLING	ZINC DIE-CAST	BLACK
3	CONTACT PIN	COPPER ALLOY	GOLD OVER NICKEL
2	MALE INSERT	TPE	BLACK
1	CABLE, 14/3 TC-ER	TPE JACKET	BLACK

ⓓ WIRE DIAGRAM

FUNCTIONAL SYMBOLS FA=0 FC=0 FP=0	DIMENSION UNITS	SCALE	THIS DRAWING CONTAINS INFORMATION THAT IS PROPRIETARY TO MOLEX ELECTRONIC TECHNOLOGIES, LLC AND SHOULD NOT BE USED WITHOUT WRITTEN PERMISSION		
	INCH/MM	NTS	CURRENT REV DESC: ITEM# 2 & 5 WERE PVC. ADDED FRICTION RING & WIRE DIAGRAM. MODIFIED PN CHART		
	GENERAL TOLERANCES (UNLESS SPECIFIED)		EC NO: 698916		
	4 PLACES	±----	±----	DRWN: ABENJAMINLW	2021/06/17
3 PLACES	±----	±----	CHK'D: RSTONE	2022/03/09	
2 PLACES	±----	±----	APPR: BWOODMAN	2022/03/11	
1 PLACE	±----	±----	INITIAL REVISION:		
0 PLACES	±----	±----	DRWN: BARDEN	2014/11/26	
ANGULAR TOL ± ---- °		APPR: JFMURPHY		2014/12/08	
DRAFT WHERE APPLICABLE MUST REMAIN WITHIN DIMENSIONS		THIRD ANGLE PROJECTION	DRAWING	SERIES	MATERIAL NUMBER
			C-SIZE	130061	SEE CHART
		CUSTOMER		SHEET NUMBER	
		GENERAL MARKET		1 OF 1	

molex

BRAD POWER CORDSET, A-SIZE
 3 POLE, MALE, STRAIGHT, SINGLE KEY,
 #14AWG

PRODUCT CUSTOMER DRAWING

DOCUMENT NUMBER: SD-130061-028
 DOC TYPE/DOC PART: PSD 001
 REVISION: D