

PART NAME: KNOB

SCALE: 1:1

DATE: 9/23/05

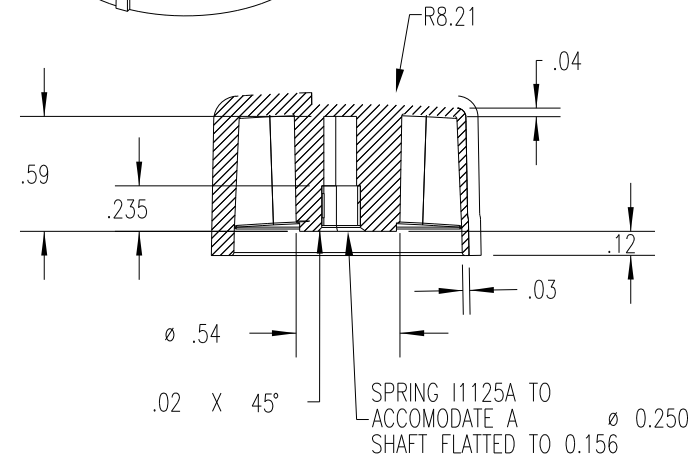
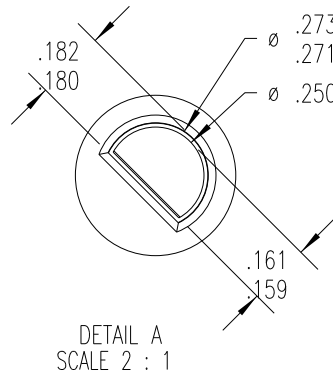
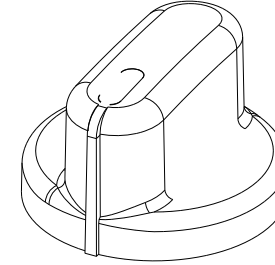
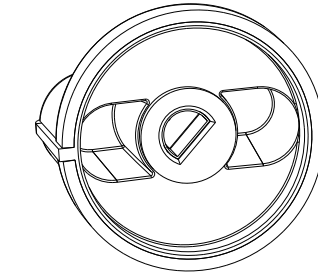
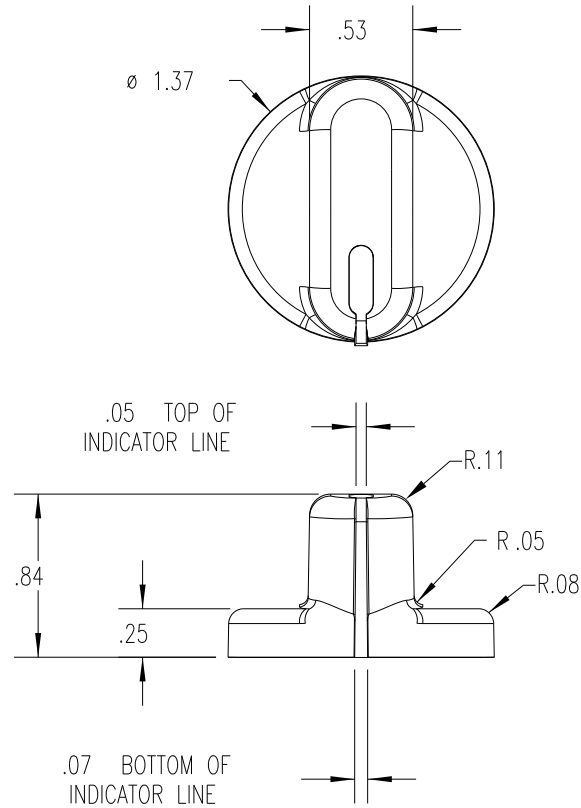
DR. BY JAM

DAVIES MOLDING COMPANY
CAROL STREAM, ILLINOIS 60188

P/N 1505-F

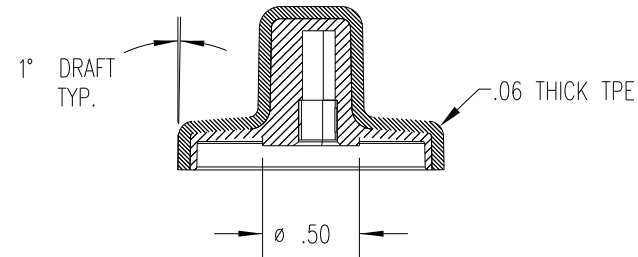
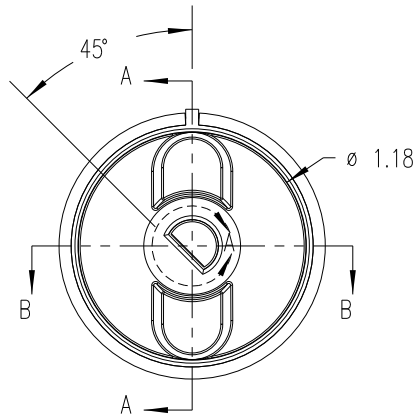
THIS DRAWING IS THE PROPERTY OF DAVIES MOLDING COMPANY, IS SUBMITTED SOLELY AS A DESIGN OR ENGINEERING PROJECT.
WE ACCEPT NO RESPONSIBILITY WHATSOEVER FOR THE PRACTICAL APPLICATION OF THE PIECES MADE TO THIS DESIGN.

MOLD #	1505/1506/2813
CAVITY	1505
CORE	1505
PIN	1505-F
SPRING	I1125A



SECTION A-A

.07 BOTTOM OF INDICATOR LINE



SECTION B-B

MATERIAL: POLYPROPYLENE (CLD)/TPE (TPE3)
COLOR: WHITE/BLACK

TOLERANCES: UNLESS OTHERWISE SPECIFIED	DO NOT SCALE DRAWING			
DECIMALS: X.XXX ± .005 X.XX ± .015	MM: X.XX ± 0.15MM X.X ± 0.4MM	A	MOLD # WAS 1505	JAM 12/14/09
FRACTIONS ± 1/64	ANG. ± 1°	CHANGES		