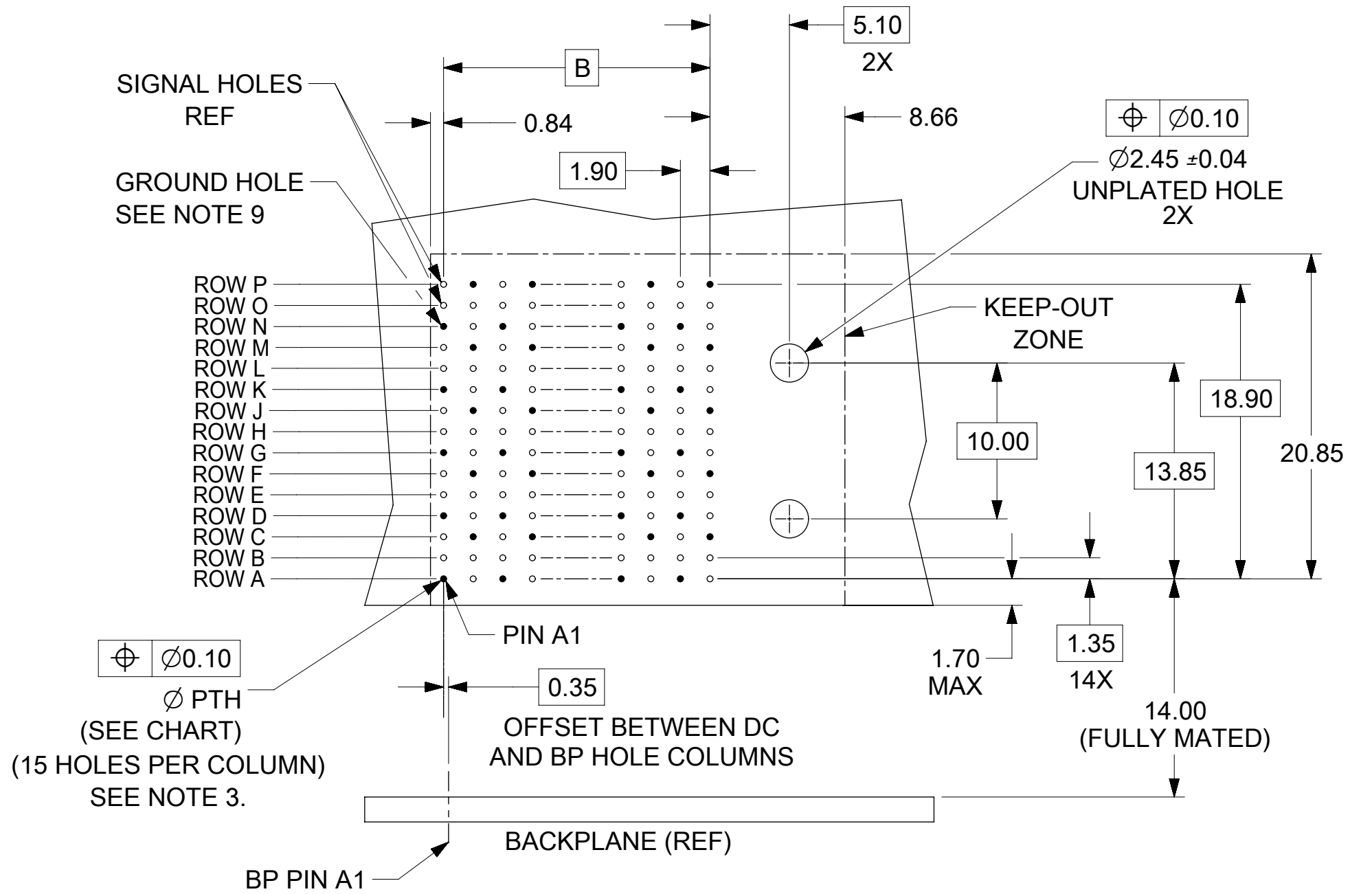
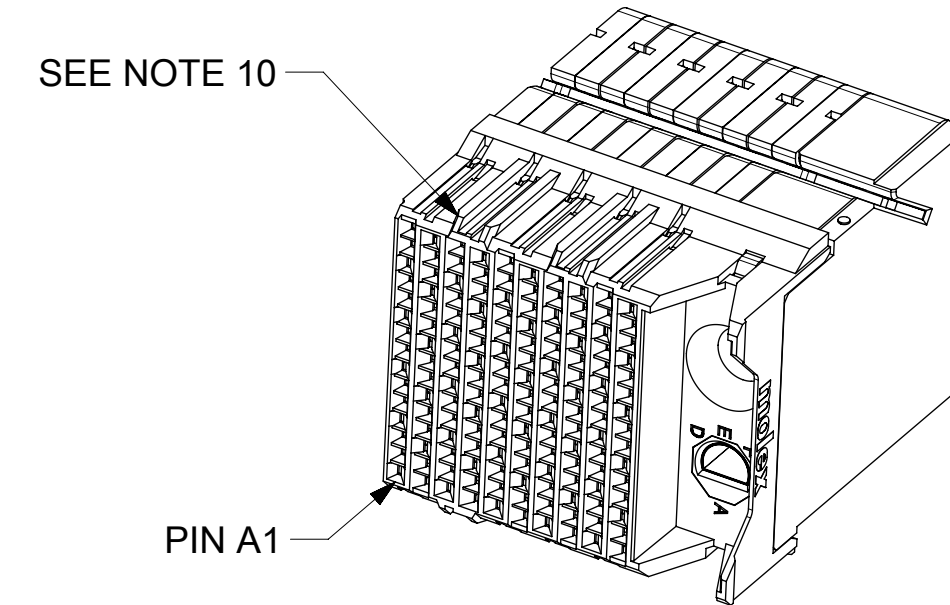
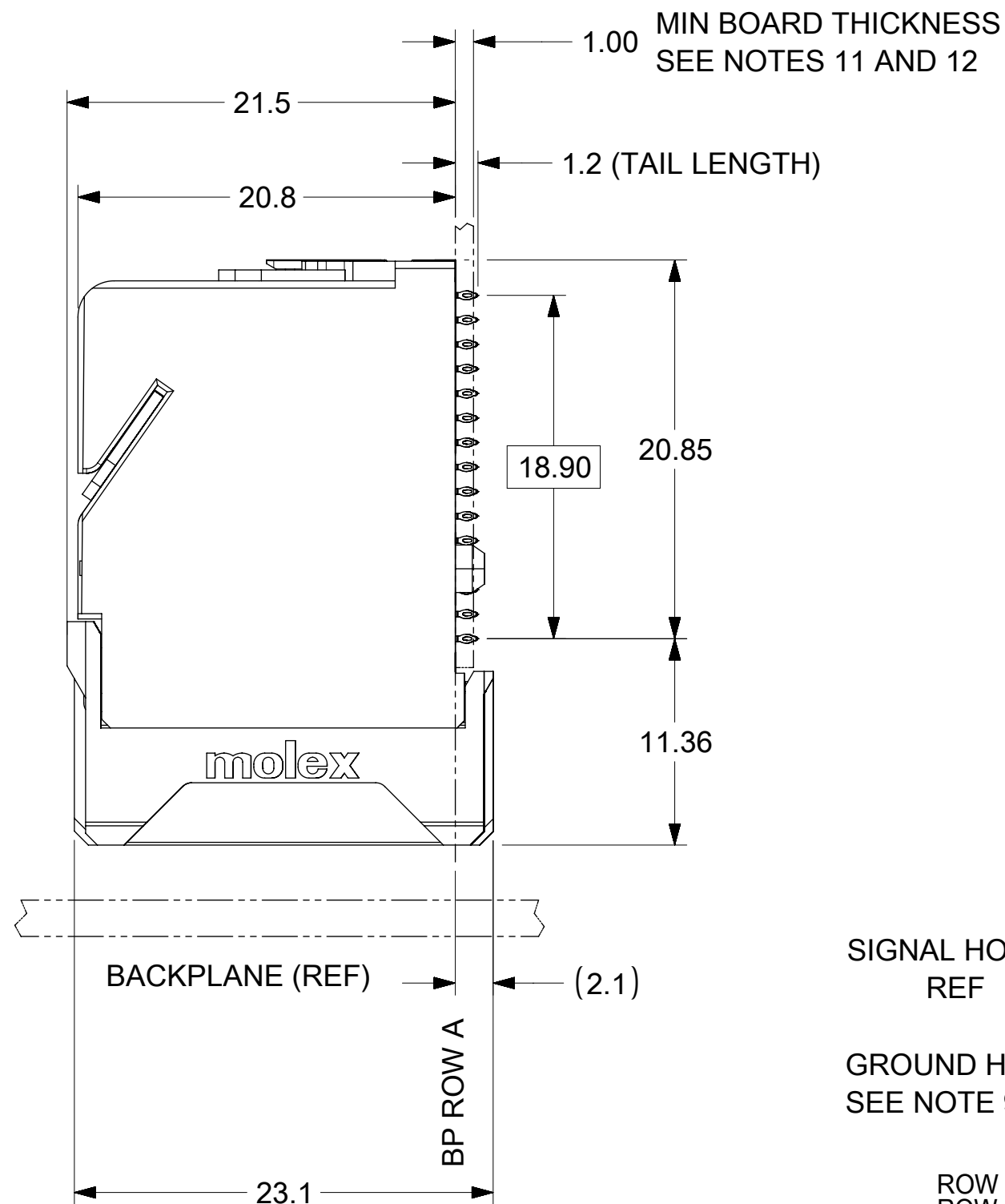


KEY SHOWN
IN POSITION "A"



**DAUGHTERCARD HOLE PATTERN
(CONNECTOR SIDE)**

NOTES:

1. MATERIALS: HOUSING - LIQUID CRYSTAL POLYMER (LCP), GLASS-FILLED, UL94V-0
TERMINALS - HIGH PERFORMANCE COPPER ALLOY
2. FINISH: 30µIN MIN SELECTIVE GOLD IN CONTACT AREA, SELECTIVE TIN
ON PCB TAILS. NICKEL OVERALL.
3. REFER TO MOLEX PRODUCT SPEC PS-170540-999 FOR PERFORMANCE SPECIFICATIONS
AND ADDITIONAL PCB INFORMATION.
4. EACH SIGNAL WAFER CONTAINS 2 COLUMNS OF TERMINALS.
5. PRODUCT IS PACKAGED PER PK-70873-611.
6. THIS PART CONFORMS TO CLASS B REQUIREMENTS OF COSMETIC SPEC PS-45499-002.
7. REFER TO MOLEX SALES DRAWING SD-170475-0003 OR RSD-170472-XXXX FOR THE
MATING HEADERS.
8. REFER TO MOLEX PCB MOUNTING GUIDE AS 76060-990 FOR ANTIPAD AND ROUTING
RECOMMENDATIONS.
9. GROUND PATHS ARE NOT DISCRETE CIRCUITS WITHIN CONNECOTR DUE TO PRESENCE
OF PLUS CLIP.
10. PART NUMBER 170480-5120 SHOWN ON DRAWING. KEYING FEATURES WILL CHANGE
WITH COLUMN SIZE
11. MINIMUM BOARD THICKNESS IS 1.0 mm FOR COMPLIANT PIN FUNCTIONALITY.
12. WHEN USING MOLEX SUPPLIED # 2-32 SCREW 73726-0000 (9.50 NOMINAL
THREADABLE SCREW LENGTH), THE MAXIMUM BOARD THICKNESS IS 4.4mm.

THIS DRAWING CONTAINS INFORMATION THAT IS PROPRIETARY TO MOLEX ELECTRONIC TECHNOLOGIES, LLC AND SHOULD NOT BE USED WITHOUT WRITTEN PERMISSION									
DIMENSION UNITS		SCALE		CURRENT REV DESC: MIGRATED TO NX					
mm		NTS		<p>IMPACT 5 PAIR PLUS 85OHM DAUGHTERCARD SIGNAL GUIDE RIGHT SALES DWG</p> <p>PRODUCT CUSTOMER DRAWING</p> <p>DOCUMENT NUMBER: SD-170480-0004 DOC TYPE: PSD DOC PART: 001 REVISION: B3</p> <p>MATERIAL NUMBER: SEE TABLE CUSTOMER: GENERAL MARKET SHEET NUMBER: 1 OF 2</p>					
GENERAL TOLERANCES (UNLESS SPECIFIED)									
ANGULAR TOL ± 0.5°									
4 PLACES ±									
3 PLACES ±									
2 PLACES ± 0.13									
1 PLACE ± 0.25									
0 PLACES ±									
DRAFT WHERE APPLICABLE MUST REMAIN WITHIN DIMENSIONS		THIRD ANGLE PROJECTION		DRAWING		SERIES		MATERIAL NUMBER	
				C-SIZE		170480		SEE TABLE	

MATERIAL NUMBER	# OF COLUMNS	# OF DIFF PAIR	DIM "A" MAX	DIM "B"	PTH ϕ
170480-5*08	8	40	22.80	13.30	0.46 ± 0.05
170480-5*10	10	50	26.60	17.10	
170480-5*12	12	60	30.40	20.90	
170480-5*16	16	80	38.00	28.50	
170480-5*38	8	40	22.80	13.30	0.39 ± 0.05
170480-5*20	10	50	26.60	17.10	
170480-5*22	12	60	30.40	20.90	
170480-5*26	16	80	38.00	28.50	

170480-5***

MODULE & TAIL PLATING TYPE
5 = RIGHT GUIDED, LEAD-FREE

OF COLUMNS
08 = 8 COL 0.46 PTH
10 = 10 COL 0.46 PTH
12 = 12 COL 0.46 PTH
16 = 16 COL 0.46 PTH

POLARIZATION KEY ORIENTATION

0 = NO KEY
1 = A 5 = E
2 = B 6 = F
3 = C 7 = G
4 = D 8 = H

38 = 8 COL 0.39 PTH
20 = 10 COL 0.39 PTH
22 = 12 COL 0.39 PTH
26 = 16 COL 0.39 PTH

THIS DRAWING CONTAINS INFORMATION THAT IS PROPRIETARY TO MOLEX ELECTRONIC TECHNOLOGIES, LLC AND SHOULD NOT BE USED WITHOUT WRITTEN PERMISSION

DIMENSION UNITS		SCALE		CURRENT REV DESC: MIGRATED TO NX				molex					
mm		NTS											
GENERAL TOLERANCES (UNLESS SPECIFIED)				EC NO: 612222				IMPACT 5 PAIR PLUS 85OHM DAUGHTERCARD SIGNAL GUIDE RIGHT SALES DWG					
ANGULAR TOL $\pm 0.5^\circ$				DRWN: BREVANSIDDAB 2018/11/16									
4 PLACES \pm				CHK'D: TMARRI 2019/02/19				PRODUCT CUSTOMER DRAWING					
3 PLACES \pm				APPR: BOKOK 2019/02/20									
2 PLACES ± 0.13				INITIAL REVISION:				DOCUMENT NUMBER SD-170480-0004					
1 PLACE ± 0.25				DRWN: JLAURX 2010/09/28									
0 PLACES \pm				APPR: JLAURX 2010/10/19				DOC TYPE PSD		DOC PART 001		REVISION B3	
DRAFT WHERE APPLICABLE MUST REMAIN WITHIN DIMENSIONS		THIRD ANGLE PROJECTION		DRAWING		SERIES		MATERIAL NUMBER		CUSTOMER		SHEET NUMBER	
				C-SIZE		170480		SEE TABLE		GENERAL MARKET		2 OF 2	

DOCUMENT STATUS	P1	RELEASE DATE	2019/02/20	10:38:12
-----------------	----	--------------	------------	----------