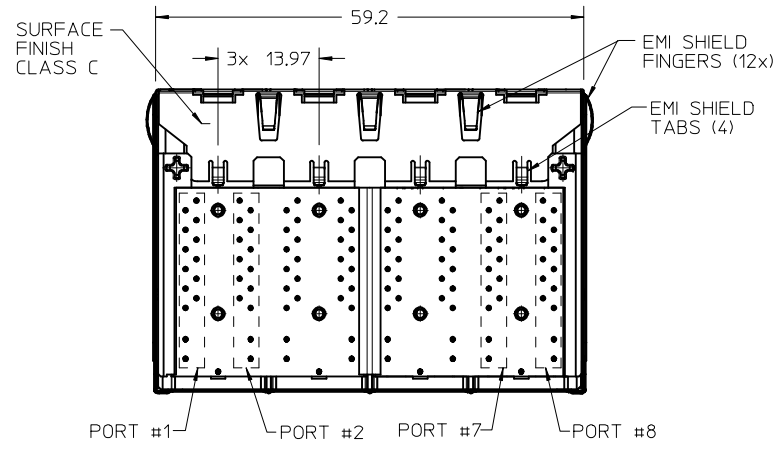
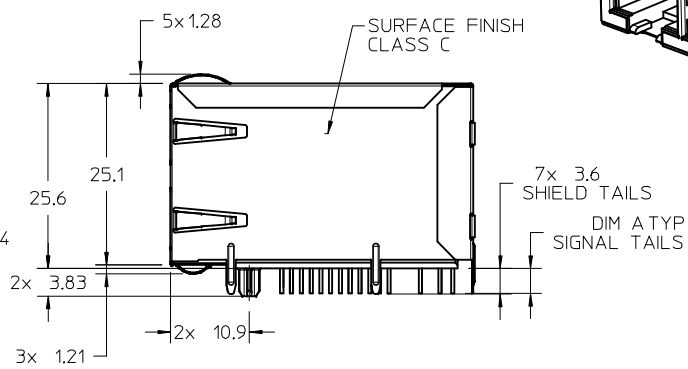
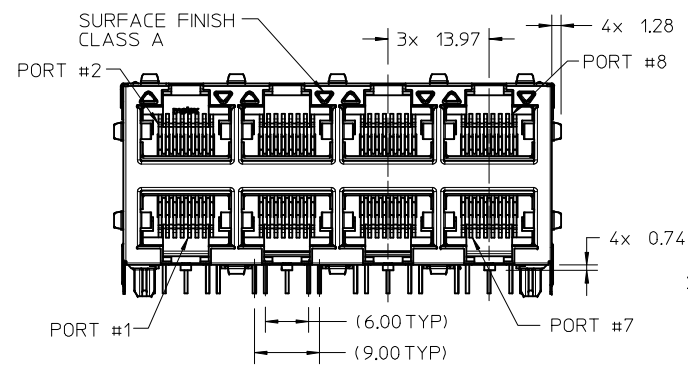
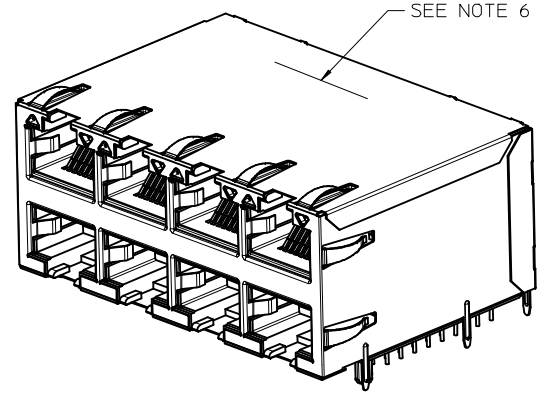
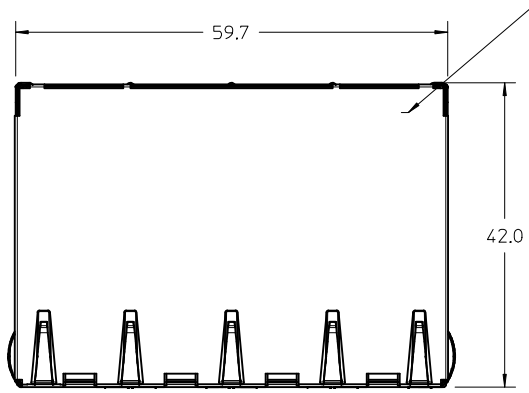


13 12 11 10 9 8 7 6 5 4 3 2 1

ASSEMBLY PART NUMBER	DIM A	
172812-1000	3.43	POE+
172812-1500	3.56	
172812-1600	2.60	
173308-1600	2.60	4P POE
173308-1500	3.56	
173308-1000	3.43	

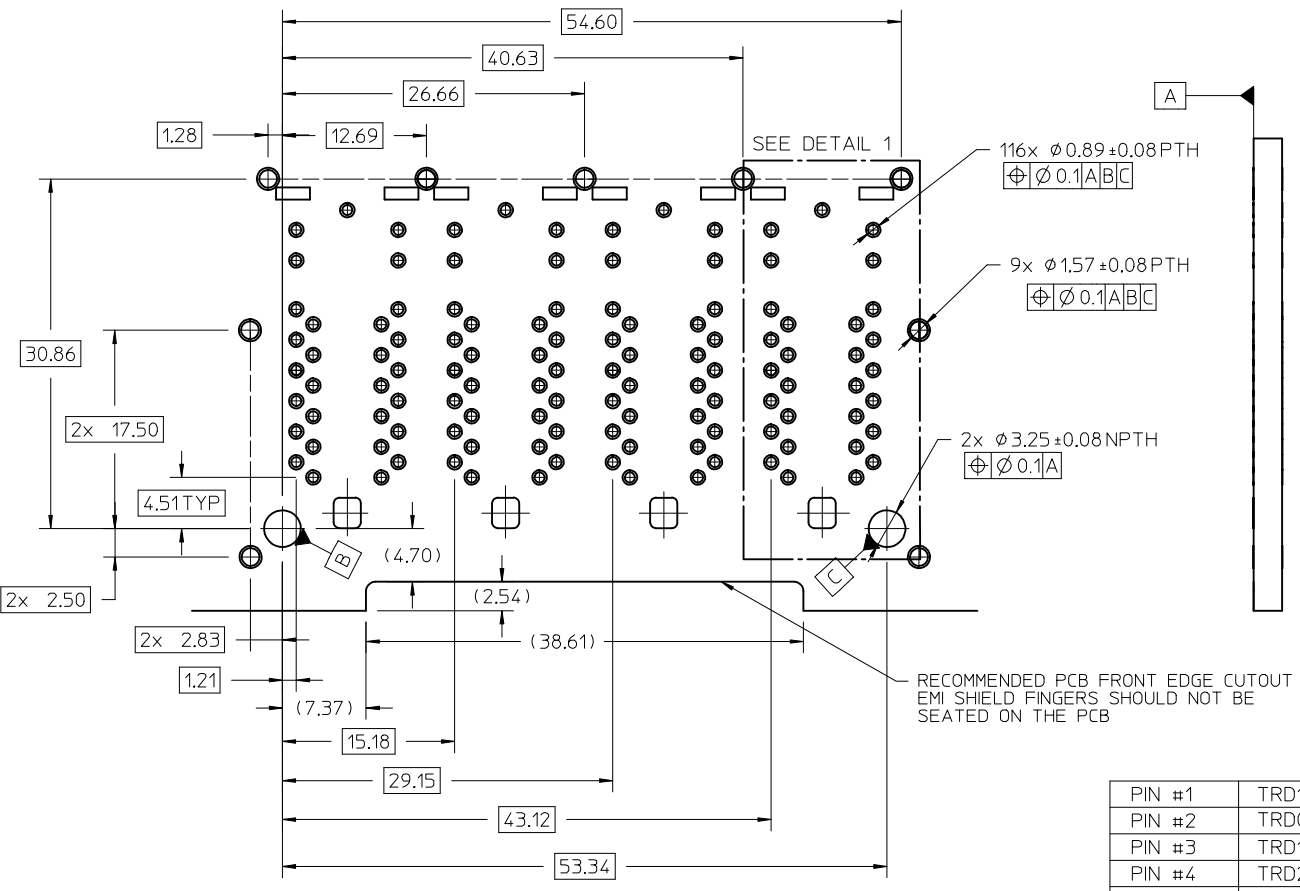
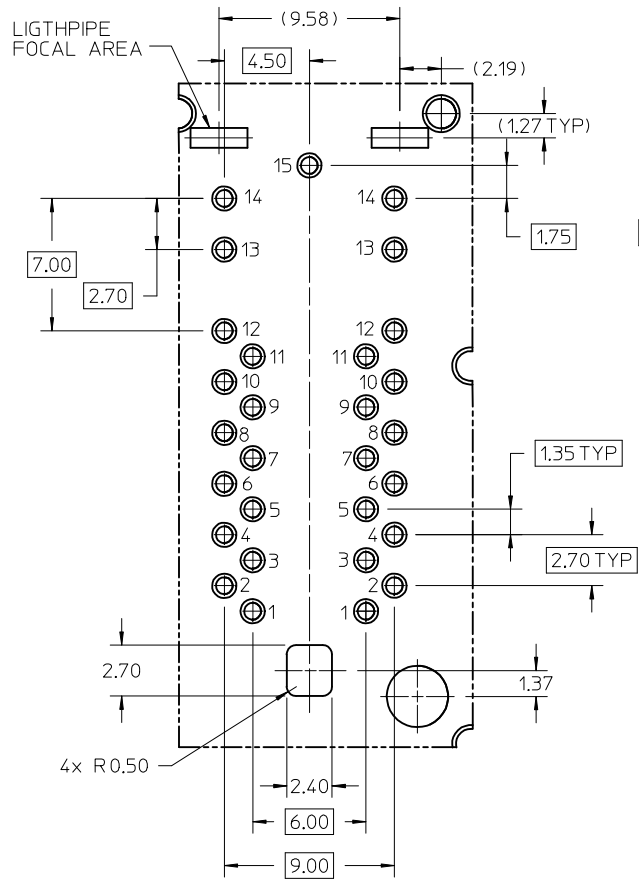
POE+ SHOWN



- NOTES:
1. MATERIAL:  
HOUSING: POLYESTER, GLASS FILLED, UL94V-0, COLOR: BLACK. REGRIND PER UL YELLOW CARD.  
CONTACT BEAMS: COPPER ALLOY.  
SHIELD: COPPER ALLOY.  
PCB PINS: COPPER ALLOY.
  2. PLATING:  
CONTACT BEAMS: 1.27 μm MIN. GOLD IN CONTACT AREA OVER 3.81 μm MIN NICKEL UNDERPLATE  
SHIELD: NICKEL WITH SELECT TIN DIP ON TAILS.
  3. PRODUCT SPECIFICATION: PS-172812-1000, APPLICATION SPECIFICATION AS-172812-1000, FOR PCB ROUTING GUIDELINES REFER TO AS-172812-1001.
  4. PRODUCT IS TRAY PACKAGED PER PACKAGING SPECIFICATION PK-46030-001.
  5. CONFORMS TO FCC REGULATION PART 68.5 SPECIFICATION FOR MODULAR JACKS.
  6. MOLEX PART NUMBER, SERIAL NUMBER AND TRACEABILITY MARK ARE LOCATED IN AREA SHOWN
  7. SHIELD SURFACE FINISHES (CLASS A AND C) COMPLY WITH THE REQUIREMENTS FOR VISUAL ACCEPTANCE PER MOLEX COSMETIC SPECIFICATION ES-46030-006.

ADDED P/N EC NO: UCP2016-0621 DRWN: LKATARZIENE 2015/10/09 CHKD: APPR: KLANG 2015/10/20 REV	QUALITY SYMBOLS	GENERAL TOLERANCES (UNLESS SPECIFIED)	DIMENSION STYLE <b>MM ONLY</b>	SCALE <b>2:1</b>	DESIGN UNITS <b>METRIC</b>	THIRD ANGLE PROJECTION
	▽=0	4 PLACES ±--- ±---	m/m INCH	DRAWN BY DATE LKATARZIENE 2014/09/22	TITLE <b>2.5GBE 2X4 ICM W/ LIGHTPIPES</b>	
	▽=0	3 PLACES ±--- ±---		CHECKED BY DATE		
	▽=0	2 PLACES ±0.13 ±---		APPROVED BY DATE APANELLA 2015/08/26		
		1 PLACE ±0.25 ±---				
		0 PLACE ±--- ±---				
		ANGULAR ±1/2°	MATERIAL NO.	DOCUMENT NO.		
		DRAFT WHERE APPLICABLE MUST REMAIN WITHIN DIMENSIONS	<b>SEE CHART</b>		<b>SD-172812-1000</b>	SHEET NO. 1 OF 6
			SIZE <b>C</b>	THIS DRAWING CONTAINS INFORMATION THAT IS PROPRIETARY TO MOLEX INCORPORATED AND SHOULD NOT BE USED WITHOUT WRITTEN PERMISSION		

12 11 10 9 8 7 6 5 4 3 2 1



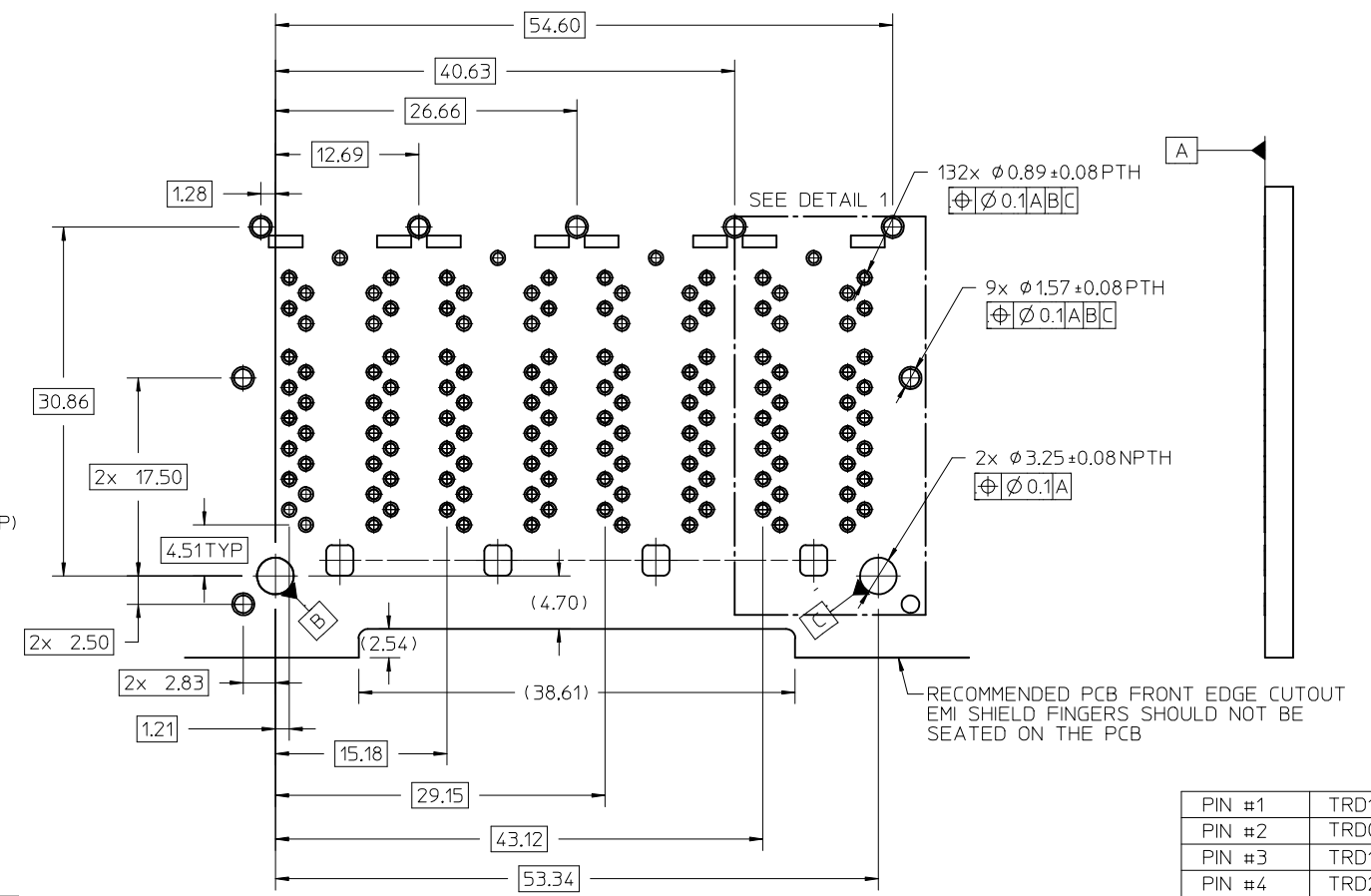
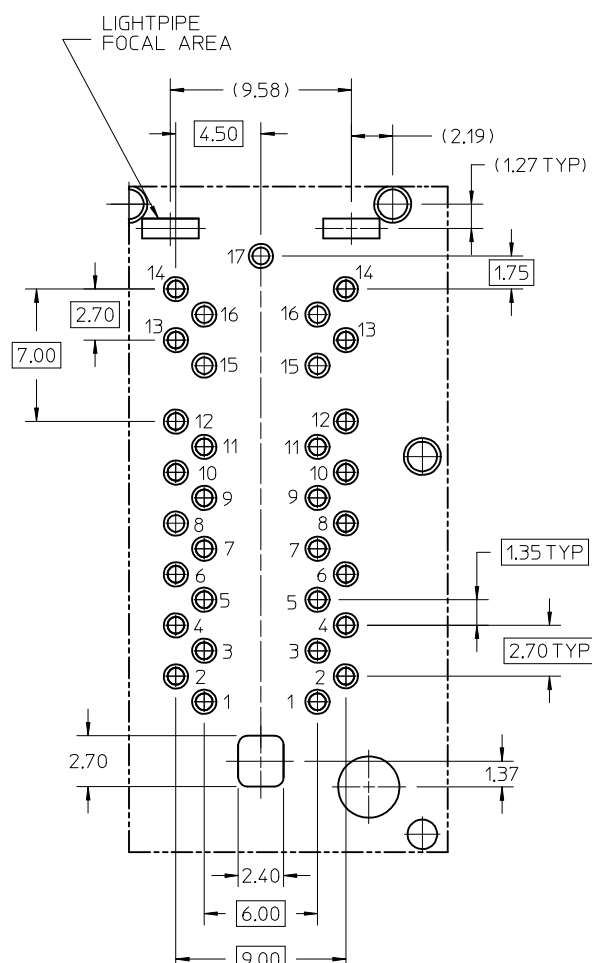
2X4 POE+ SUGGESTED PCB LAYOUT  
COMPONENT SIDE

NOTE:  
FOR PCB ROUTING GUIDELINES REFER TO AS-172812-1001.

PIN #1	TRD1+
PIN #2	TRDCT1
PIN #3	TRD1-
PIN #4	TRD2+
PIN #5	TRDCT2
PIN #6	TRD2-
PIN #7	TRD3+
PIN #8	TRDCT3
PIN #9	TRD3-
PIN #10	TRD4+
PIN #11	TRDCT4
PIN #12	TRD4-
PIN #13	VC36
PIN #14	VC12
PIN #15	TRP REF

DETAIL 1  
SCALE 5:1

<b>SEE SHEET 1</b> EC NO: UCP2016-0621 DRWN:KATARZIENE 2015/10/09 CHKD: APPR:KLANG 2015/10/20	QUALITY SYMBOLS	GENERAL TOLERANCES (UNLESS SPECIFIED)	DIMENSION STYLE <b>MM ONLY</b>	SCALE <b>3:1</b>	DESIGN UNITS <b>METRIC</b>	THIRD ANGLE PROJECTION
	▽=0	mm INCH	DRAWN BY DATE LKATARZIENE 2014/09/22	TITLE <b>2.5GBE 2X4 ICM W/ LIGHTPIPES</b>		
	▽=0	4 PLACES ± --- ± ---	CHECKED BY DATE	DOCUMENT NO. <b>SD-172812-1000</b>		
	▽=0	3 PLACES ± --- ± ---	APPROVED BY DATE APANELLA 2015/08/26	SHEET NO. <b>2 OF 6</b>		
	2 PLACES ±0.13 ± ---	ANGULAR ±1/2°	MATERIAL NO. <b>1728121000</b>	THIS DRAWING CONTAINS INFORMATION THAT IS PROPRIETARY TO MOLEX INCORPORATED AND SHOULD NOT BE USED WITHOUT WRITTEN PERMISSION		
	1 PLACE ±0.25 ± ---	DRAFT WHERE APPLICABLE MUST REMAIN WITHIN DIMENSIONS	SIZE <b>C</b>			
	0 PLACE ± --- ± ---					



2X4 4P POE SUGGESTED PCB LAYOUT  
COMPONENT SIDE

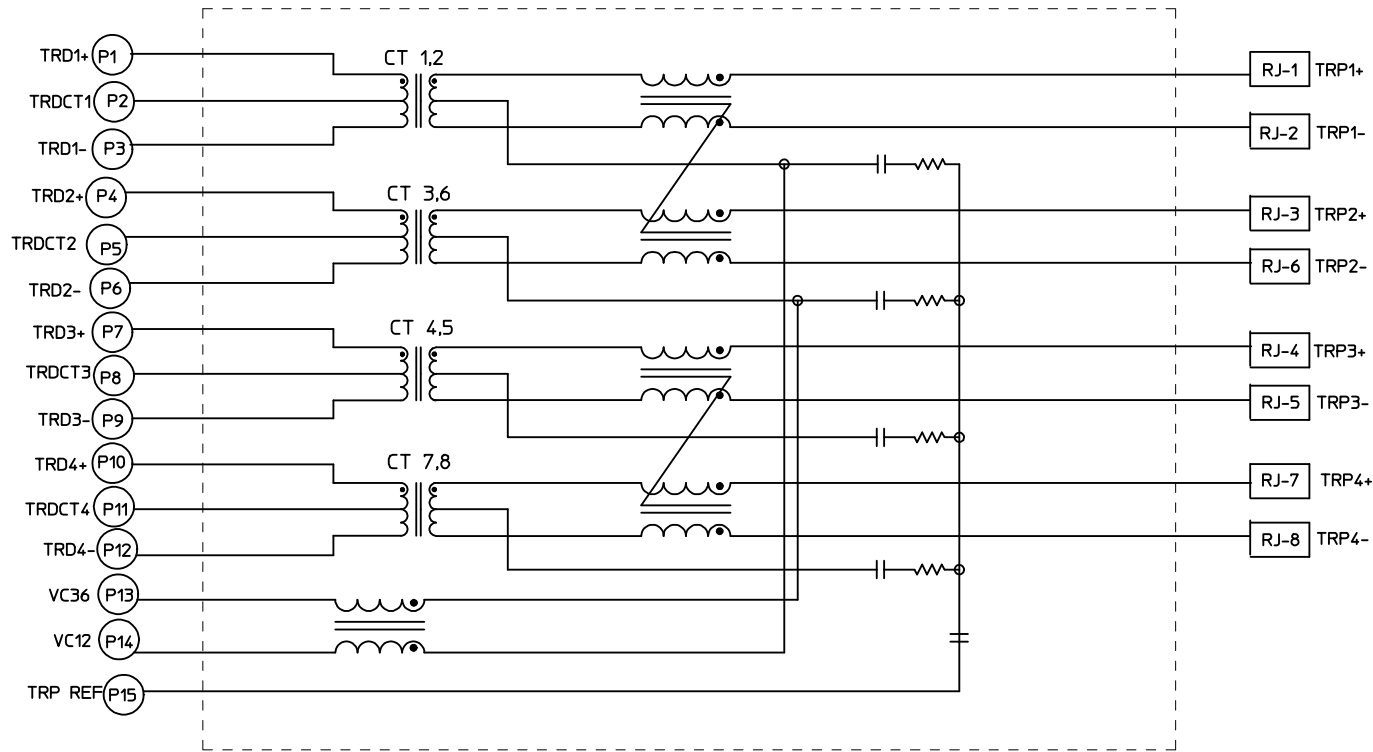
PIN #1	TRD1+
PIN #2	TRDCT1
PIN #3	TRD1-
PIN #4	TRD2+
PIN #5	TRDCT2
PIN #6	TRD2-
PIN #7	TRD3+
PIN #8	TRDCT3
PIN #9	TRD3-
PIN #10	TRD4+
PIN #11	TRDCT4
PIN #12	TRD4-
PIN #13	VC36
PIN #14	VC12
PIN #15	VC78
PIN #16	VC45
PIN #17	TRP REF

<b>SEE SHEET 1</b> EC NO: UCP2016-0621 DRWNL:KATARZIENE 2015/10/09 CHKD: APPR:KLANG 2015/10/20 REV: B	QUALITY SYMBOLS ▽=0 ▽=0 ▽=0	GENERAL TOLERANCES (UNLESS SPECIFIED) <table border="1"> <tr><th></th><th>mm</th><th>INCH</th></tr> <tr><td>4 PLACES</td><td>± ---</td><td>± ---</td></tr> <tr><td>3 PLACES</td><td>± ---</td><td>± ---</td></tr> <tr><td>2 PLACES</td><td>± 0.13</td><td>± ---</td></tr> <tr><td>1 PLACE</td><td>± 0.25</td><td>± ---</td></tr> <tr><td>0 PLACE</td><td>± ---</td><td>± ---</td></tr> </table>		mm	INCH	4 PLACES	± ---	± ---	3 PLACES	± ---	± ---	2 PLACES	± 0.13	± ---	1 PLACE	± 0.25	± ---	0 PLACE	± ---	± ---	DIMENSION STYLE <b>MM ONLY</b> DRAWN BY DATE LKATARZIENE 2014/09/22 CHECKED BY DATE APPROVED BY DATE APANELLA 2015/08/26 MATERIAL NO.	SCALE <b>2:1</b> DESIGN UNITS <b>METRIC</b> THIRD ANGLE PROJECTION	TITLE <b>2.5GBE 2X4 ICM W/ LIGHTPIPES</b> <b>molex</b> DOCUMENT NO. <b>SD-172812-1000</b> SHEET NO. <b>3 OF 6</b>
		mm	INCH																				
	4 PLACES	± ---	± ---																				
	3 PLACES	± ---	± ---																				
2 PLACES	± 0.13	± ---																					
1 PLACE	± 0.25	± ---																					
0 PLACE	± ---	± ---																					
DRAFT WHERE APPLICABLE MUST REMAIN WITHIN DIMENSIONS		SEE SHEET 1	THIS DRAWING CONTAINS INFORMATION THAT IS PROPRIETARY TO MOLEX INCORPORATED AND SHOULD NOT BE USED WITHOUT WRITTEN PERMISSION																				

# 2.5GBE POE+ CIRCUIT

PCB PIN SIDE

RJ45 JACK SIDE



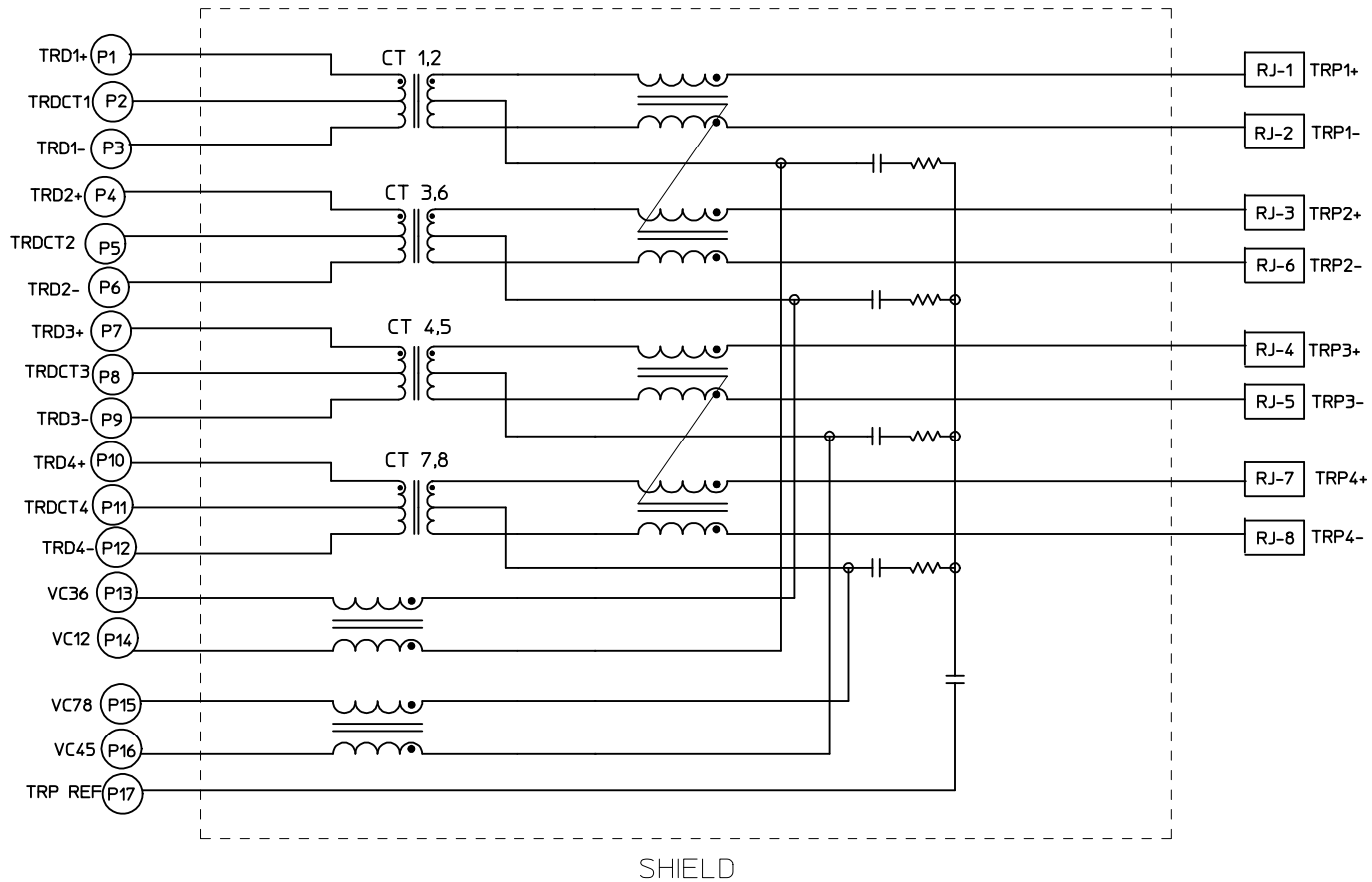
SHIELD

SEE SHEET 1 EC NO: UCP2016-0621 DRWN: LKATARZIENE 2015/10/09 CHKD: APPR: KLANG 2015/10/20	QUALITY SYMBOLS	GENERAL TOLERANCES (UNLESS SPECIFIED)		DIMENSION STYLE	SCALE	DESIGN UNITS	THIRD ANGLE PROJECTION
	▽=0	mm	INCH	MM ONLY	2:1	METRIC	
	▽=0	4 PLACES ± ---	± ---	DRAWN BY DATE	TITLE		
	▽=0	3 PLACES ± ---	± ---	LKATARZIENE 2014/09/22	2.5GBE 2X4 ICM W/ LIGHTPIPES		
		2 PLACES ± 0.13	± ---	CHECKED BY DATE	molex DOCUMENT NO. SD-172812-1000 SHEET NO. 4 OF 6		
		1 PLACE ± 0.25	± ---	APPROVED BY DATE			
		0 PLACE ± ---	± ---	APANELLA 2015/08/26			
		ANGULAR ±1/2°		MATERIAL NO.			
		DRAFT WHERE APPLICABLE MUST REMAIN WITHIN DIMENSIONS		SEE SHEET 1			
				SIZE	THIS DRAWING CONTAINS INFORMATION THAT IS PROPRIETARY TO MOLEX INCORPORATED AND SHOULD NOT BE USED WITHOUT WRITTEN PERMISSION		

# 2.5G 4P POE CIRCUIT

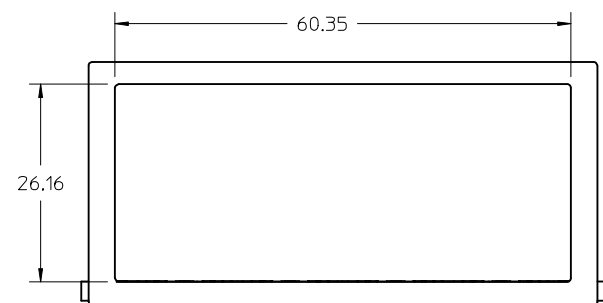
PCB PIN SIDE

RJ45 JACK SIDE

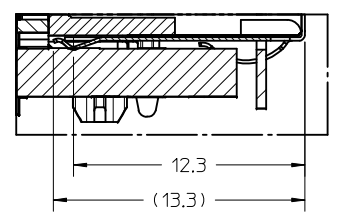
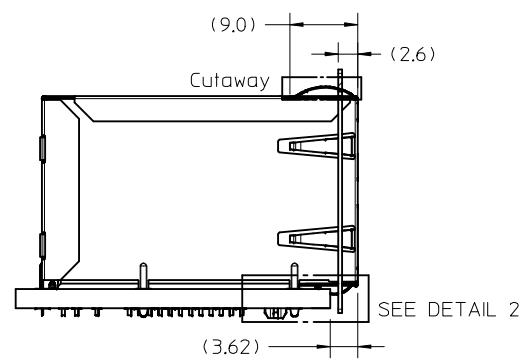


SEE SHEET 1 EC NO: UCP2016-0621 DRAWN: KATARZIENE 2015/10/09 CHKD: APPR: KLANG 2015/10/20	QUALITY SYMBOLS	GENERAL TOLERANCES (UNLESS SPECIFIED)		DIMENSION STYLE	SCALE	DESIGN UNITS	THIRD ANGLE PROJECTION	
	▽=0	mm	INCH	MM ONLY	2:1	METRIC		
	▽=0	4 PLACES ± ---	± ---	DRAWN BY	DATE	TITLE		
	▽=0	3 PLACES ± ---	± ---	LKATARZIENE	2014/09/22	2.5GBE 2X4 ICM W/ LIGHTPIPES		
		2 PLACES ± 0.13	± ---	CHECKED BY	DATE			
		1 PLACE ± 0.25	± ---	APPROVED BY	DATE			
		0 PLACE ± ---	± ---	APANELLA	2015/08/26			
		ANGULAR ±1/2°		MATERIAL NO.	DOCUMENT NO.			
		DRAFT WHERE APPLICABLE MUST REMAIN WITHIN DIMENSIONS		SEE SHEET 1	SD-172812-1000	SHEET NO. 5 OF 6		
		THIS DRAWING CONTAINS INFORMATION THAT IS PROPRIETARY TO MOLEX INCORPORATED AND SHOULD NOT BE USED WITHOUT WRITTEN PERMISSION						

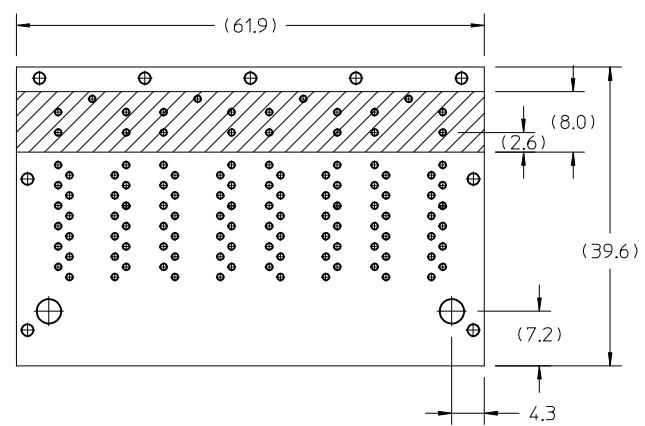
ELECTRICAL CHARACTERISTIC POE+		VALUE AT 25°C	
J	INSERTION LOSS	1 - 170 MHz	-0.00353 (F - 0MHz) - 0.4 dB Min
		170 - 250 MHz	-0.0125 (F - 170MHz) - 1 dB Min
		250 - 400 MHz	-0.0267 (F - 250MHz) - 2 dB Min
I	RETURN LOSS	1 - 20 MHz	-25 dB Max
		20 - 140 MHz	12 Log <sub>10</sub> (F/20MHz) - 25 dB Max
		140 - 250 MHz	40 Log <sub>10</sub> (F/140MHz) - 15 dB Max
H	COMMON MODE REJECTION	200 - 400 MHz	22 Log <sub>10</sub> (F/250MHz) - 5 dB Max
		1 - 30 MHz	-30 dB Max
G	MODE CONVERSION-DIFFERENTIAL CHIP TO COMMON LINE	100kHz / 0.1V / 8mA DC	450μH MIN
		100kHz / 0.1V / 24mA DC	200μH MIN
		1 - 100 MHz	-30 dB Max
F	MODE CONVERSION-DIFFERENTIAL CHIP TO COMMON CHIP	100 - 200 MHz	35 Log <sub>10</sub> (F/100MHz) - 30 dB Max
		200 - 400 MHz	8 Log <sub>10</sub> (F/200MHz) - 19.6 dB Max
		1 - 30 MHz	-25 dB Max
E	IMPEDANCE BALANCE	30 - 200 MHz	12 Log <sub>10</sub> (F/30MHz) - 25 dB Max
		200 - 400 MHz	-15 dB Max
D		1 - 30 MHz	-35 dB Max
		30 - 400 MHz	15 Log <sub>10</sub> (F/30MHz) - 35 dB Max



RECOMMENDED PANEL OPENING



Cutaway2  
DETAIL 2  
SCALE 5:1



RECOMMENDED KEEP OUT AREA  
AREA IS RECOMMENDED TO BE CLEAR OF ANY VIA HOLE OR COMPONENT PAD

<b>SEE SHEET 1</b> EC NO: UCP2016-0621 DRWNLKATARZIENE 2015/10/09 CHKD: CHPPR:KLANG APPR:KLANG 2015/10/20	QUALITY SYMBOLS	GENERAL TOLERANCES (UNLESS SPECIFIED)	DIMENSION STYLE <b>MM ONLY</b>	SCALE <b>2:1</b>	DESIGN UNITS <b>METRIC</b>	THIRD ANGLE PROJECTION
	▽=0	mm INCH	DRAWN BY DATE LKATARZIENE 2014/09/22	TITLE <b>2.5GBE 2X4 ICM W/ LIGHTPIPES</b>		
	▽=0	4 PLACES ± --- ± ---	CHECKED BY DATE	molex		
	▽=0	3 PLACES ± --- ± ---	APPROVED BY DATE APANELLA 2015/08/26	MATERIAL NO.	DOCUMENT NO.	SHEET NO.
	▽=0	2 PLACES ±0.13 ± ---	<b>SEE SHEET 1</b> SD-172812-1000 6 OF 6			
	1 PLACE ±0.25 ± ---	DRAFT WHERE APPLICABLE MUST REMAIN WITHIN DIMENSIONS THIS DRAWING CONTAINS INFORMATION THAT IS PROPRIETARY TO MOLEX INCORPORATED AND SHOULD NOT BE USED WITHOUT WRITTEN PERMISSION				
	0 PLACE ± --- ± ---					