

THIS DRAWING IS UNPUBLISHED.

RELEASED FOR PUBLICATION

20

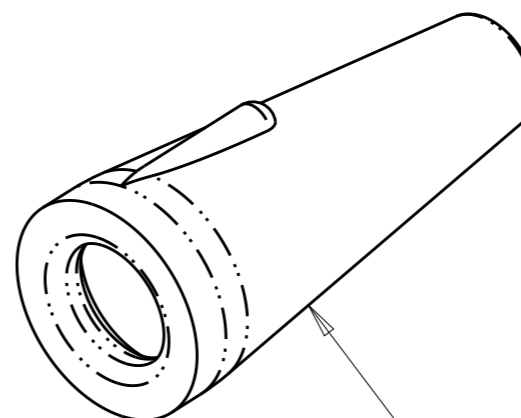
© COPYRIGHT 20 BY -

ALL RIGHTS RESERVED.

REVISIONS

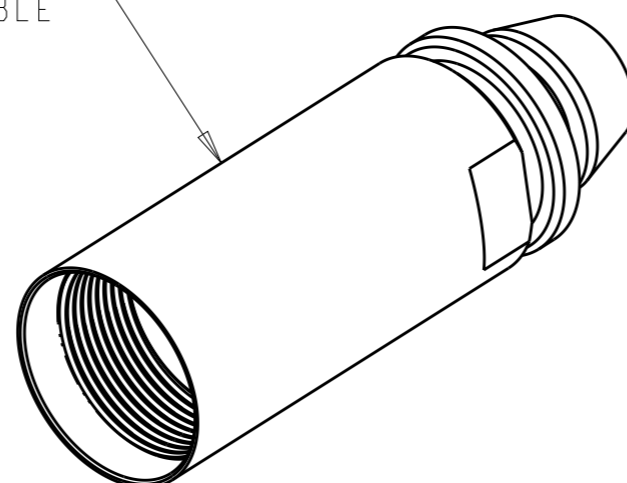
P	LTR	DESCRIPTION	DATE	DWN	APVD
	C	ECR-15-008603	23JUN2015	KG	DW

I. PACKAGED LOOSE PIECE.



BOOT
MAT'L: SEE TABLE

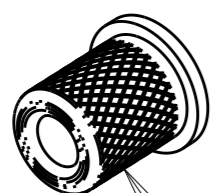
EXTENSION
MAT'L: SEE TABLE



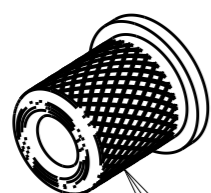
WASHER
MAT'L: STAINLESS STEEL



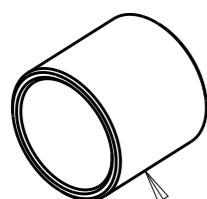
SEAL
MAT'L: FLUROSILICONE RUBBER



CRIMP SUPPORT
MAT'L: NICKEL-SILVER ALLOY



CRIMP SLEEVE
MAT'L: NICKEL-SILVER ALLOY



FLUROSILICONE RUBBER	NICKEL ALUMINUM BRONZE	6.7mm	1-1828700-6
		6.2mm	1-1828700-5
		5.6mm	1-1828700-4
FLUROSILICONE RUBBER	ALUMINUM ALLOY	5.1mm	1-1828700-3
		6.7mm	1-1828700-2
		6.2mm	1-1828700-1
EPDM RUBBER	NICKEL ALUMINUM BRONZE	5.6mm	1-1828700-0
		5.1mm	1828700-9
		6.7mm	1828700-8
EPDM RUBBER	ALUMINUM ALLOY	6.2mm	1828700-7
		5.6mm	1828700-6
		5.1mm	1828700-5
BOOT MATERIAL	EXTENSION MATERIAL	6.7mm	1828700-4
		6.2mm	1828700-3
		5.6mm	1828700-2
		5.1mm	1828700-1
		MAXIMUM CABLE SIZE	PART NUMBER

THIS DRAWING IS A CONTROLLED DOCUMENT.

DWN K. GLATFELTER 17JUN2005

CHK D. WERTMAN 24JUN2005

APVD D. WERTMAN 24JUN2005

PRODUCT SPEC

APPLICATION SPEC

WEIGHT

Customer Drawing



TE Connectivity

NAME
CABLE ADAPTER KIT, PLUG
PRO BEAM MINI

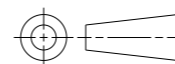
SIZE CAGE CODE DRAWING NO RESTRICTED TO

A300779 C-1828700

SCALE 2:1 SHEET 1 OF 1 REV C

DIMENSIONS:

mm



TOLERANCES UNLESS OTHERWISE SPECIFIED:

0 PLC	±.0
1 PLC	±.0
2 PLC	±.0
3 PLC	±.0
4 PLC	±.0
ANGLES	±.0

MATERIAL AS LISTED

FINISH
HARD ANODIZE
(AL ONLY)