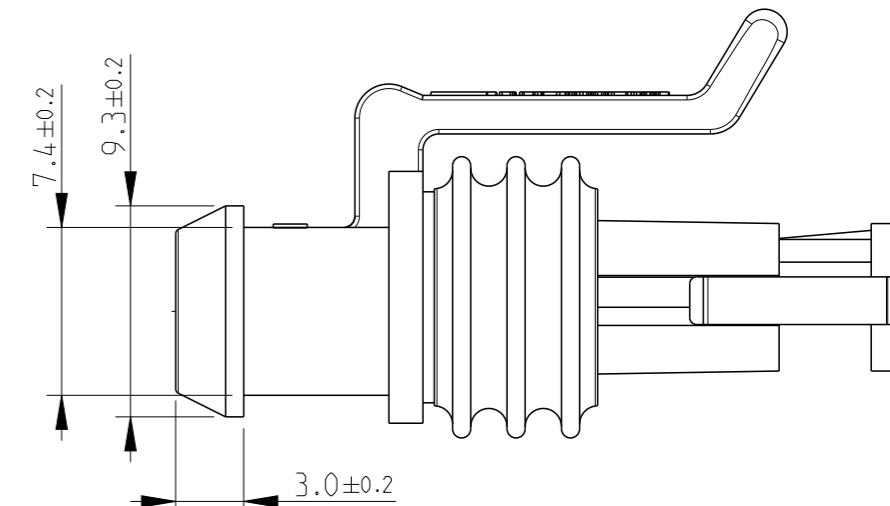
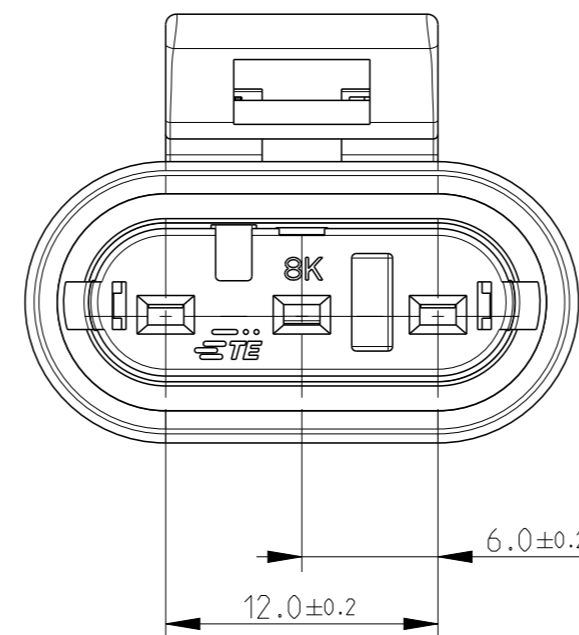
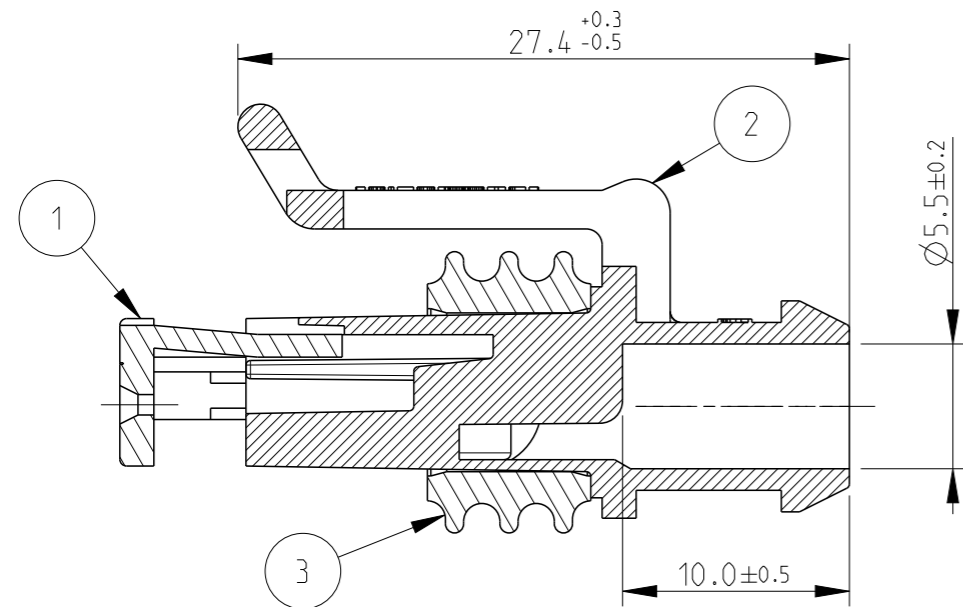


THIS DRAWING IS UNPUBLISHED. RELEASED FOR PUBLICATION 20  
© COPYRIGHT 20 BY - ALL RIGHTS RESERVED.

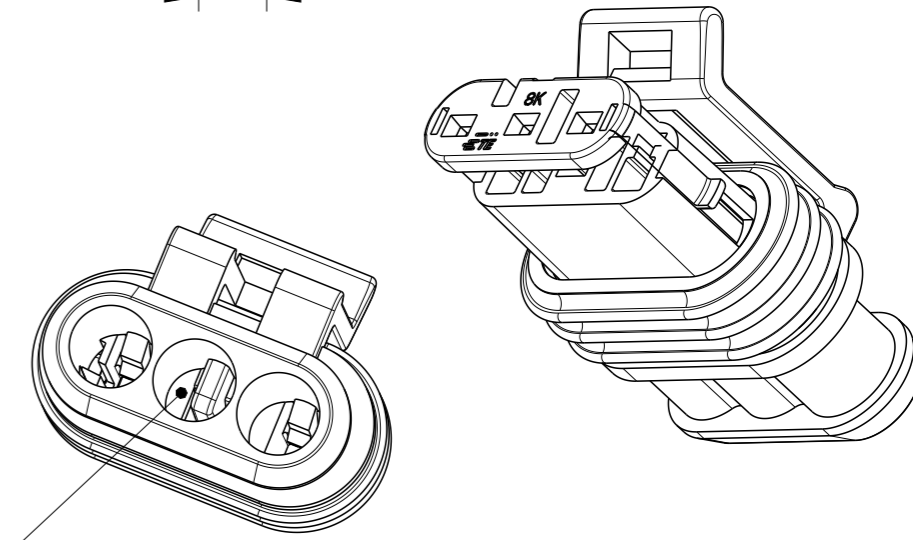
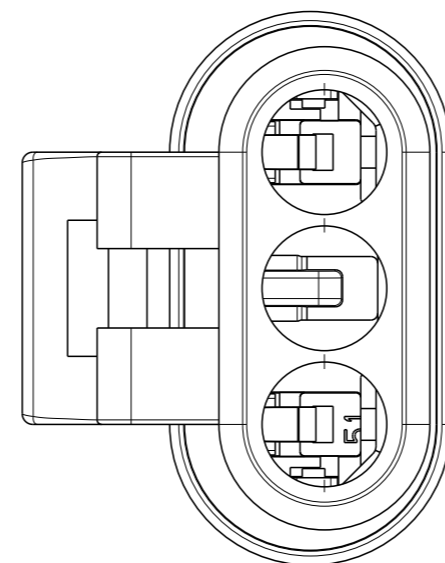
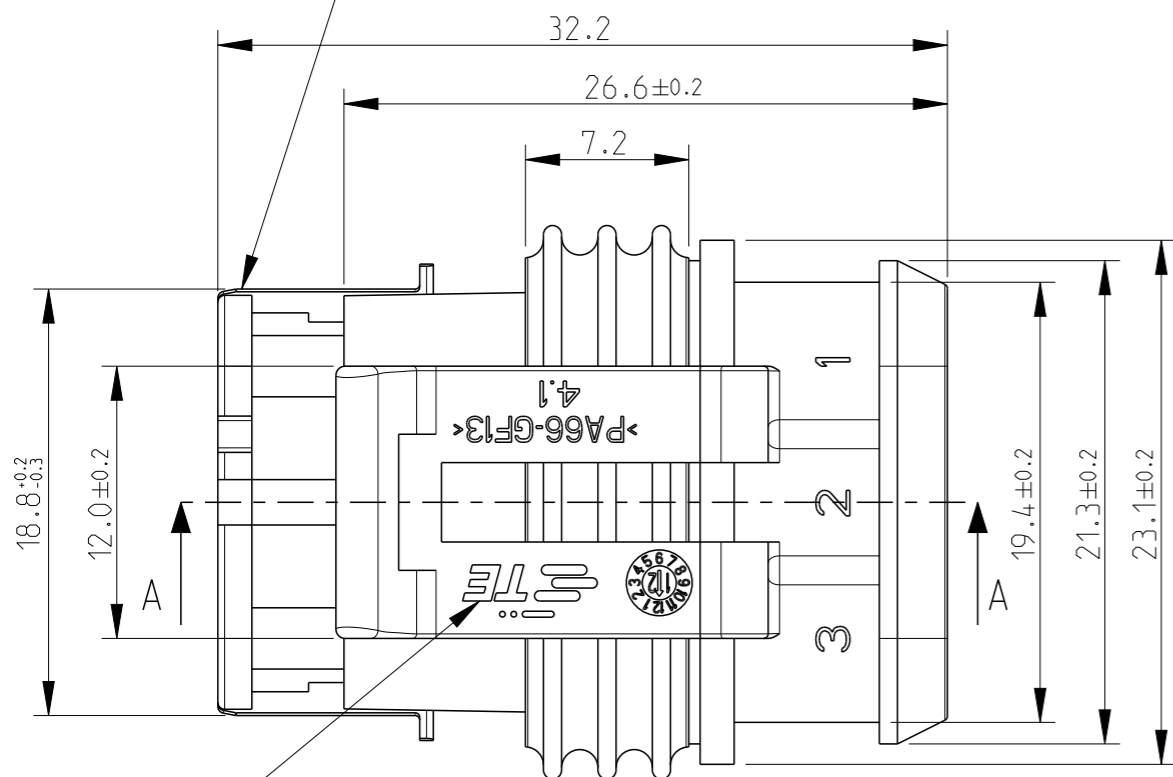
REVISIONS

P	LTR	DESCRIPTION	DATE	DWN	APVD
A2		REDRAWN (ECR-14-006262)	14MAY2014	M.G.	M.G.
B		ECR-14-009314	24MAR2015	M.P.	M.G.
B1		REVISED PER ECO-17-001706	10FEB2017	C.A.	M.G.

SECTION A-A



PRE-ASSEMBLED SECONDARY LOCK (RED COLOR)



CENTRAL CAVITY COMPLETELY PLUGGED

COLOR	MATERIAL	DESCRIPTION	ITEM NR.	PART NUMBER
YELLOW	SILICONE RUBBER	SEALING	3	284073-1
BLACK	PA66-GF	HOUSING	2	
RED	PA66-GF	SEC. LOCK	1	

TE CONNECTIVITY TRADE MARK (IN ALTERNATIVE: "AMP" LOGO OR "Tyco Electronics" LOGO)

1) FOR COUNTERPART DETAILS SEE SHEET 2 OF 2

THIS DRAWING IS A CONTROLLED DOCUMENT.

DWN: M.GHISOLFI 07APR2014  
 CHK: M.GURLINO 08APR2014  
 APVD: M.GURLINO 08APR2014

TE Connectivity

AMP SUPERSEAL 1,5 SRS.  
 3 POS. PLUG CONN. WITH CLOSED MIDDLE CAVITY

PRODUCT SPEC: 108-20090  
 APPLICATION SPEC: 412-20000

SIZE: A3  
 CAGE CODE: -  
 DRAWING NO: C-284073

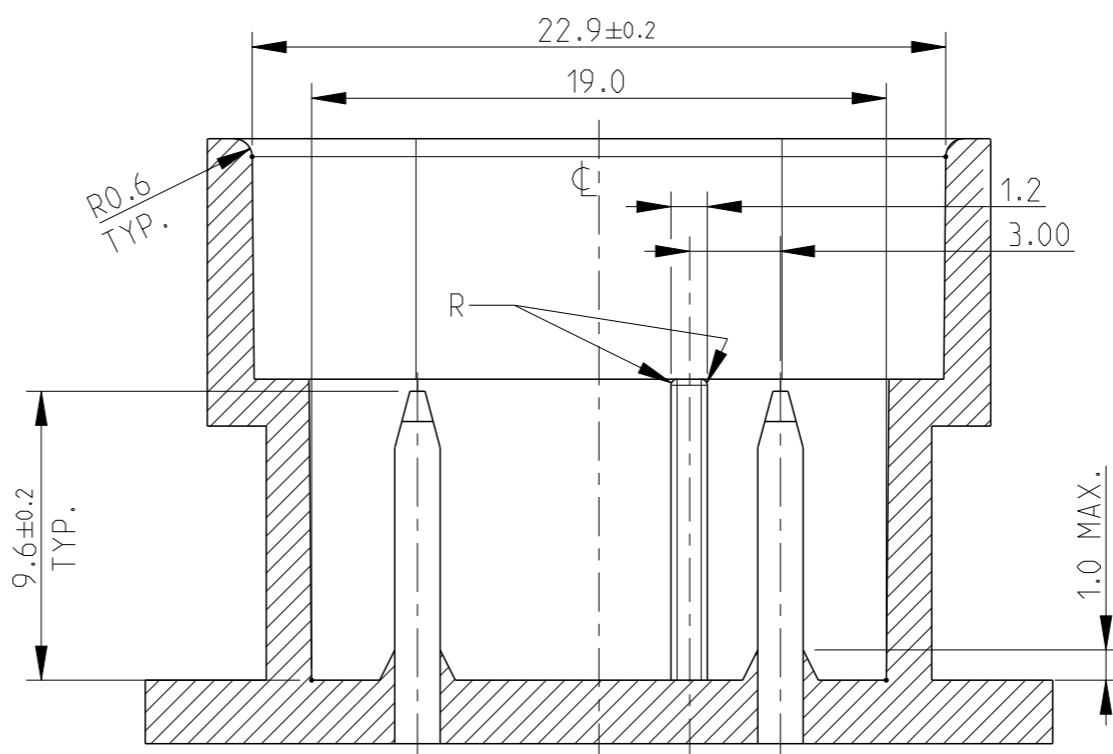
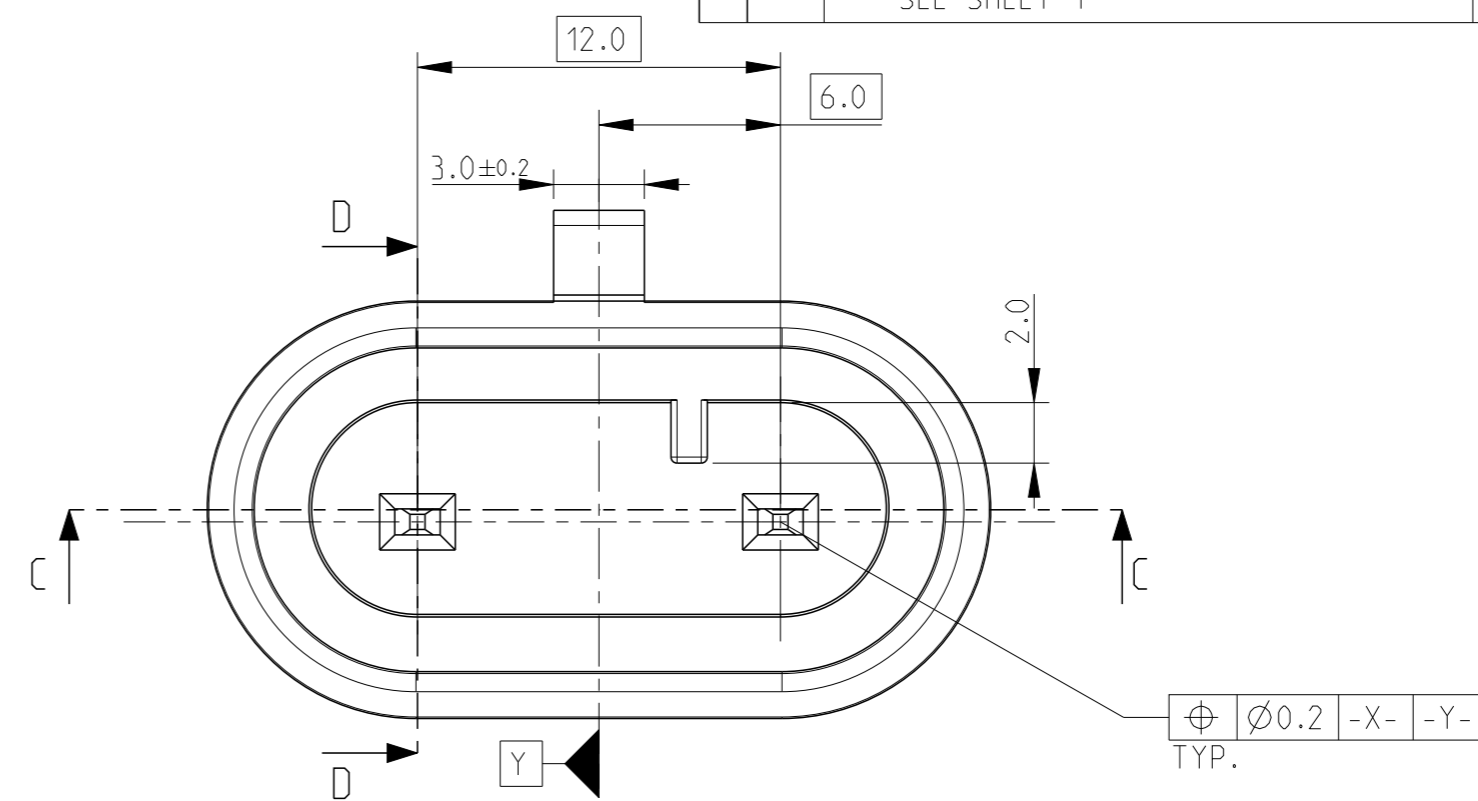
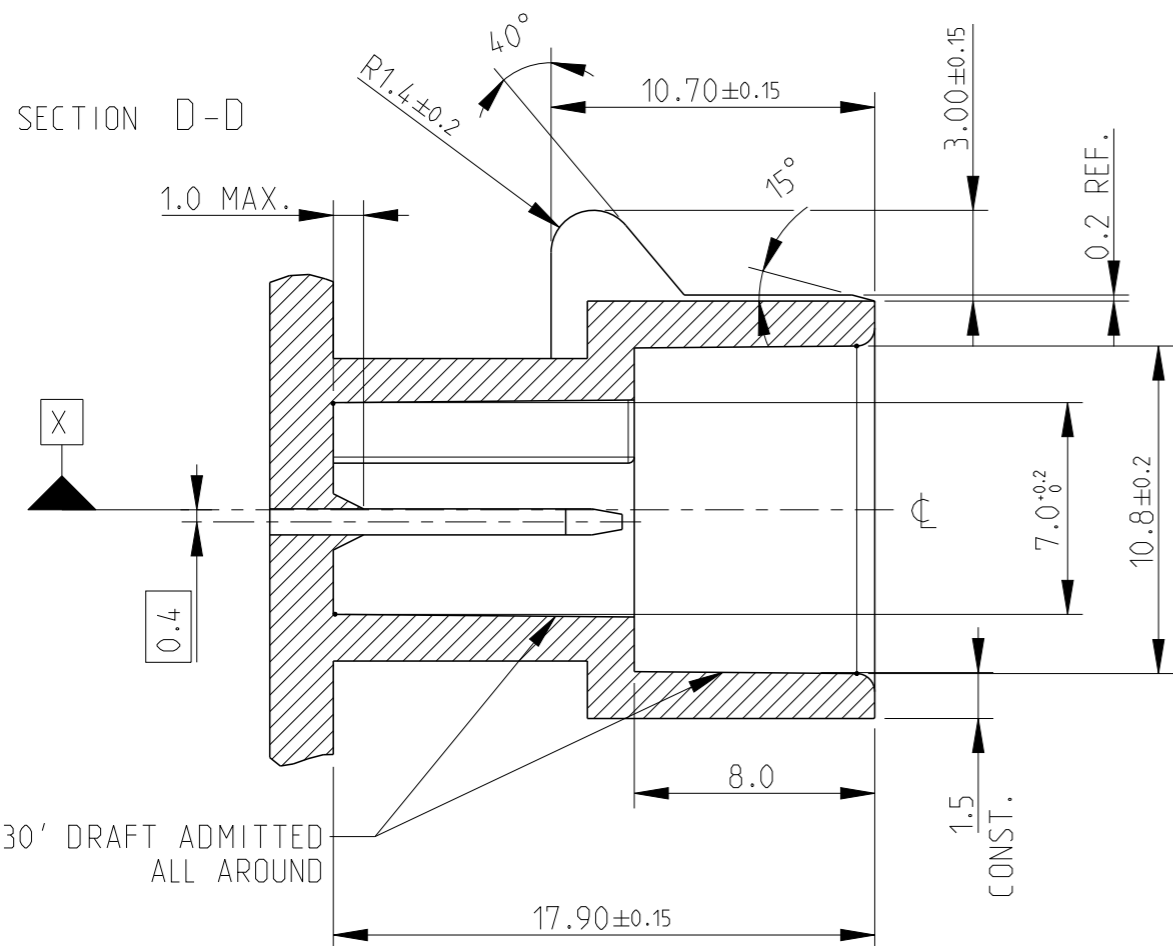
RESTRICTED TO: -

MATERIAL: SEE TABLE (VEDI TABELLA)  
 FINISH: SEE TABLE (VEDI TABELLA)

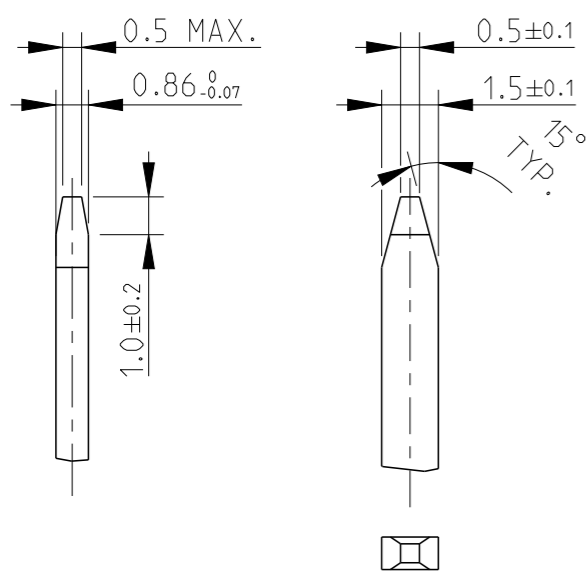
Customer Drawing

SCALE: 3:1  
 SHEET: 1 OF 2  
 REV: B1


P	LTR	DESCRIPTION	DATE	DWN	APVD
		SEE SHEET 1			



TAB DETAILS



1 MATERIALS: PA66-GF FOR HOUSING  
BRASS, TIN PLATED (1-3 µm THK.) FOR TABS

THIS DRAWING IS A CONTROLLED DOCUMENT.		DWN M.GHISOLFI 07APR2014	 TE Connectivity	
DIMENSIONS: mm		CHK M.GURLINO 08APR2014		
TOLERANCES UNLESS OTHERWISE SPECIFIED:		APVD M.GURLINO 08APR2014	NAME AMP SUPERSEAL 1,5 SRS. 3 POS. PLUG CONN. WITH CLOSED MIDDLE CAVITY	
0 PLC ±0.3 1 PLC ±0.1 2 PLC ±0.05 3 PLC ± 4 PLC ±		PRODUCT SPEC	RESTRICTED TO	
ANGLES ±2°		APPLICATION SPEC	SIZE A3	CAGE CODE -
FINISH		WEIGHT -	DRAWING NO. C=284073	SCALE 3:1
1		Customer Drawing	SHEET 2 OF 2	REV B1