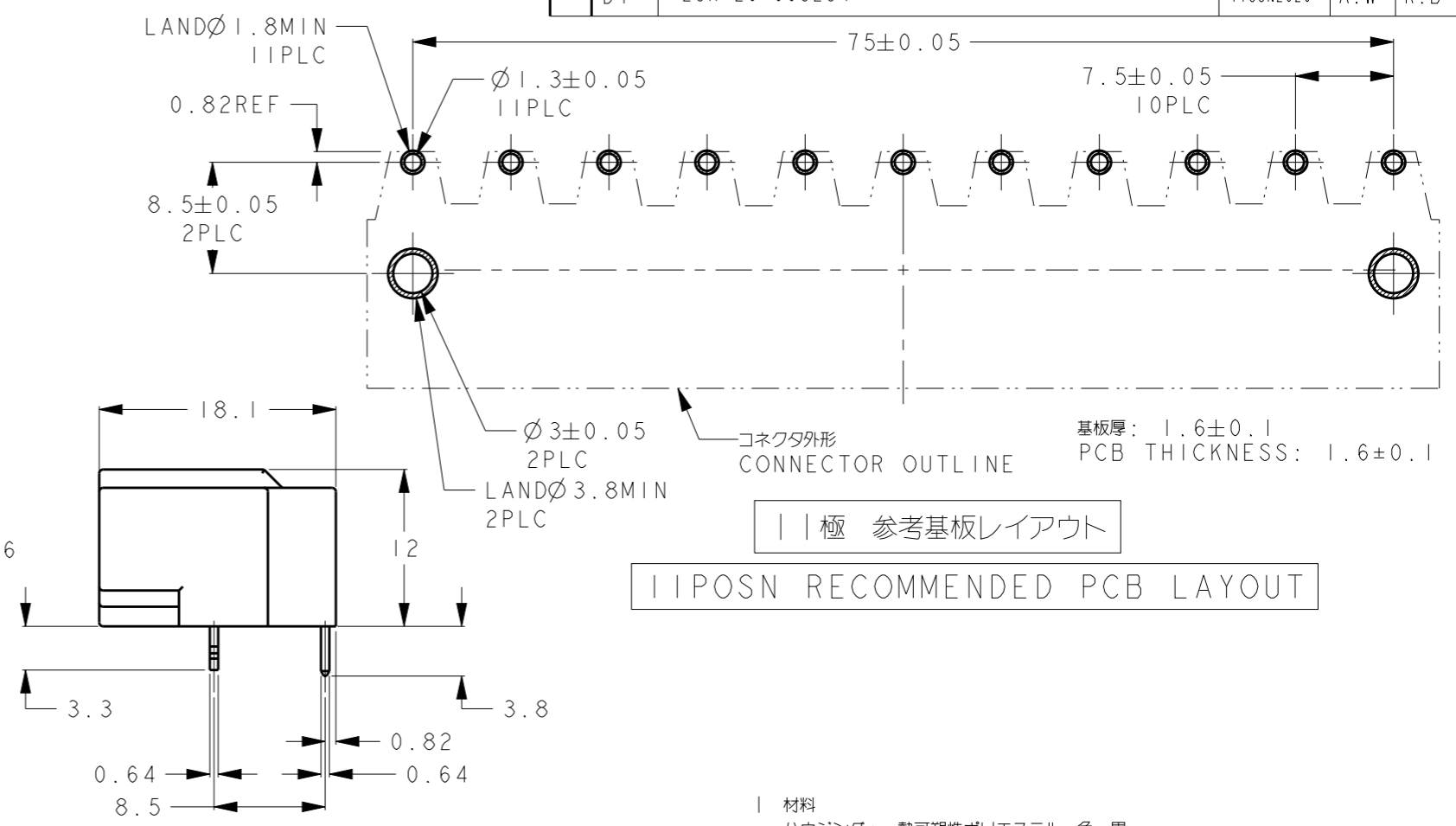
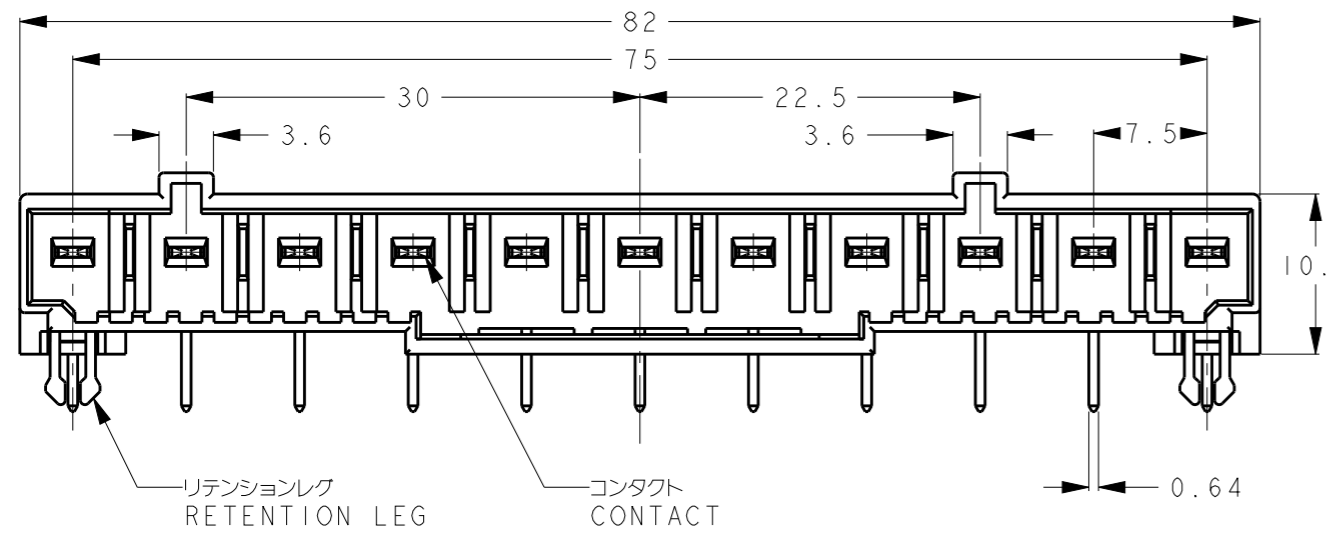
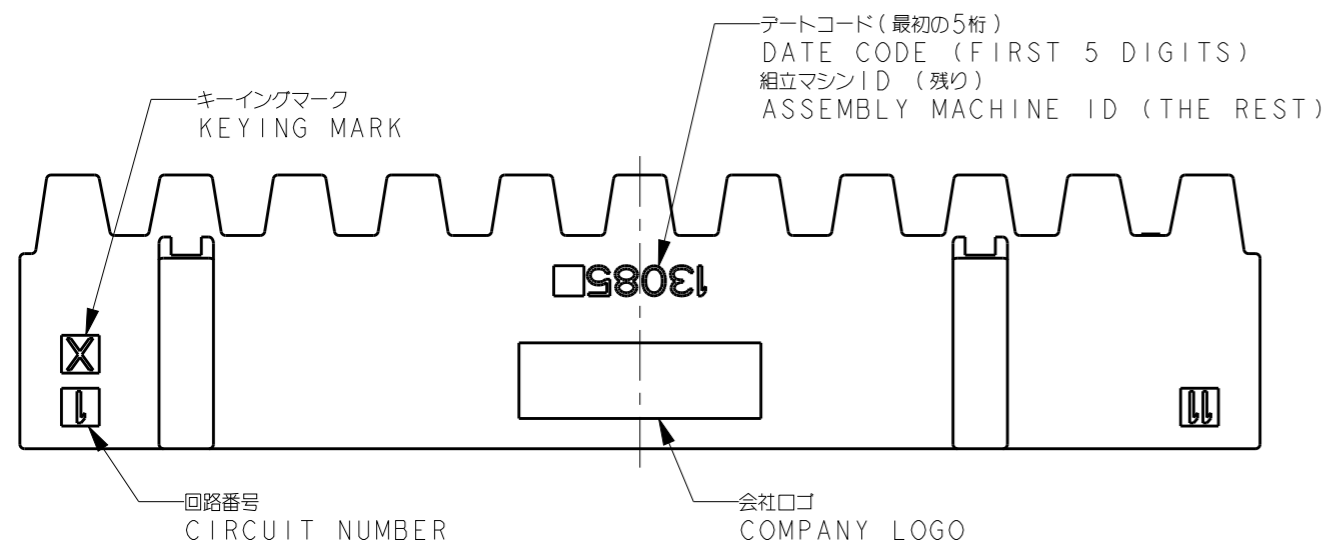


THIS DRAWING IS UNPUBLISHED. RELEASED FOR PUBLICATION XXXXX2011  
 © COPYRIGHT 2011 BY Tyco Electronics Japan G.K. ALL RIGHTS RESERVED.

LOC	DIST	REVISIONS					
J	-	P	LTR	DESCRIPTION	DATE	DWN	APVD
			B	REVISED	12JUN2018	K.T	E.I
			C	REVISED PER ECR-ECR-19-008211	23MAY2019	T.S	E.I
			D	REVISED PER ECR-ECR-19-009365	14JUN2019	K.T	E.I
			DI	ECR-20-008284	11JUN2020	A.W	R.B



- MATERIAL  
HOUSING: THERMOPLASTIC POLYESTER, COLOR: BLACK.  
CONTACT: COPPER ALLOY  
RETENSION LEG: COPPER ALLOY
- PLATING  
CONTACT POINT: UNDER Ni PLATING.  
OVER Au PLATING.  
RETENSION LEG AND TINE : UNDER Ni PLATING.  
OVER Tin PLATING.

キーイング KEYING	極数 POS	型番 PART NUMBER
Y	7	1-2229803-2
X	11	1-2229803-1
X	3	3-2229803-1

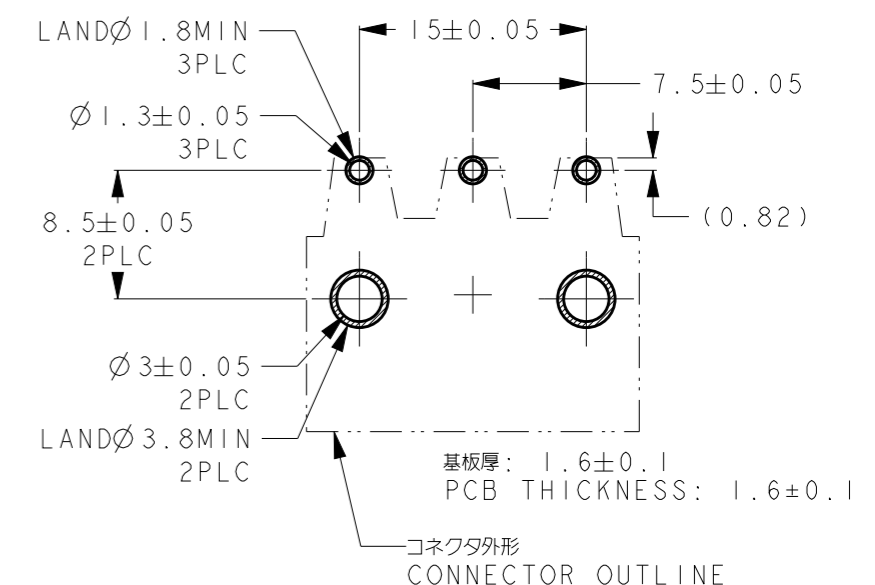
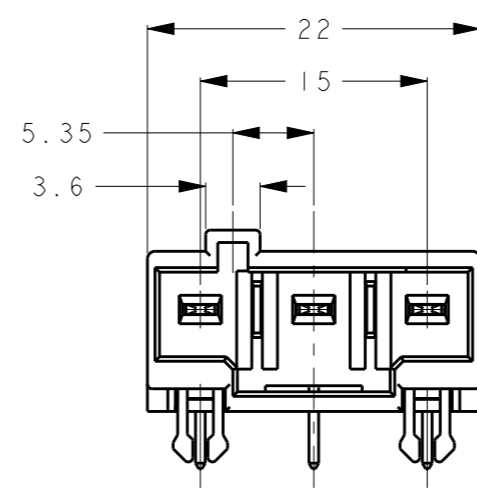
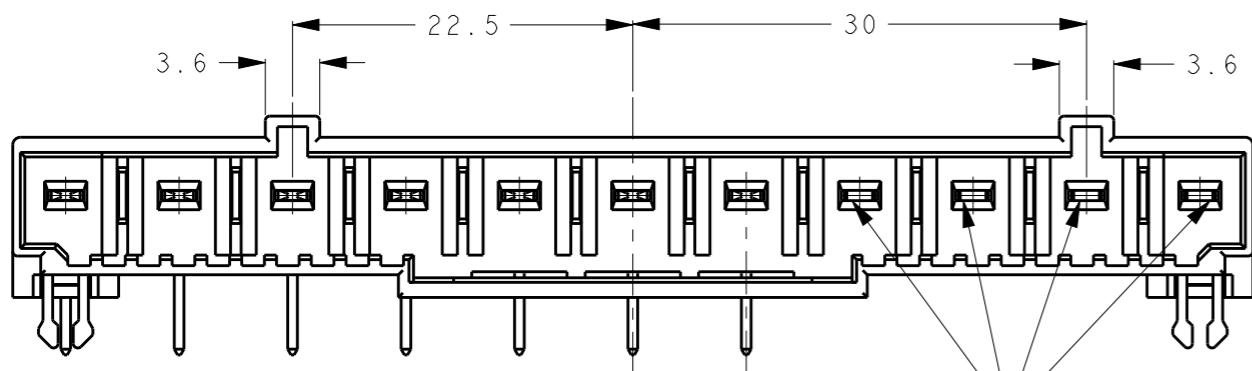
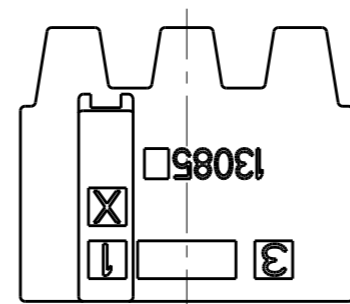
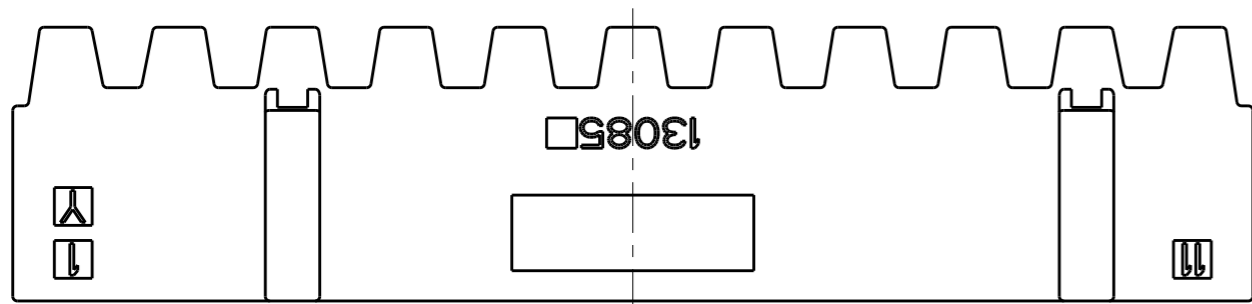
THIS DRAWING IS A CONTROLLED DOCUMENT.

DWN Y. OKADA 20FEB2013	TE Connectivity DYNAMIC D3950 HEADER ASSEMBLY
CHK S. YAMADA 20FEB2013	
APVD N. YAMASAKI 20FEB2013	
PRODUCT SPEC 製品規格 108-78997	
DIMENSIONS: 単位: 概 mm	APPLICATION SPEC 取付適用規格 411-78272
TOLERANCES UNLESS OTHERWISE SPECIFIED: 一般公差 $\pm$ 0.3 $\varnothing$ PLC $\pm$ 1 PLC $\pm$ 0.5 2 PLC $\pm$ 0.13 3 PLC $\pm$ 0.013 4 PLC $\pm$ 0.001 ANGLES $\pm$ 5	WEIGHT -
MATERIAL 材料 SEE NOTE	FINISH 仕上 SEE NOTE

SIZE A3	CAGE CODE 00779	DRAWING NO C-2229803	RESTRICTED TO -
Customer Drawing		SCALE 尺度 2:1	SHEET 1 OF 2
		REV DI	

THIS DRAWING IS UNPUBLISHED. RELEASED FOR PUBLICATION XXXXX2011  
 © COPYRIGHT 2011 BY Tyco Electronics Japan G.K. ALL RIGHTS RESERVED.

LOC	DIST	REVISIONS					
		P	LTR	DESCRIPTION	DATE	DWN	APVD
J	-			SEE SHEET 1			




1-2229803-2 (7POSN KEYING: Y)

3-2229803-1 (3POSN KEYING: X)

コンタクト無し  
NO CONTACT

3極 参考基板レイアウト

3POSN RECOMMENDED PCB LAYOUT

THIS DRAWING IS A CONTROLLED DOCUMENT.		DWN Y. OKADA 20FEB2013	 TE Connectivity	
DIMENSIONS: 単位: 宛 mm		CHK S. YAMADA 20FEB2013		
TOLERANCES UNLESS OTHERWISE SPECIFIED: 一般公差 $\pm 0.3$		APVD N. YAMASAKI 20FEB2013	NAME 名称 DYNAMIC D3950 HEADER ASSEMBLY	
0 PLC $\pm$		PRODUCT SPEC 製品規格 108-78997	SIZE A300779	
1 PLC $\pm 0.5$		APPLICATION SPEC 取付適用規格 411-78272	DRAWING NO 番号 C-2229803	
2 PLC $\pm 0.13$		WEIGHT -	RESTRICTED TO -	
3 PLC $\pm 0.013$		Customer Drawing	SCALE 尺度 2:1	
4 PLC $\pm 0.000$			SHEET 2 OF 2	
ANGLES $\pm 5$		REV D1		
MATERIAL 材料 SEE NOTE	FINISH 仕上 SEE NOTE			