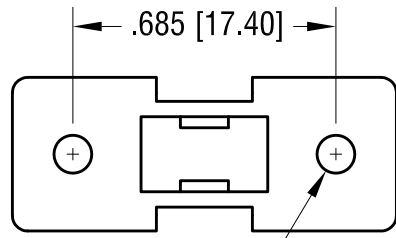
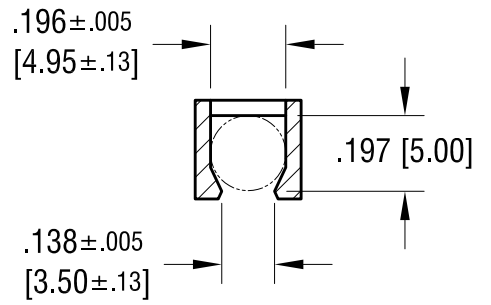
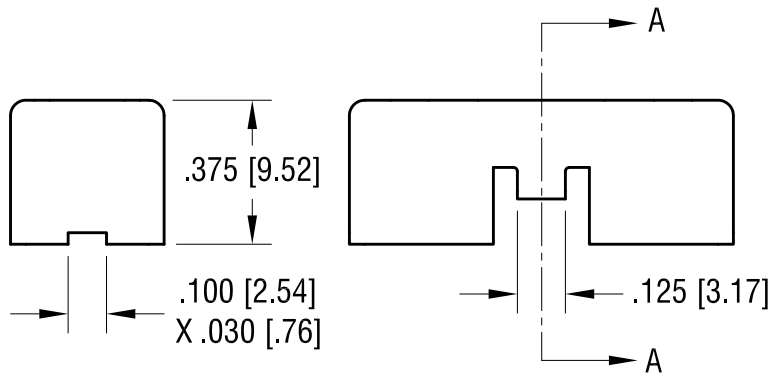
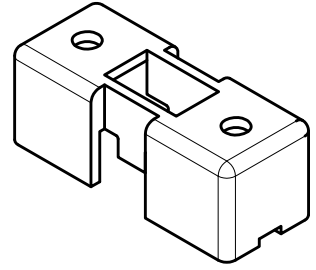


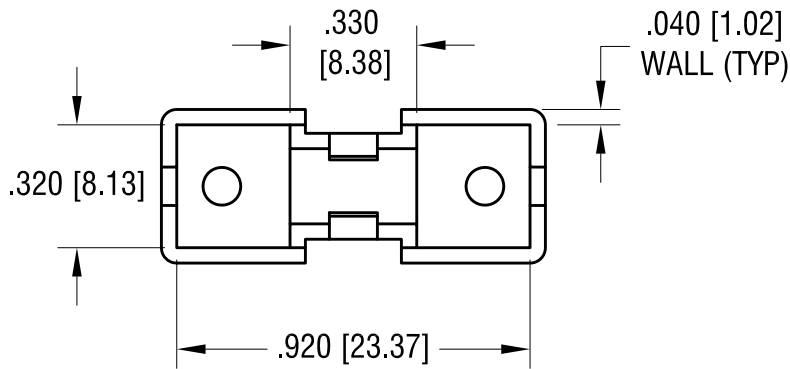
THIS DOCUMENT IS THE PROPERTY OF
KEYSTONE ELECTRONICS CORP. AND
SHALL NOT BE REPRODUCED, DISTRIBUTED
OR USED AS A BASIS FOR MANUFACTURE
WITHOUT PRIOR WRITTEN PERMISSION
FROM KEYSTONE ELECTRONICS CORP.



Ø.098 [Ø2.50] DIA.
HOLE (2) PLS.



SEC. A-A



KEYSTONE ELECTRONICS CORP.

www.keyelco.com • ASTORIA, N.Y. 11105-2017 • Tel (718) 956-8900

| | | | |
|----------------------------|-----------------|----------------------|------------------|
| PART NAME | | 5mm FUSE COVER | |
| MATERIAL | | ABS (WHITE) UL 94V-0 | |
| FINISH | - | DRN BY HAMILTON | DATE 12.02.10 |
| | | APP'D LN | SCALE 2X |
| TOLERANCES | INCH [MM] | CODE | DWG NO. |
| DECIMAL | ± .010 [± 0.25] | C/M | 3517C |
| ANGULAR | ± 1° | | |
| UNLESS OTHERWISE SPECIFIED | | | |

| | | |
|------|-------------|------|
| DATE | DESCRIPTION | REV. |
|------|-------------|------|