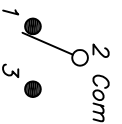
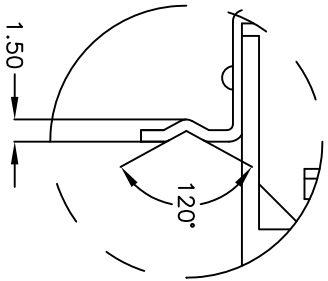


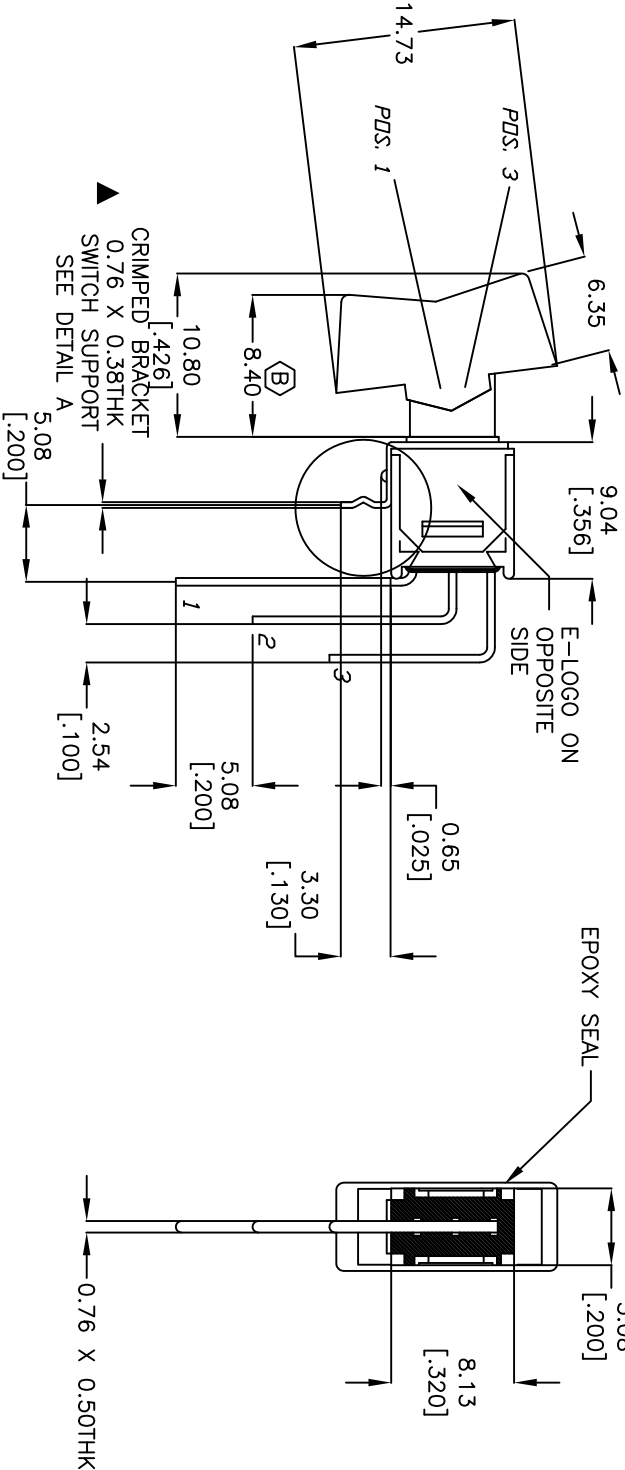
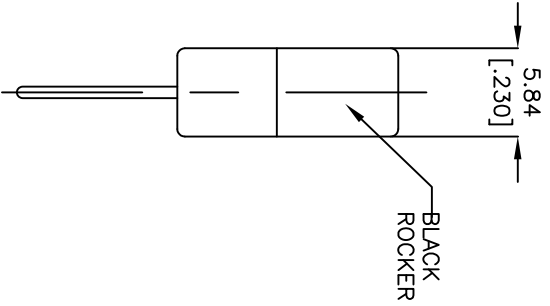
RECOMMENDED P.C.B. LAYOUT



CIRCUIT: SPDT  
CONTACT CONFIGURATION

SWITCH FUNCTION		
PDS: 1	PDS: 2	PDS: 3
DN	NONE	DN
2-3	OPEN	2-1

- NOTES:
- ALL DIMENSIONS IN MM [INCH]
  - GENERAL TOLERANCE: X.X=±0.4 X:XX=±0.25
  - TERM. NOS. FOR REF. ONLY
  - RATING: 3A @120VAC, OR 28VDC 1A @250VAC
  - FIXED TERMINAL/MOVING CONTACT MATERIAL: COPPER ALLOY w/SILVER PLATING
  - ELECTRIC LIFE: 30,000 make-and-break cycles at full load.
  - INSULATION RESISTANCE: 1,000 M ohm min.
  - DIELECTRIC STRENGTH: 1,000 V RMS @sea level.
  - OPERATING TEMP. -30°C to +85°C
  - ▲ DENOTES CRITICAL PARAMETER.



B	19583	CORRECT DIMENSION	01/13/11	BMA
A	13545	RELEASED FOR PRODUCTION	10/22/03	AR
REV.	ECN No.	DESCRIPTION	DATE	CHKD

THE INFORMATION CONTAINED IN THIS DOCUMENT IS PROPRIETARY TO E-SWITCH AND IS NOT TO BE COPIED OR TRANSFERRED

TITLE		SCALE		DATE	DR	DWG	REV
400MSP1R6BLKM71QE		2:1		10/22/03	AR	T411114	B

