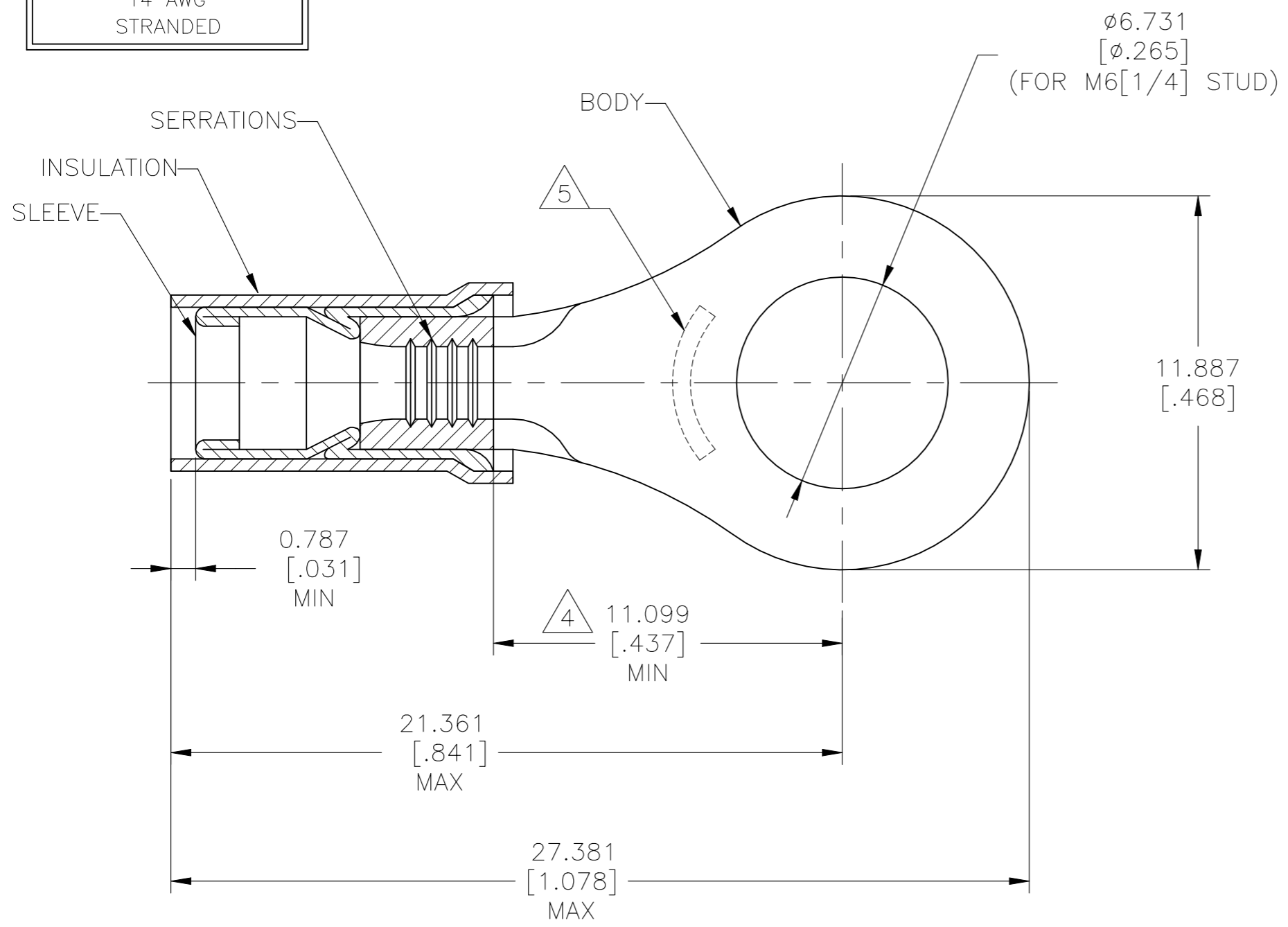


REVISIONS					
P	LTR	DESCRIPTION	DATE	DWN	APVD
	H5	ECR-22-138429	19MAY2022	LP	DSC

**AMP**  
WIRE RANGE

14 AWG  
STRANDED



- 1 MATERIAL:  
BODY & SLEEVE - COPPER PER ASTM B152  
INSULATION - PTFE PER ASTM D4895
- FINISH:  
BODY - NICKEL PLATE 0.00762[.00030]  
AVG EXT THK PER SAE AMS-QQ-N-290  
SLEEVE - NICKEL PLATE 0.001651[.000065]  
AVG EXT THK PER SAE AMS-QQ-N-290  
INSULATION COLOR - WHITE
- 2 FOR 2.032[.080] TO 3.810[.150]  
WIRE INSULATION DIA.
- 3 BODY MATERIAL THK: 0.787±0.051 [.031±.002]
- 4 DIMENSION APPLIES FROM EDGE OF METAL  
WIRE BARREL TO CENTER OF STUD HOLE
- 5 STAMP "AMP 14" APPROX AS SHOWN

1000	LOOSE PIECE	50841
QTY	PACKAGE TYPE	PART NO.

AMP INCORPORATED CUSTOMER SERVICE SYSTEMS		MAX RECOMMENDED OPERATING TEMPERATURE: 288°C [550°F]	THIS DRAWING IS A CONTROLLED DOCUMENT.		DWN 130CT2015 NAGALAKSHMI K	<b>STE</b> TE Connectivity				
FOR ADDITIONAL PRODUCT INFORMATION OR COPIES OF DRAWINGS AND TECHNICAL DOCUMENTS	PRODUCT INFORMATION CENTER 1-800-522-6752	VOLTAGE RATING: 300V MAX	DIMENSIONS: mm [INCHES]	TOLERANCES UNLESS OTHERWISE SPECIFIED:	CHK 130CT2015 MERCURIO MAURIZIO				NAME TERMINAL, RING TONGUE, PIDG, STRATO-THERM, WIRE SIZE: 14 AWG	
FOR APPLICATION TOOLING INFORMATION	TOOLING ASSISTANCE CENTER 1-800-722-1111	CIRCULAR MIL AREA: 2.15mm²[4,234] STRANDED WIRE ONLY		0 PLC ± - 1 PLC ± - 2 PLC ± - 3 PLC ± 0.127[.005] 4 PLC ± - ANGLES ± -	APVD 130CT2015 MERCURIO MAURIZIO	APPLICATION SPEC 114-2162	SIZE A3	CAGE CODE 00779	DRAWING NO C-50841	RESTRICTED TO -
FOR ORDER ENTRY	1-800-526-5142	MATERIAL 1	FINISH 1	WEIGHT -	PRODUCT SPEC -	CUSTOMER DRAWING	SCALE NTS	SHEET 1 OF 1	REV H5	