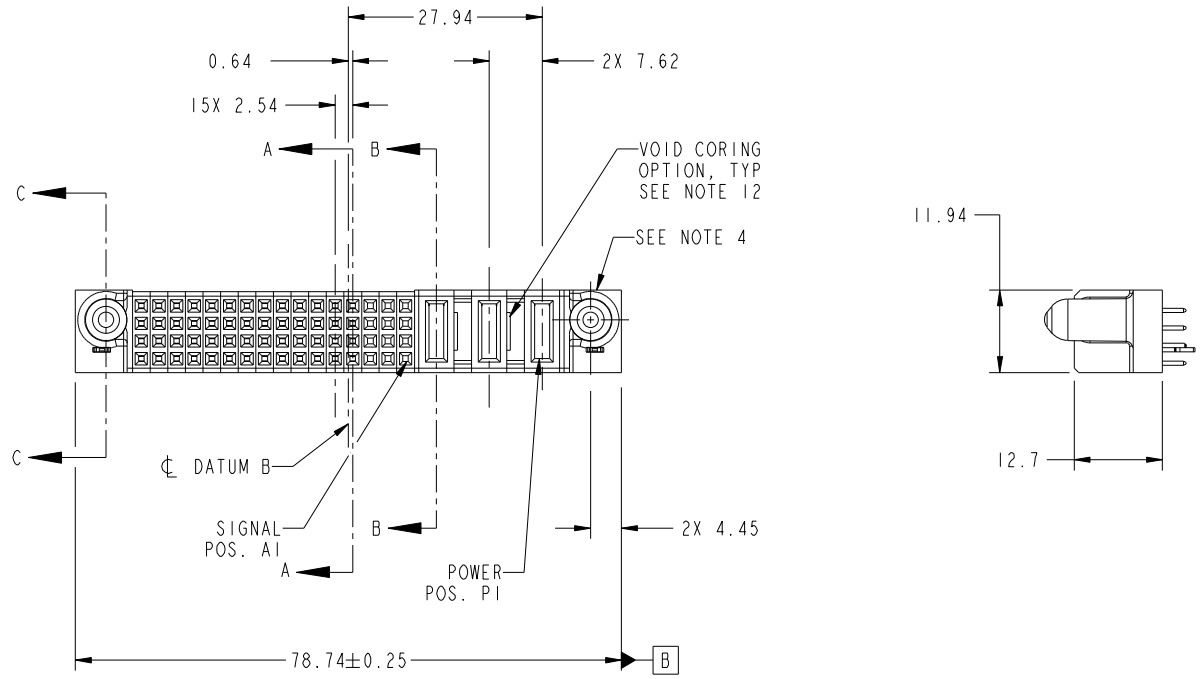


Tous droits strictement reserves. Reproduction ou communication a des tiers interdite sous quelque forme que ce soit sans autorisation écrite du propriétaire. Propriete de c FCI. Droits de reproduction FCI.



All rights strictly reserved. Reproduction or issue to third parties in any form whatever is not permitted without written authority from the proprietor. Property of FCI. Copyright FCI.

| PRODUCT NO. | ROWS | SIGNAL | | | | | | | | | | | | | | | | POWER | | | E1 | | | | |
|------------------------|------------------|--------|----|----|----|----|----|----|----|---|---|---|---|---|---|---|---|-------|----|----|----|----|----|----|--|
| | | E2 | 16 | 15 | 14 | 13 | 12 | 11 | 10 | 9 | 8 | 7 | 6 | 5 | 4 | 3 | 2 | 1 | P3 | P2 | | P1 | | | |
| 51940-327-- NOTE: 3 | D C B A | | E | E | E | E | E | E | E | E | E | E | E | E | E | E | E | X | X | X | X | PA | PA | PA | |



| CODE | DIM "M" MATING LENGTH | CONTACT TYPE |
|------|-----------------------|--------------|
| E | [N/A] | SIGNAL |
| PA | [1.07] | POWER |
| HA | [N/A] | HOLD-DOWN |
| X | OMITTED | OMITTED |

| mat'l code | | | | SEE NOTES | | tolerances unless otherwise specified | | CUSTOMER | | FCI | |
|-------------|----------------|----|------------|-----------|------------------------|---------------------------------------|----------------|----------|--------------------------------|------|-------|
| ltr | ecn no. | dr | date | linear | 0.X ±0.5 | projection | COPY | | www.fciconnect.com | | |
| A | DG10-0033 | AL | 01/20/2010 | angles | 0.XX ±0.25 | | title | | 3ACP + 64S VERTICAL STB RECEPT | | |
| | | | | dr | 0.XXX ±0.1 | | product family | | PwrBlade | code | |
| | | | | enr | 0° ±2° | scale | size | | A | 213 | |
| | | | | chr | Anson Liu 01/20/2010 | 1:1 | dwg no | | 51940-327 | | sheet |
| | | | | appd | Warren Du 01/20/2010 | | 1 of 4 | | | | |
| | | | | | PM Zheng 01/20/2010 | | | | | | |
| | | | | | Joseph Hsia 01/20/2010 | | | | | | |
| sheet index | revision sheet | A | A | A | A | | | | | | |
| | | 1 | 2 | 3 | 4 | | | | | | |

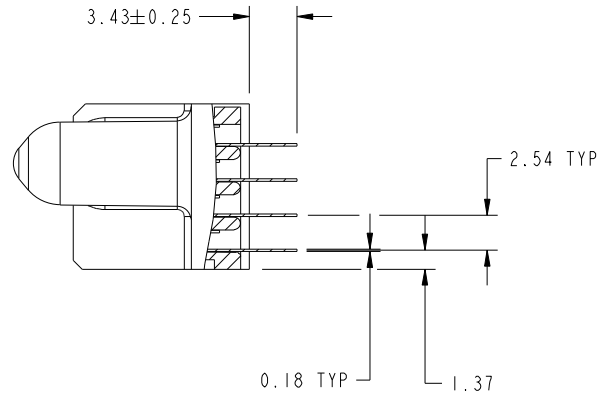
cage code 22526

Tous droits strictement reserves. Reproduction ou communication a des tiers interdite sous quelque forme que ce soit sans autorisation écrite du propriétaire. Propriete de c FCI. Droits de reproduction FCI.

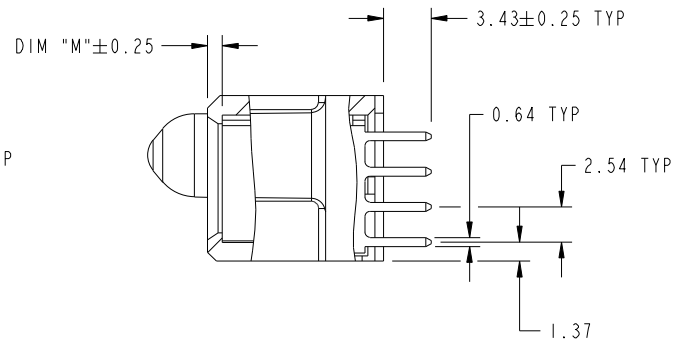


All rights strictly reserved. Reproduction or issue to third parties in any form whatever is not permitted without written authority from the proprietor. Property of FCI. Copyright FCI.

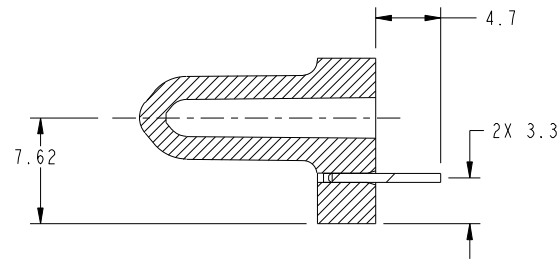
PRODUCT NUMBER
51940-327--
NOTE: 3



SECTION A-A
SCALE 2:1



SECTION B-B
SCALE 2:1



SECTION C-C
SCALE 2:1

| | | | | | | | | | |
|-------------|---------|----------------|------|---------------------------------------|------------------------|------------|--|------------------------------------|--|
| mat'l code | | | | tolerances unless otherwise specified | | CUSTOMER | | FCI | |
| ltr | ecn no. | dr | date | linear | 0.X ± 0.5 | COPY | | www.fciconnect.com | |
| A | - | - | - | | 0.XX ± 0.25 | projection | | title | |
| | | | | | 0.XXX ± 0.1 | | | 3ACP + 64S VERTICAL STB RECEIPT | |
| | | | | angles | 0° ± 2° | | | product family PwrBlade code | |
| | | | | dr | Anson Liu 01/20/2010 | scale | | size | |
| | | | | enr | Warren Du 01/20/2010 | 1:1 | | dwg no | |
| | | | | chr | PM Zheng 01/20/2010 | | | A 51940-327 | |
| | | | | appd | Joseph Hsia 01/20/2010 | | | sheet | |
| sheet index | | revision sheet | | | | | | 2 of 4 | |

cage code 22526

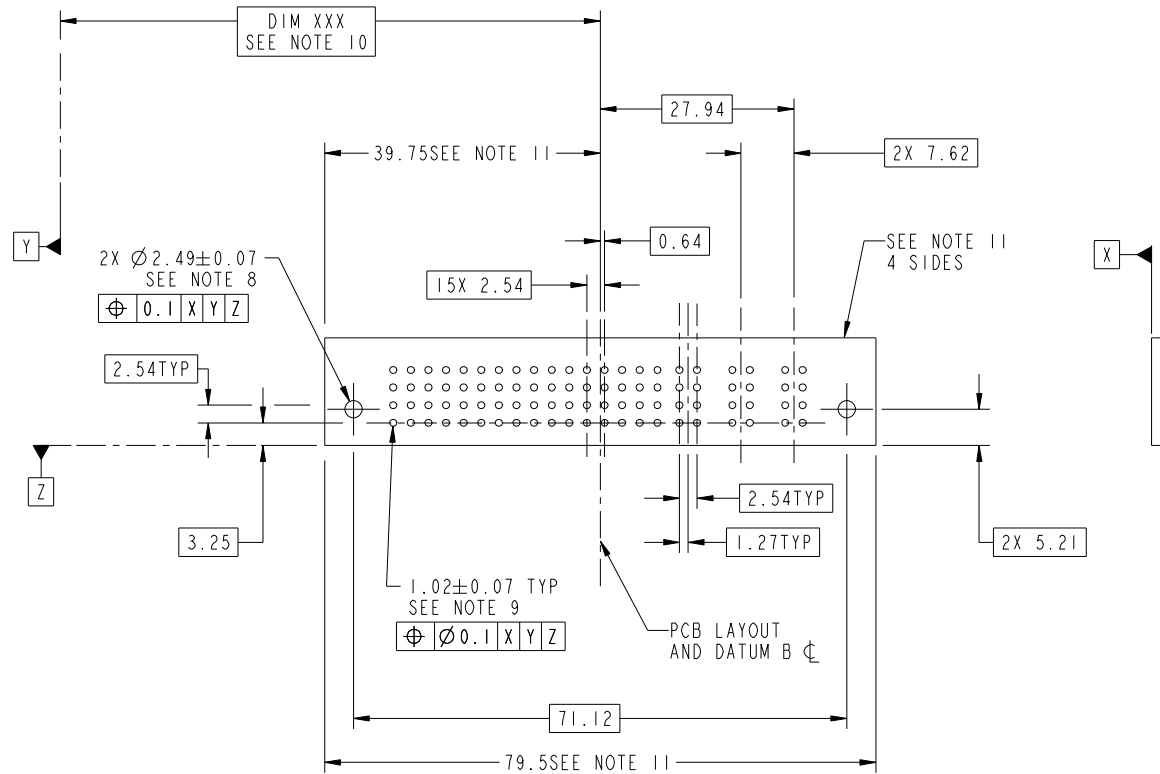
Pro/E

Tous droits strictement reserves. Reproduction ou communication a des tiers interdite sous quelque forme que ce soit sans autorisation écrite du propriétaire. Propriete de c FCI. Droits de reproduction FCI.



All rights strictly reserved. Reproduction or issue to third parties in any form whatever is not permitted without written authority from the proprietor. Property of FCI. Copyright FCI.

PRODUCT NUMBER
51940-327__
NOTE: 3



| | | | | | | | | | |
|-------------|---------|----------------|------|---------------------------------------|------------------------|------------|--|------------------------------------|--|
| mat'l code | | | | tolerances unless otherwise specified | | CUSTOMER | | FCI | |
| ltr | ecn no. | dr | date | linear | 0.X ±0.5 | COPY | | www.fciconnect.com | |
| A | - - - | - | - | linear | 0.XX ±0.25 | projection | | title | |
| | | | | angles | 0.XXX ±0.1 | | | 3ACP + 64S VERTICAL STB RECEPT | |
| | | | | dr | Anson Liu 01/20/2010 | MIM | | product family PwrBlade code 213 | |
| | | | | enr | Warren Du 01/20/2010 | | | size dwg no 51940-327 sheet 3 of 4 | |
| | | | | chr | PM Zheng 01/20/2010 | scale 1:1 | | | |
| | | | | appd | Joseph Hsia 01/20/2010 | | | | |
| sheet index | | revision sheet | | | | | | | |

cage code 22526

Pro/E

Tous droits strictement reserves. Reproduction ou communication a des tiers interdite sous quelque forme que ce soit sans autorisation écrite du propriétaire. Propriete de c FCI. Droits de reproduction FCI.

All rights strictly reserved. Reproduction or issue to third parties in any form whatever is not permitted without written authority from the proprietor. Property of FCI. Copyright FCI.

PRODUCT NUMBER
51940-327--
NOTE: 3

NOTES:

1. DIMENSIONS AND TOLERANCES ARE IN ACCORDANCE WITH ASME Y14.5M, 1994 UNLESS OTHERWISE SPECIFIED.

CONNECTOR NOTES:

2 HOUSING MATERIAL: UL 94 V-0 GLASS FILLED HIGH-TEMP THERMOPLASTIC
POWER CONTACT MATERIAL: COPPER ALLOY
SIGNAL PIN MATERIAL: COPPER ALLOY

3. PLATING SPEC.
SEE ITEM 586 IN PRINT 10064183 FOR PLATING SPEC OF 51752-032 ,51752-032LF RESPECTIVELY

4 MANUFACTURER'S NAME, DATE CODE AND OPTIONAL P/N TO APPEAR ON THIS SURFACE. THE P/N CAN BE OMITTED IF THERE IS NOT ENOUGH SPACE ON THIS SURFACE.

5. PRODUCT SPECIFICATION GS-12-149.
APPLICATION SPECIFICATION BUS-20-067.

6. PACKAGED IN TRAYS.

PCB NOTES:

7. ALL HOLE DIAMETERS ARE FINISHED HOLE SIZE.

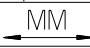
8 MOUNTING HOLES, WHERE APPLICABLE, ARE UNPLATED.

9 $\varnothing 1.151 \pm 0.025$ DRILLED HOLES PLATED WITH
0.008 MIN SnPb OR Sn OVER 0.03
TO 0.08 Cu PLATING TO ACHIEVE
 $\varnothing 1.02 \pm 0.07$ HOLE.

10 "DIM XXX" TO BE DETERMINED BY THE CUSTOMER.

11 CONNECTOR KEEP-OUT ZONE.

12. THE VOID CORING IN BETWEEN POWER MODULES, SIGNAL MODULES AND END MODULES ARE OPTIONAL AND THE SHAPE MAY BE DIFFERENT FOR OPTIMIZE THE MOLDING PROCESS. THE VOID CORING WILL NOT EFFECT TO PRODUCT FUNCTION.

| | | | | | | | | | | | | |
|-------------|----------------|----|------|---------------------------------------|---|------------|---|-----|----------------|-----------|-------|--------|
| mat'l code | | | | tolerances unless otherwise specified | | CUSTOMER | | FCI | | | | |
| ltr | ecn no. | dr | date | linear | COPY | | www.fciconnect.com | | | | | |
| A | --- | - | --- | | projection | | title | | | | | |
| | | | | | $0.X \pm 0.5$ $0.XX \pm 0.25$ $0.XXX \pm 0.1$ | | 3ACP + 64S VERTICAL STB RECEIPT | | | | | |
| | | | | angles | $0^\circ \pm 2^\circ$ | |  | | product family | PwrBlade | code | 213 |
| | | | | dr | Anson Liu | 01/20/2010 | size | | dwg no | 51940-327 | sheet | 4 of 4 |
| | | | | enr | Warren Du | 01/20/2010 | scale | | A | | | |
| | | | | chr | PM Zheng | 01/20/2010 | 1:1 | | | | | |
| | | | | appd | Joseph Hsia | 01/20/2010 | | | | | | |
| sheet index | revision sheet | | | | | | | | | | | |

cage code 22526

Pro/E