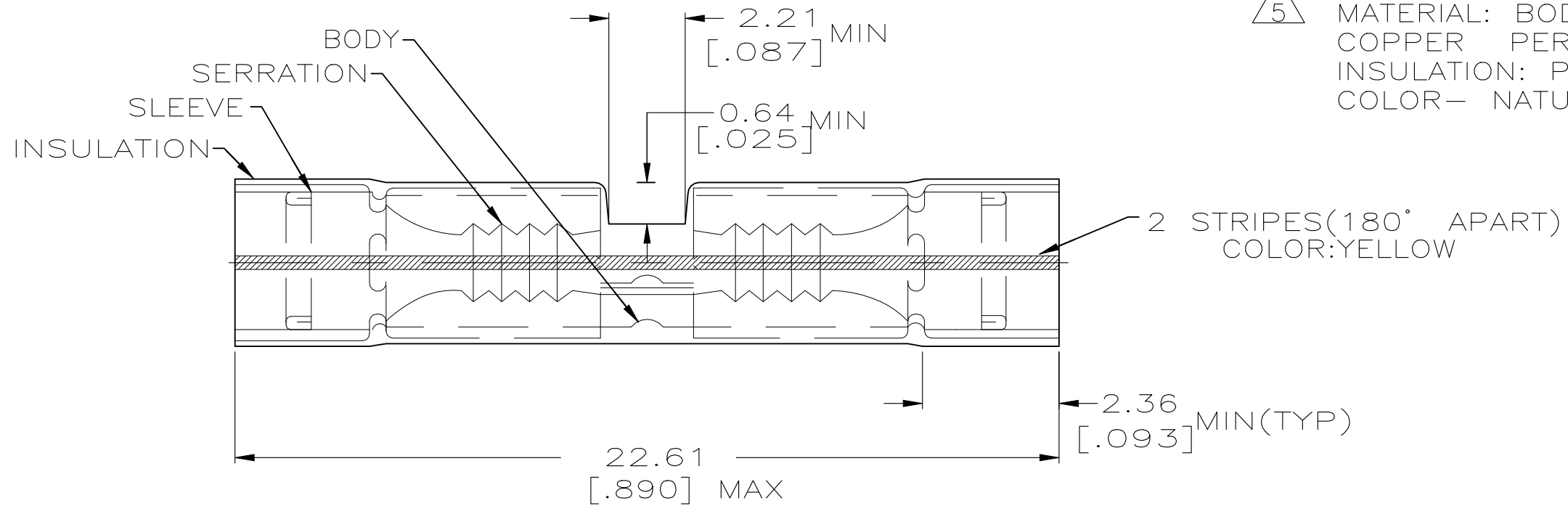


REVISIONS				
P	LTR	DESCRIPTION	DATE	APVD
	M1	REV PER ECN-22-156403	06JUN2022	RK CSD

AMP
WIRE RANGE

26-22 AWG
STRANDED

- 1 WIRE INSULATION DIA 1.27 [.050] TO 2.08 [.082].
- 2 26-22 COMMERCIAL
- 3 SUPERSEDED BY 53546-1
- 4 FINISH: BODY AND SLEEVE: TIN/LEAD (93-7) PLATE PER ASTM B545. (3% MIN LEAD CONTENT)
- 5 MATERIAL: BODY AND SLEEVE, COPPER PER ASTM B152 INSULATION: PVF² COLOR- NATURAL



-	1000	LOOSE PIECE	2 53546-3 3
26-24 M7928/6-1 CLASS 1	1000		53546-1
MILITARY P/N & CLASS PER MIL-T-7928	QTY	PACKAGE TYPE	PART NO

AMP INCORPORATED CUSTOMER SERVICE SYSTEMS		MAX RECOMMENDED OPERATING TEMPERATURE: 150°C
FOR ADDITIONAL PRODUCT INFORMATION OR COPIES OF DRAWINGS AND TECHNICAL DOCUMENTS	PRODUCT INFORMATION CENTER 1-800-522-6752	VOLTAGE RATING: -
FOR APPLICATION TOOLING INFORMATION	TOOLING ASSISTANCE CENTER 1-800-722-1111	CIRCULAR MIL AREA: 0.10-0.41mm ² [202-810] STRANDED
FOR ORDER ENTRY	1-800-526-5142	THIS DRAWING IS A CONTROLLED DOCUMENT FOR AMP INCORPORATED. IT IS SUBJECT TO CHANGE AND THE CONTROLLING ENGINEERING ORGANIZATION SHOULD BE CONTACTED FOR THE LATEST REVISION.

THIS DRAWING IS A CONTROLLED DOCUMENT.	
DIMENSIONS: MM [INCHES]	TOLERANCES UNLESS OTHERWISE SPECIFIED:
	0 PLC ± -
	1 PLC ± -
	2 PLC ± 0.20 [.008]
	3 PLC ± -
	4 PLC ± -
	ANGLES ± -
MATERIAL	FINISH
5	4

DWN S.S. GOULDEN 9-28-93	STE TE Connectivity	NAME		RESTRICTED TO		
CHK R. HERSEY 9-28-93		SPLICE, BUTT, PVF ² , P.I.D.G. WIRE SIZE: 26-22 AWG , P.I.D.G.,		-		
APVD M ELLIS 9-28-93		PRODUCT SPEC	108-11023	SIZE	CAGE CODE	DRAWING NO
APPLICATION SPEC		-	-	A3	00779	C-53546
WEIGHT	-	CUSTOMER DRAWING	SCALE	1:1	SHEET 1 OF 1	
					REV M1	