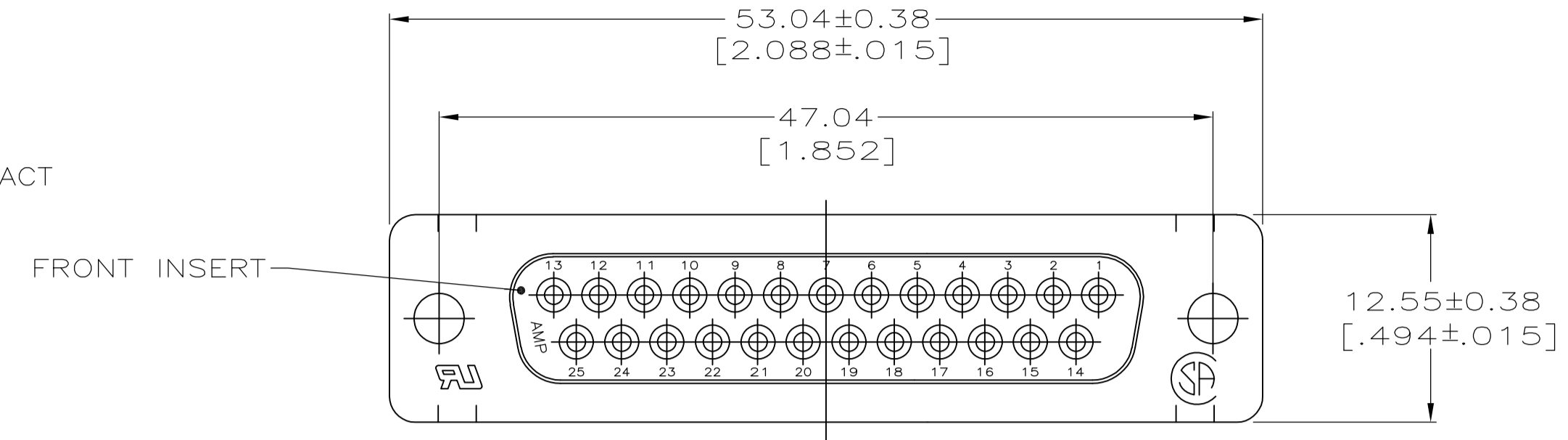
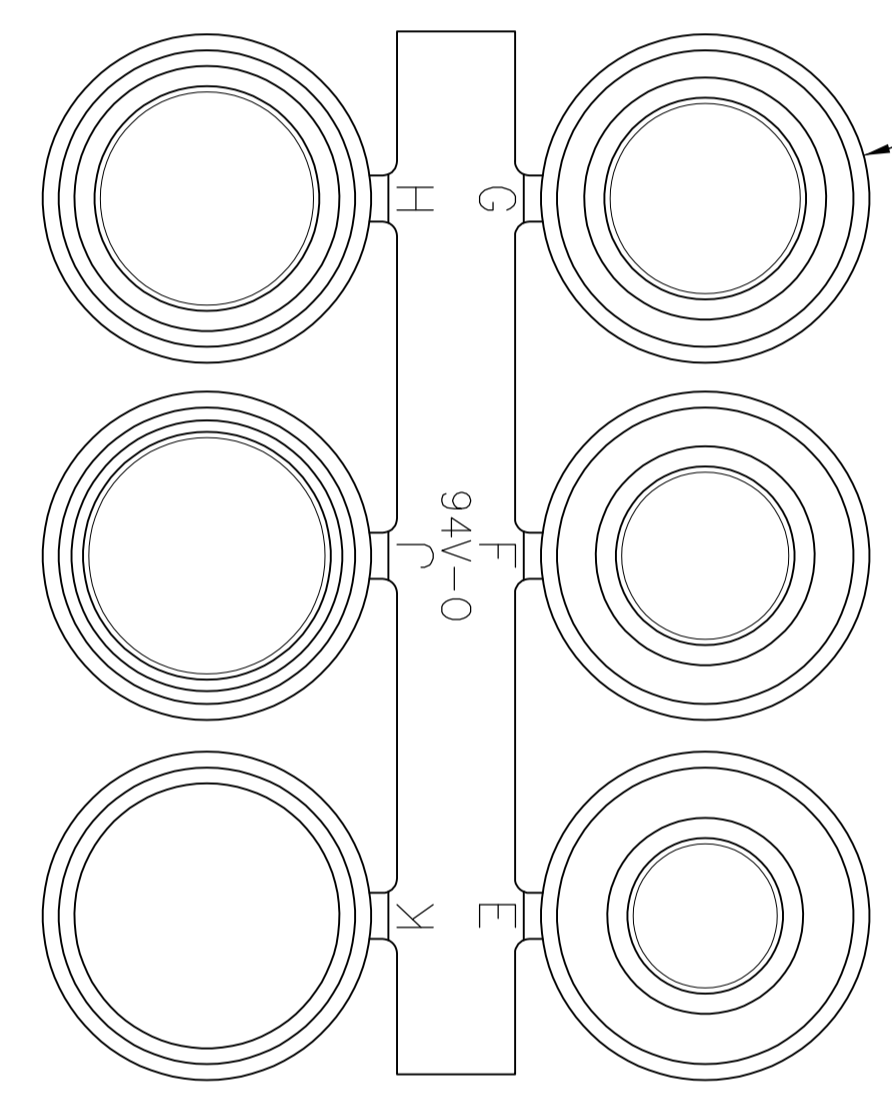


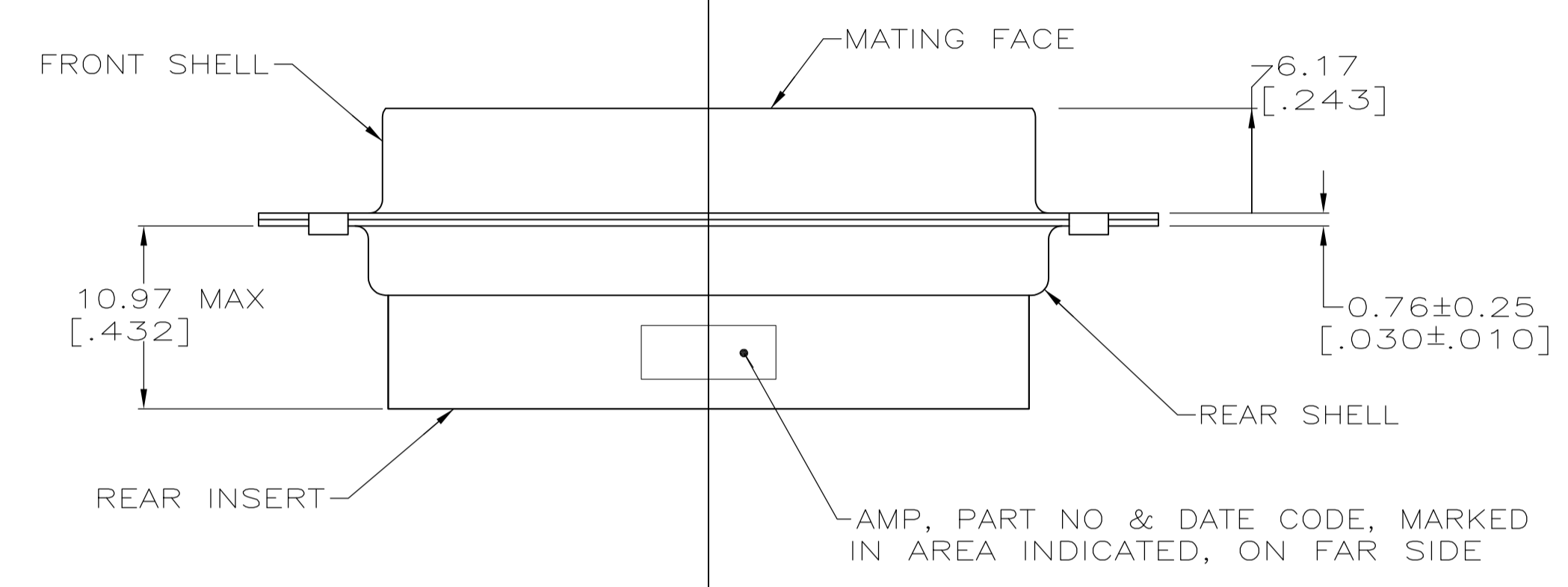
SOCKET CONTACT
QTY: 26



FRONT INSERT



GROMMET ASSORTMENT



FRONT SHELL

MATING FACE

6.17 [.243]

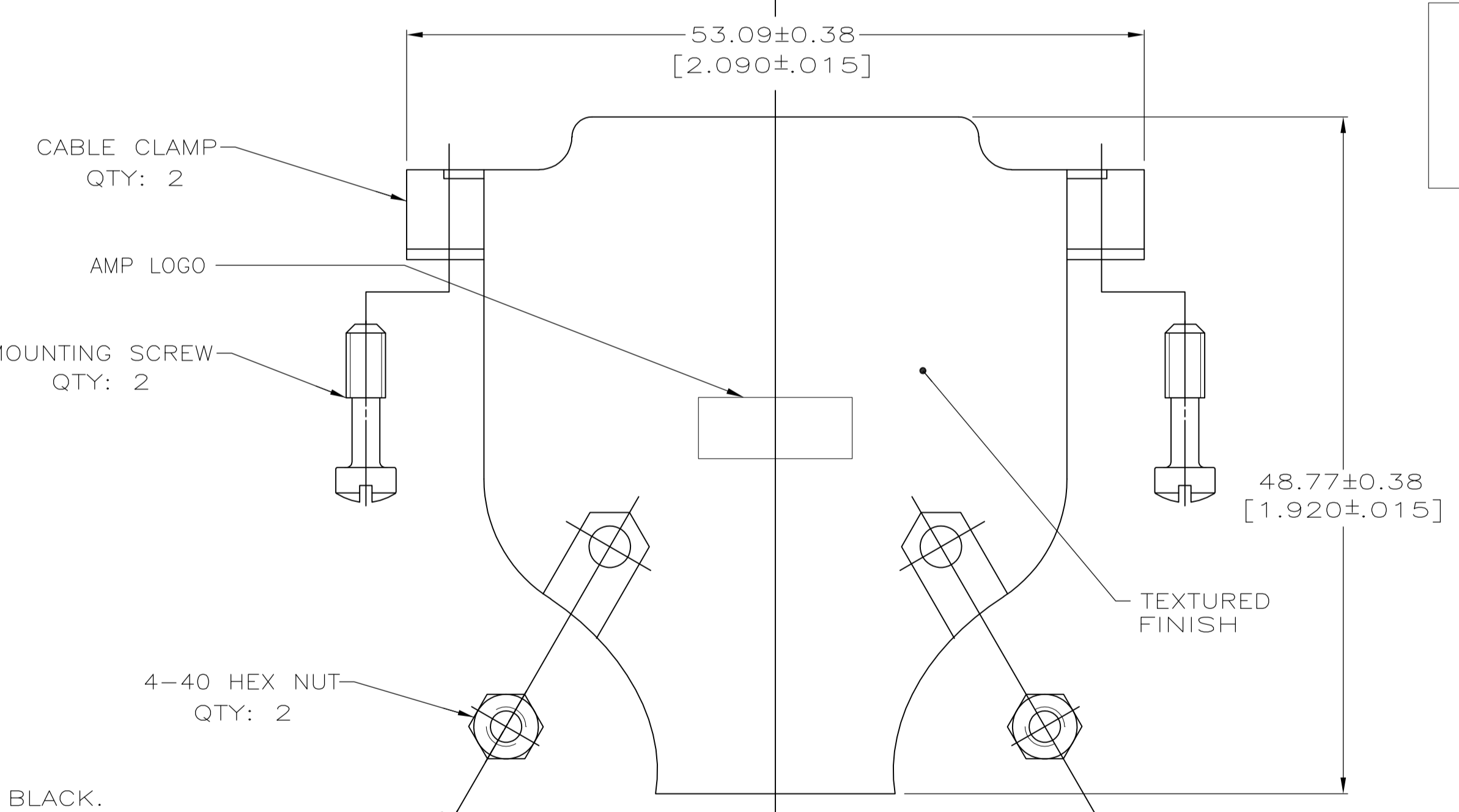
10.97 MAX [.432]

0.76±0.25 [.030±.010]

REAR SHELL

REAR INSERT

AMP, PART NO & DATE CODE, MARKED IN AREA INDICATED, ON FAR SIDE



CABLE CLAMP QTY: 2

AMP LOGO

4-40 MOUNTING SCREW QTY: 2

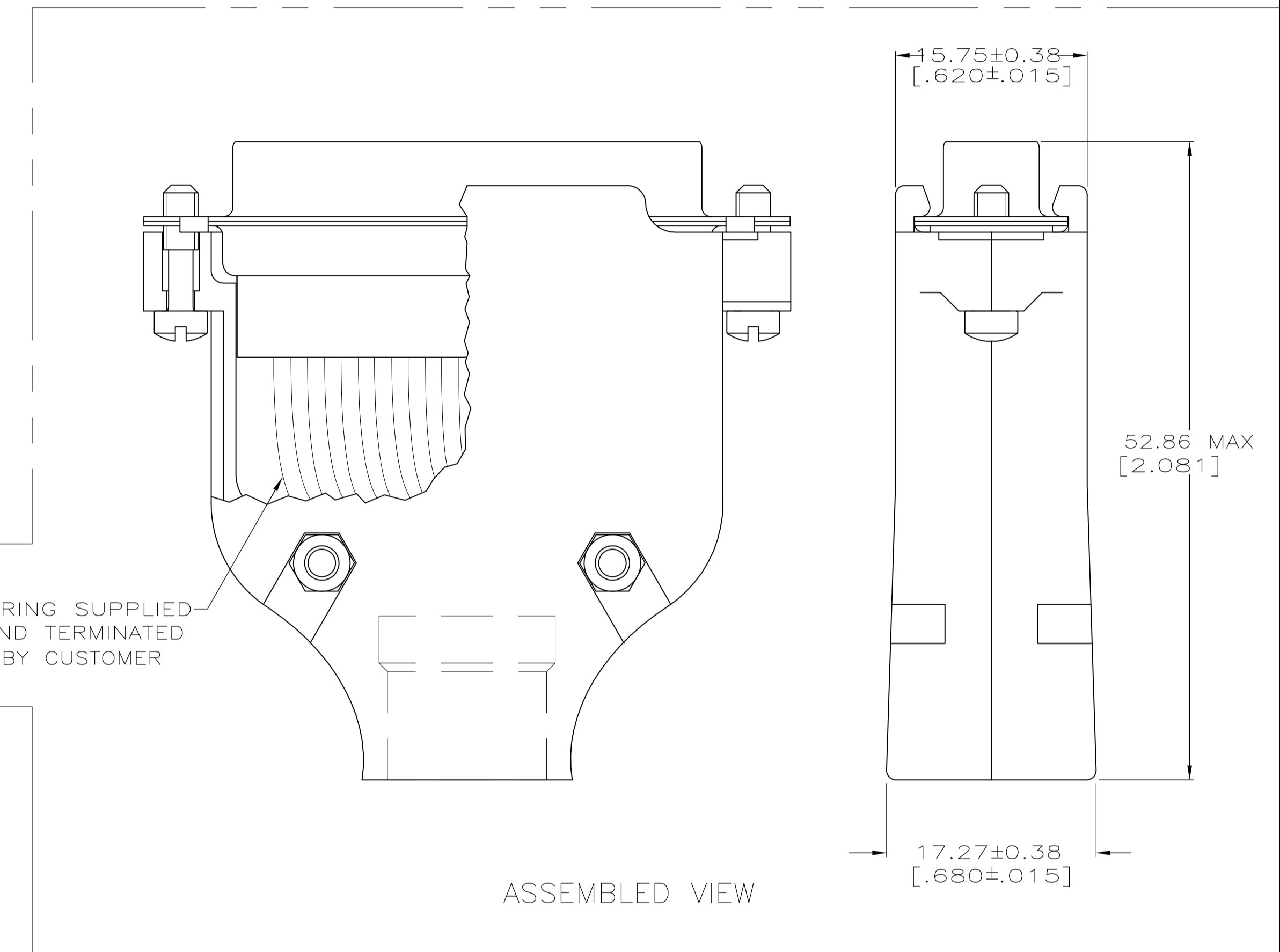
4-40 HEX NUT QTY: 2

48.77±0.38 [1.920±.015]

TEXTURED FINISH

4-40 FILISTER HEAD SCREW QTY: 2

GROMMET FROM ASSORTMENT TO BE DETERMINED BY CABLE DIAMETER



ASSEMBLED VIEW

1. CONTACTS ACCEPT 24-20 AWG RANGE.
2. INSERTS: NYLON, GLASS FILLED, UL 94V-0 RATED, BLACK.
3. GROMMETS: PVC, UL 94V-0 RATED, BLACK.
4. CONTACTS: PHOSPHOR BRONZE.
5. SHELLS: CARBON STEEL.
6. CABLE CLAMPS: ZINC; SCREWS & NUTS: CARBON STEEL.
7. GOLD FLASH FOR A LENGTH OF 2.54[.100] MIN FROM MATING END, 2.54µm[.000100] MIN TIN ON OPPOSITE END FOR A LENGTH OF 4.06 [.160] MIN FROM END OF INSULATION BARREL, BOTH OVER 0.76µm[.000030] MIN NICKEL ON ENTIRE CONTACT.
8. 5.08µm[.000200] MIN TIN OVER 2.54µm[.000100] MIN COPPER.
9. MOUNTING SCREWS & NUTS: 3.81µm[.000150] MIN ZINC, CLEAR CHROMATE COATED. FILISTER HEAD SCREWS: ZINC, CLEAR CHROMATE COATED.
10. CABLE CLAMPS: NICKEL OVER COPPER.

749806-9
PART NO

THIS DRAWING IS A CONTROLLED DOCUMENT.		DIN	J. REITZEL	1AUG03	Tyco Electronics Corporation Harrisburg, PA 17105-3608
DIMENSIONS: mm [INCHES]		CHK	S. BOLASH	1AUG03	
TOLERANCES UNLESS OTHERWISE SPECIFIED:		APPD	M. WAMSLEY	1AUG03	RECEPTACLE KIT, UNASSEMBLED, SIZE 3, 25 POSN, METAL SHELL, AMPLIMITE, HDP-20
0. PLC ± -		PRODUCT SPEC	108-40005		
1. PLC ± -		APPLICATION SPEC	114-40030		
2. PLC ± 0.13[.005]		SIZE	A1		
3. PLC ± -		WEIGHT	00779		
4. PLC ± -		SCALE	2:1		
ANGLES ± -		SHEET	1 OF 1		
MATERIAL		FINISH	749806-9		
CUSTOMER DRAWING		REV	B		