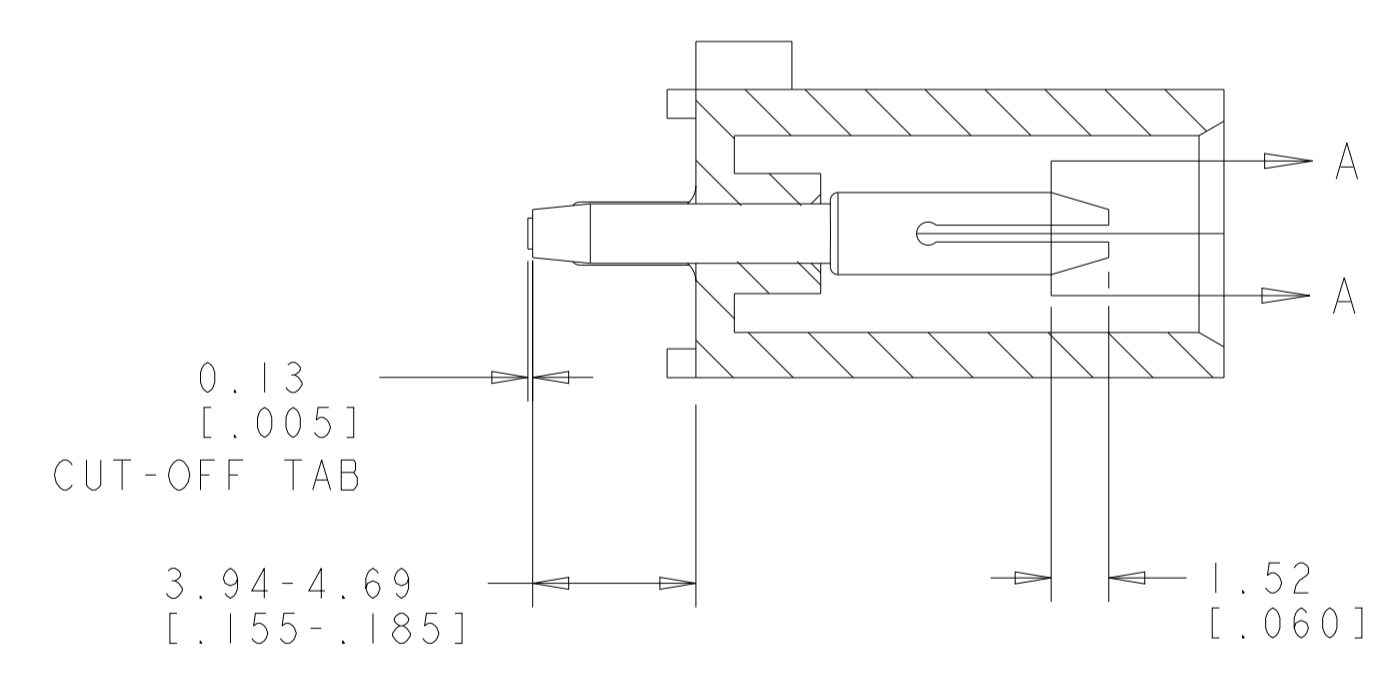
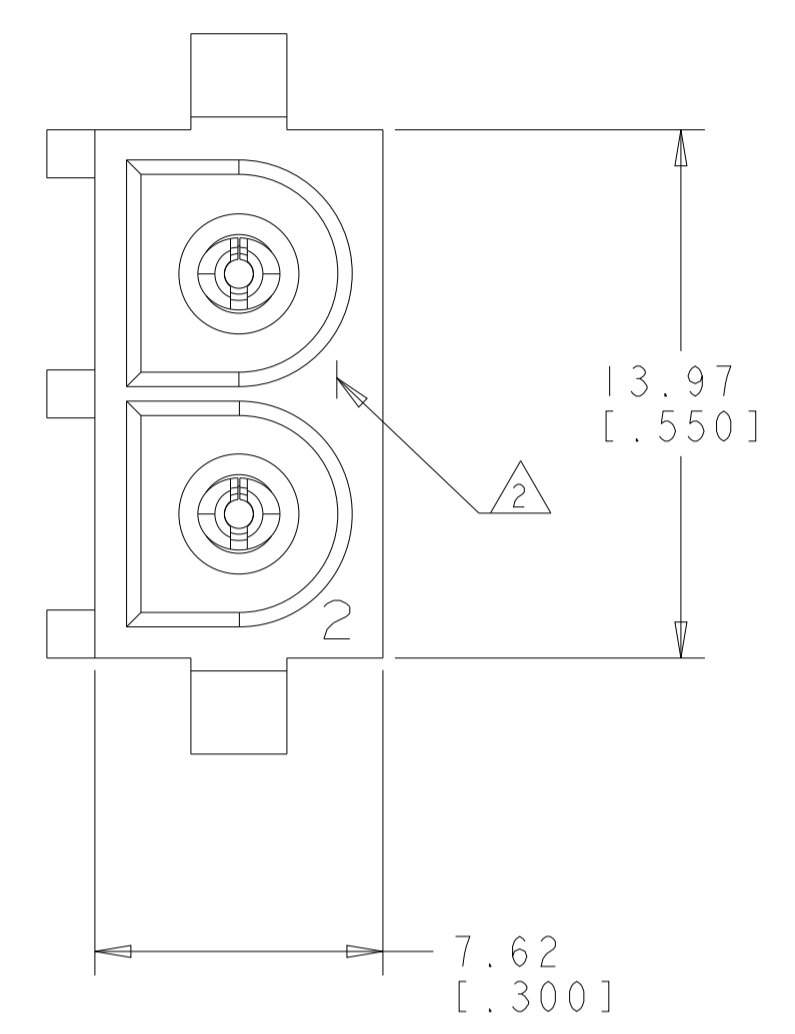
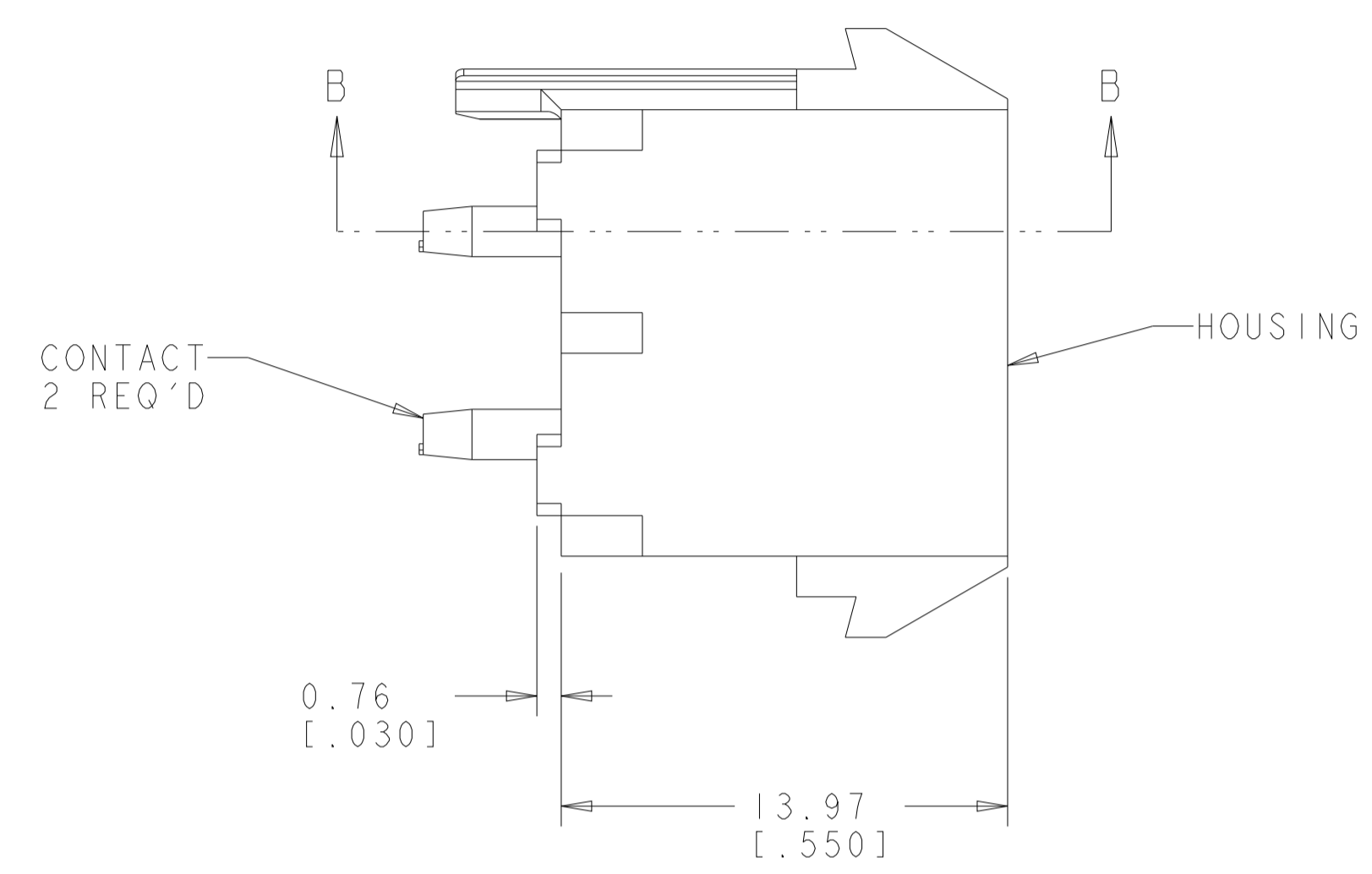
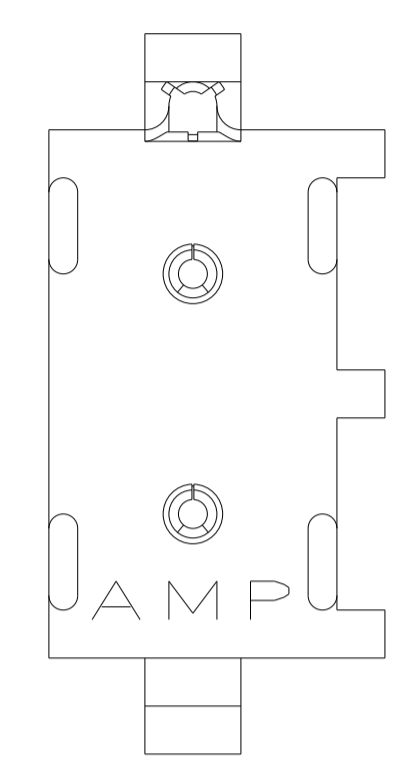
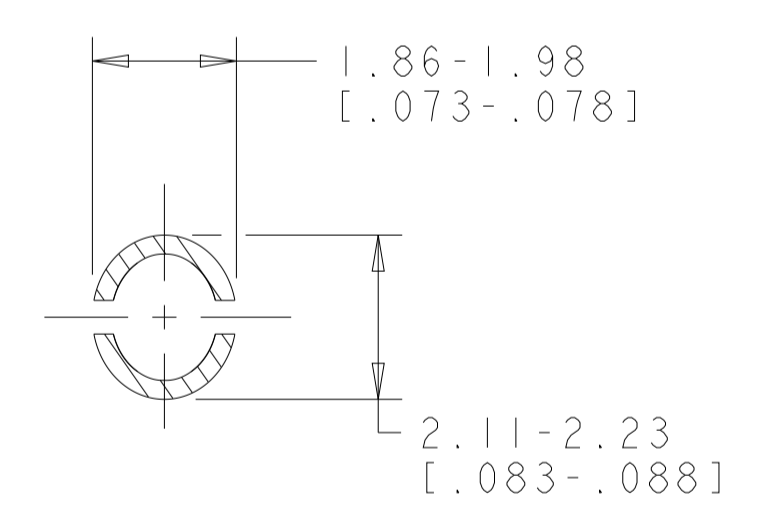


REVISIONS				
P	LTN	DESCRIPTION	DATE	APVD
0		RELEASED PER 0G3B-0007-03	29JAN2003	KW SR
A		RELEASED PER ECR-21-117154	02AUG2022	SM VS

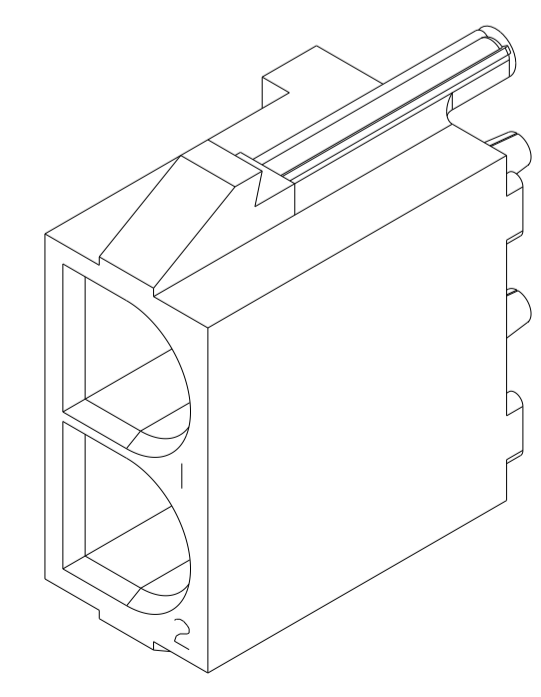
- PARTS COMPLY TO AMP SOLDERABILITY SPECIFICATION 109-11-3.
- CIRCUIT IDENTIFICATION CHARACTERS ARE ADJACENT TO THE INDICATED CAVITIES, BUT LOCATION AND ORIENTATION MAY DIFFER FROM PRINT.
- DIMENSIONS IN BRACKETS ARE IN INCHES.
- DIMENSIONS SHOWN REPRESENT PRODUCT IN DRY CONDITION. ADDITIONAL 2% GROWTH DUE TO END USE LOCATION MOISTURE ABSORPTION MAY OCCUR AND SHOULD BE ACCOUNTED FOR.



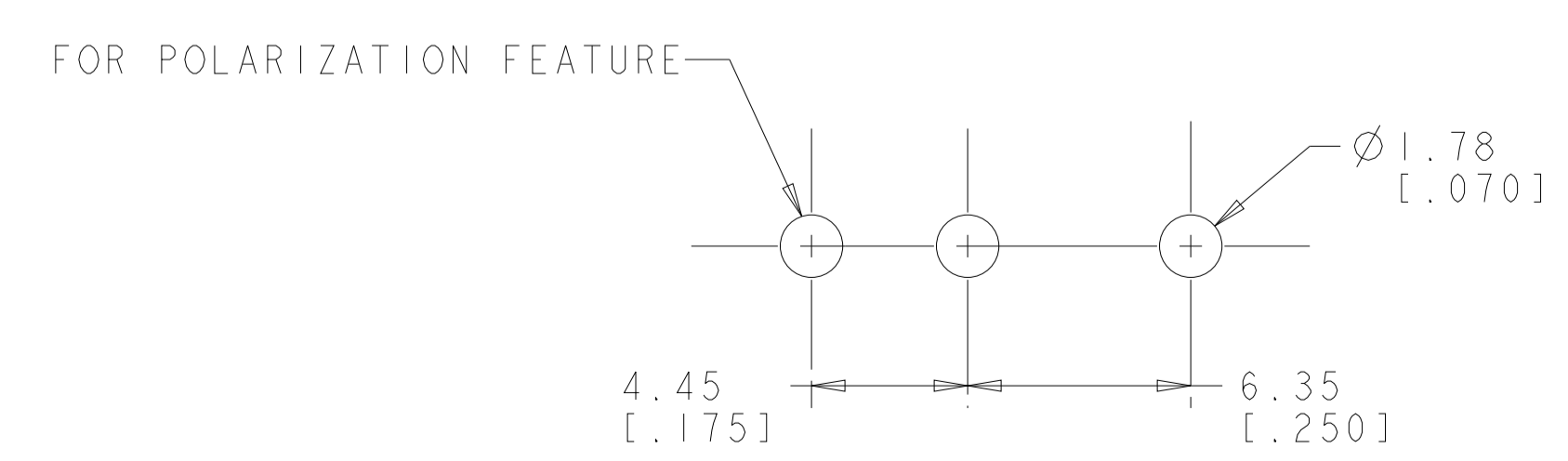
SECTION B-B



SECTION A-A
SCALE 10:1

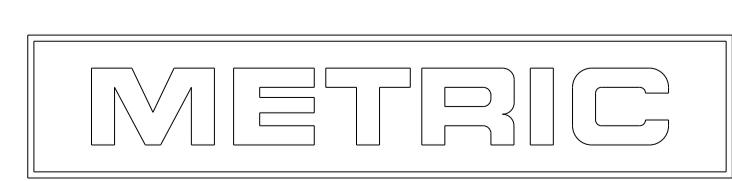


3 DIMENSIONAL VIEW
SCALE 4:1



RECOMMENDED MOUNTING HOLE PATTERN
FOR 1.57 [.062] THICK P.C. BOARD

PHOSPOR BRONZE, PRE-TIN PIN CONTACT MATERIAL AND FINISH	NYLON, UL94V-0, WHITE HOUSING MATERIAL AND COLOR	794876-1 PART NUMBER
--	---	-------------------------



THIS DRAWING IS A CONTROLLED DOCUMENT.		DWN K. WHITAKER 22NOV2000	TE Connectivity
DIMENSIONS: mm [INCHES]		CHK S. RIDGILL 22NOV2000	
TOLERANCES UNLESS OTHERWISE SPECIFIED:		APVD S. RIDGILL 22NOV2000	NAME PIN HEADER ASSEMBLY, POLARIZED, 2 CIRCUIT, UNIVERSAL MATE-N-LOK
0 PLC ±	1 PLC ±	PRODUCT SPEC	APPLICATION SPEC
2 PLC ±0.13(.005)	3 PLC ±	APPLIC. SPEC	RESTRICTED TO
4 PLC ±	ANGLES ±	WEIGHT	SIZE CAGE CODE DRAWING NO
FINISH ±	±0°30'	CUSTOMER DRAWING	A 00779 794876
MATERIAL SEE TABLE	SEE TABLE	SCALE 5:1	SHEET 1 OF 1 REV A