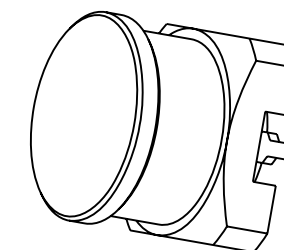


NOTES:

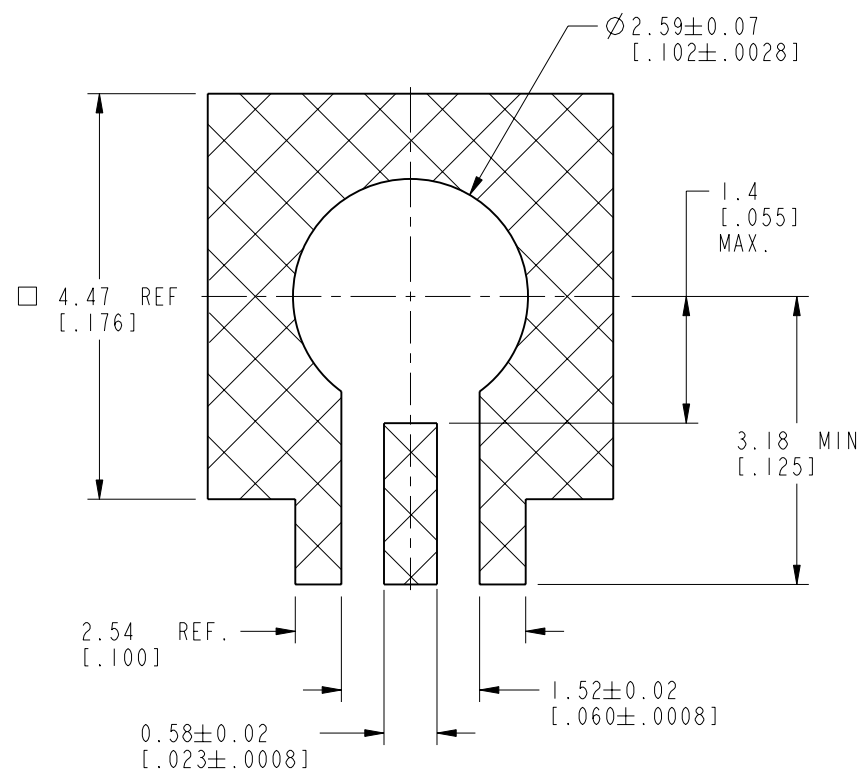
1. MATERIALS AND FINISHES:  
 BODY - BRASS, GOLD PLATING  
 CONTACT - BRASS, GOLD PLATING  
 INSULATOR - LCP, NATURAL  
 CAP - PTFE, NATURAL
2. ELECTRICAL:  
 A. IMPEDANCE: 50 OHM  
 B. FREQUENCY RANGE: DC-10 GHz  
 C. CONNECTOR ONLY VSWR: 1.15 MAX. AT DC-10 GHz  
 RESULTS WILL VARY BASED ON BOARD CONFIGURATION.  
 D. DIELECTRIC WITHSTANDING VOLTAGE: 500 VRMS, MIN.  
 E. INSULATION RESISTANCE: 1,000 MEGOHMS MIN.
3. MECHANICAL:  
 A. DURABILITY: 100 CYCLES MIN.  
 B. TEMPERATURE RANGE: -65°C TO +165°C
4. PACKAGING:  
 A. QUANTITY: TAPE & REEL PACKED, 1000 PCS/REEL  
 B. MARKING: PACKAGING TO BE MARKED  
 "AMPHENOL RF, 925-204J-5IPT, DATE CODE"

THIRD ANGLE PROJ.

REVISIONS				
REV	DESCRIPTION	DATE	ECN	APPR
A	RELEASE TO MFG.	13-Sep-19	12922	EH

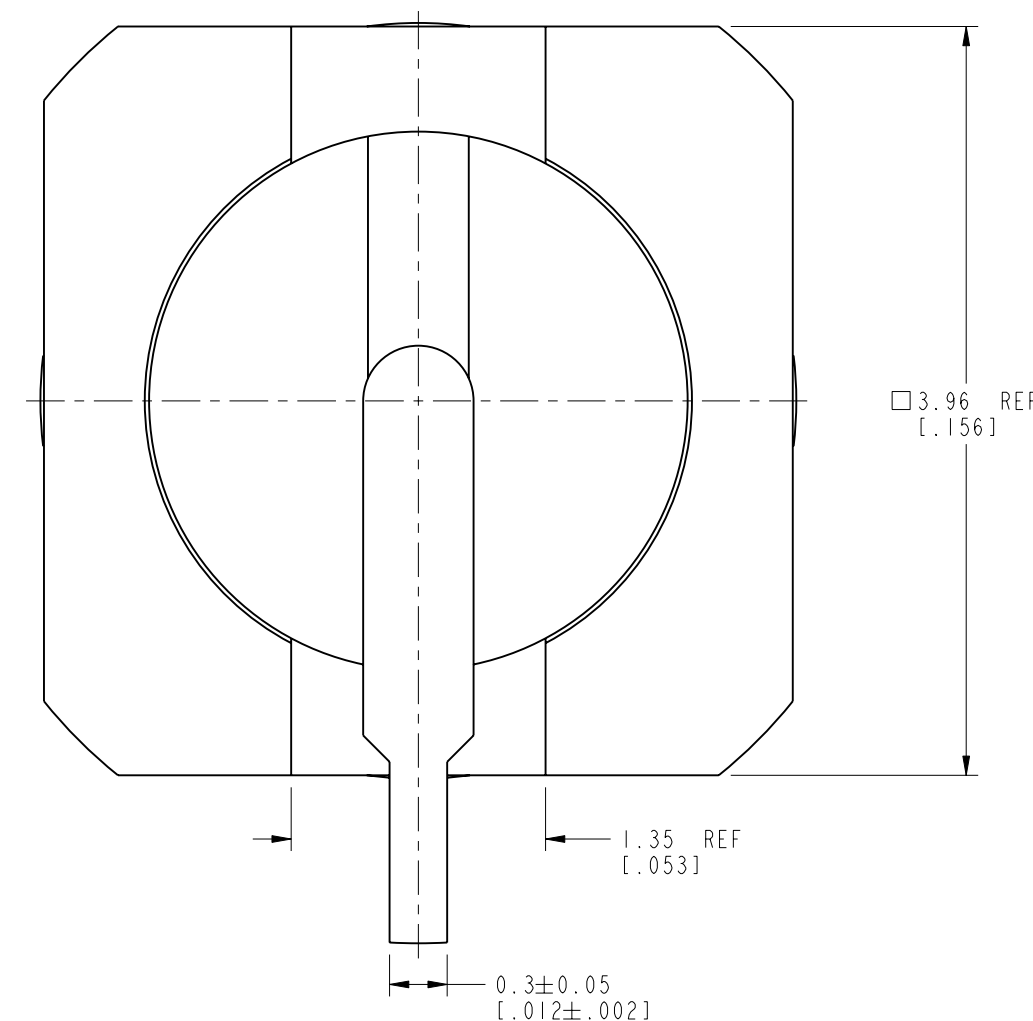
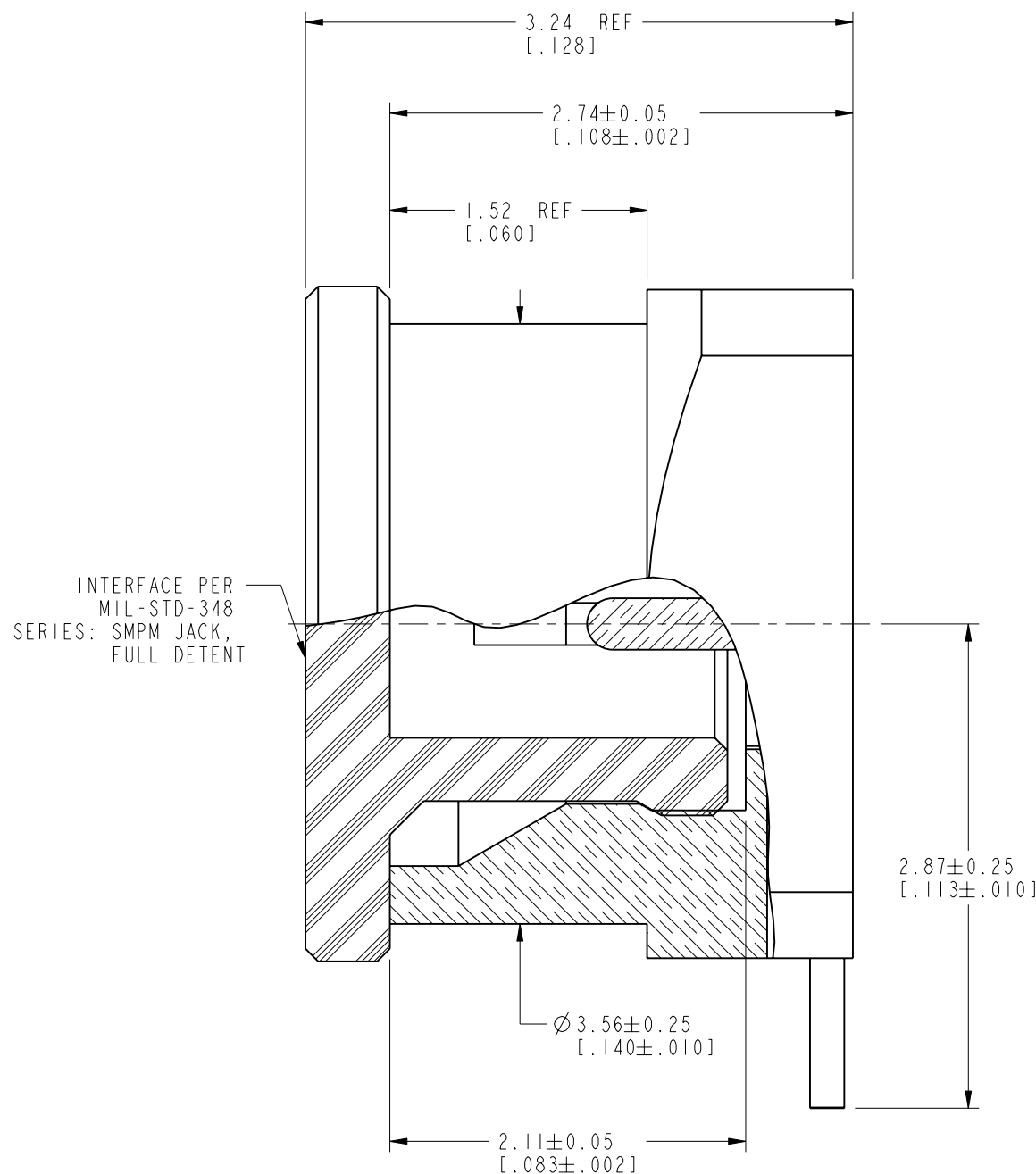


SCALE 7.000



RECOMMENDED PCB LAYOUT

DESIGNED FOR USE WITH 0.25MM [0.010"] THICK ROGERS 4350 PCB MATERIAL. THESE DIMENSIONS MAY VARY DEPENDING ON PCB MATERIAL USED.

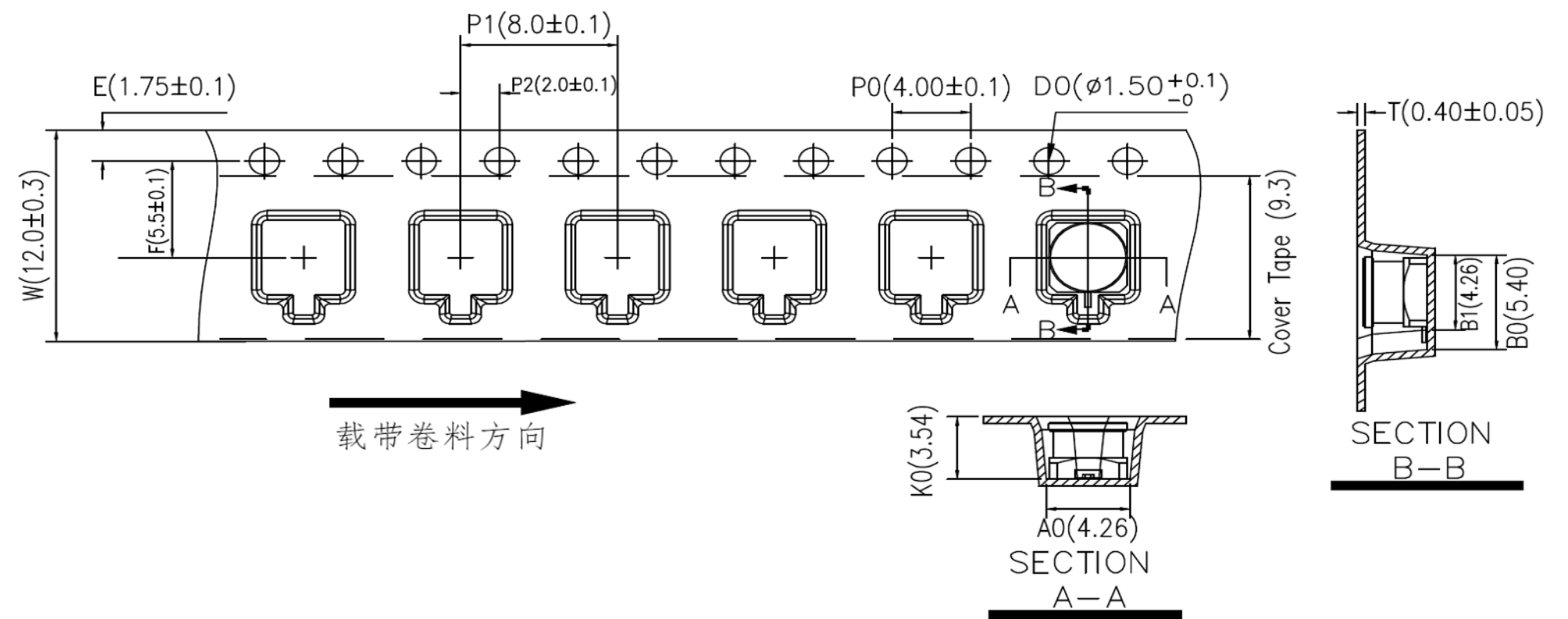
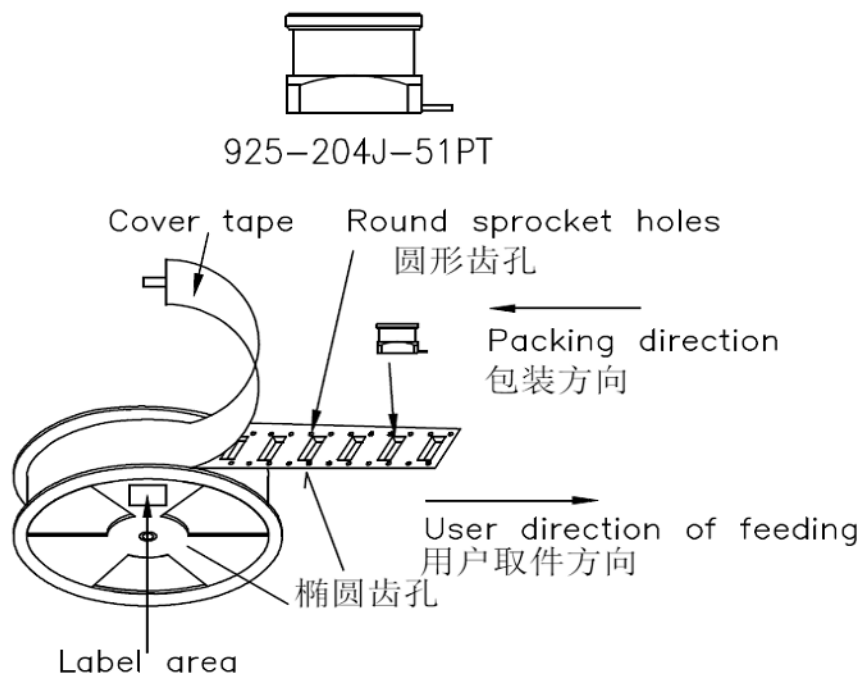


**CUSTOMER OUTLINE DRAWING**

ALL OTHER SHEETS ARE FOR INTERNAL USE ONLY

UNLESS OTHERWISE SPECIFIED, DIMENSIONS ARE IN METRIC AND TOLERANCES ARE: <0.5mm ± 0.05mm    0.5 - 6mm ± 0.1mm    6 - 30mm ± 0.2mm    30 - 120mm ± 0.3mm    ANGLES ±1°	MATERIAL NOTE 1	DRAWN W. ZENG	DATE 24-Sep-19	TITLE SMPM STR JACK, FULL DETENT, SURFACE MOUNT (TAPE & REEL) SCALE: 25.0:1.0 SHEET 2 OF 3	Amphenol RF www.amphenolrf.com
	REFERENCE EAR# 8985 REF: ---	ENGINEER S. DUAN	DATE 24-Sep-19		
NOTICE - These drawings, specifications, or other data (1) are, and remain the property of Amphenol corp. (2) must be returned upon request; and (3) are confidential and not to be disclosed to any person other than those to whom they are given by Amphenol Corp. the furnishing of these drawings, specifications, or other data by Amphenol Corp., or to any other person to anyone for any purpose is not to be regarded by implication or otherwise in any manner licensing, granting rights to permitting such holder or any other person to manufacture, use or sell any product, process or design, patented or otherwise, that may in any way be related to or disclosed by said drawings, specifications, or other data.	CONFIGURATION LEVEL: In Work	APPROVED S. HSIEH	DATE 24-Sep-19	DWG SIZE B	REV A
	FINISH	CAD FILE			DRAWING NO. 925-204J-5IPT
					PART NO. 925-204J-5IPT

REV	DESCRIPTION	DATE	ECN	APPR
A	PROTOTYPE RELEASE	24-May-19	12922	EH



TAPE&REEL示意图

- Notes:**
1. 10 sprocket hole pitch cumulative tolerance  $\pm 0.20\text{mm}$   
(每10个链轮齿孔直径累计公差为 $\pm 0.2\text{mm}$ )
  2. Carrier camber not to exceed 1mm in 250mm.  
(传送料带弯曲变形每250MM不超过1MM)
  3.  $A_0$  and  $B_0$  measured on a plane 0.3mm above the bottom of the pocket. ( $A_0$ 与 $B_0$ 在同一平面测量且距口袋底部0.3MM)
  4.  $K_0$  measured from a plane on the inside bottom of the pocket to the top surface of the carrier.  
( $K_0$ 为口袋底部与材料表面的平面距离。)
  5. All dimensions meet EIA-481-D requirements.  
(所有尺寸符合EIA-481-D标准要求。)
  6. Material: Black Antistatic polystyrene.  
(材料: 黑色聚苯乙烯。)
  7. Thickness:  $0.40 \pm 0.05 \text{ mm}$ .  
(厚度:  $0.40 \pm 0.05$ 毫米。)
  8. Packing length per 13" reel : 8.64Meters.  
(每个13"卷轴包装长度8.64米。)
  9. Component loader per 13" reel : 1000pcs.  
(每个13"卷轴可装1000个零件。)

**技术要求:**  
在没有保护膜的情况下, 0-90度往返折弯3次, 卷带不会破裂; 冷封带0.3~1.3N;  
厚度及防静电要求需满足要求, 防静电性能使用寿命至少大于半年。载带侧壁支撑力2kgf以上。

客户需求只包1000个数量, 与  
925-131J-51S共用模具, 只需绕半卷更改数量

包装信息	
卷盘	330mmx16mm
卷盘信息	宝蓝连体盘
上封带	13.3MM
每盘格数	1000pcs+前后各空40pcs
生产模具信息	
间距	8mm
模具穴数	12穴
成型模数	90模
每盘长度	8.64M

ITEM	W	$A_0$	$B_0$	$K_0$	$K_1$	$P_1$	F	E	$D_0$	$D_1$	$P_0$	$P_2$	T
DIM	$12 \pm 0.3$	$4.26 \pm 0.1$	$5.4 \pm 0.1$	$3.54 \pm 0.1$		$8.0 \pm 0.1$	$7.5 \pm 0.1$	$1.75 \pm 0.1$	$1.5^{+0.1/-0.00}$		$4.0 \pm 0.1$	$2.0 \pm 0.1$	$0.4 \pm 0.05$

**CUSTOMER OUTLINE DRAWING**  
ALL OTHER SHEETS ARE FOR INTERNAL USE ONLY

UNLESS OTHERWISE SPECIFIED, DIMENSIONS ARE IN METRIC AND TOLERANCES ARE: <0.5mm ±0.05mm    0.5 - 6mm ±0.1mm    6 - 30mm ±0.2mm    30 - 120mm ±0.3mm    ANGLES ±1°	MATERIAL NOTE 1	DRAWN W. ZENG	DATE 24-Sep-19	TITLE SMPM STR JACK, FULL DETENT, SURFACE MOUNT (TAPE & REEL) SCALE: 25.0:1.0 SHEET 3 OF 3 DWG SIZE B    REV A	Amphenol RF www.amphenolrf.com DRAWING NO. 925-204J-5IPT ITEM NO. 925-204J-5IPT PART NO. 925-204J-5IPT
	REFERENCE EAR# 8985 REF: ---	ENGINEER S. DUAN	DATE 24-Sep-19		
	CONFIGURATION LEVEL: In Work	APPROVED S. HSIEH	DATE 24-Sep-19		
	FINISH	CAD FILE			

NOTICE - These drawings, specifications, or other data (1) are, and remain the property of Amphenol corp. (2) must be returned upon request; and (3) are confidential and not to be disclosed to any person other than those to whom they are given by Amphenol Corp. the furnishing of these drawings, specifications, or other data by Amphenol Corp., or to any other person to anyone for any purpose is not to be regarded by implication or otherwise in any manner licensing, granting rights to permitting such holder or any other person to manufacture, use or sell any product, process or design, patented or otherwise, that may in any way be related to or disclosed by said drawings, specifications, or other data.