
Product Change Notification (PCN)

Issue Date: **7/18/2018**
Modification/Revision Date: **7/18/2018**

USB B Type Hoods

Change Notification: **PCN-US-20180704 USB B Type Hoods**

Description of changes

1. **Change of specifications**
 - a. **Change of material (see page 2)**
 - b. **Drawing updated to Rev01 (see page 3 and 4)**
 - c. **Design improvement: improved latch engagement and retention**
2. **Change of tooling**

Date of change and Implementation: **7/18/2018**

Products Affected: **A-USBPB-HOOD-R
A-USBPB-HOOD-BLK-R**

Reason for Change: **Change of specification**

Response: **No response to this notification is required.**

Product Change Notification (PCN)

Old Version

Notes: ^①
Material: PVC UL94V-0

New Version

Notes: ^①
Material: ABS UL94V-0

^①: Change of material from PVC to ABS

1

2

3

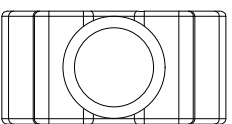
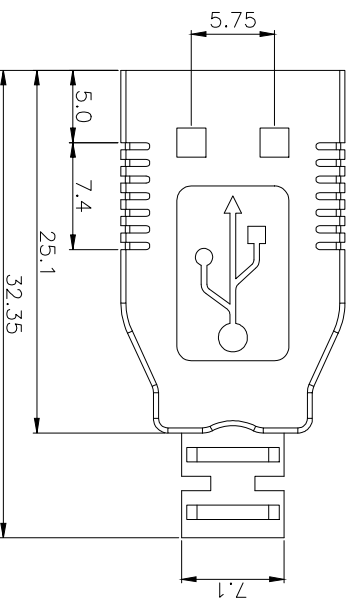
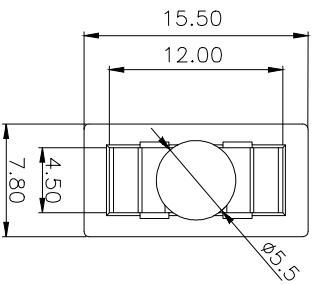
4

5

6

7

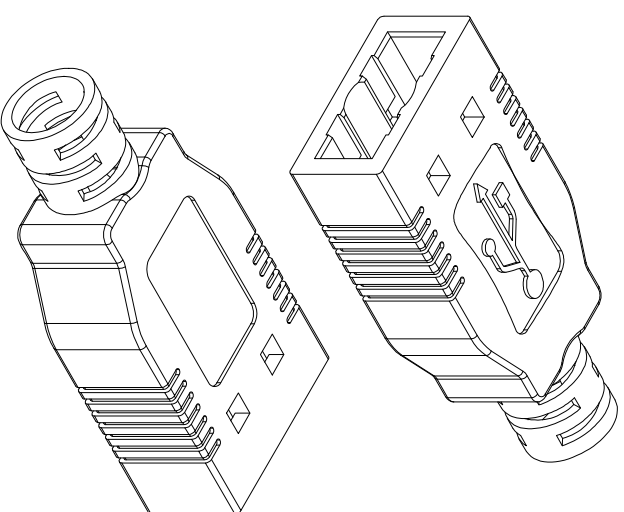
A



① Notes:

Material: ABS UL94V-0 Color: Beige
 Burr: 0.05mm max. on contact area
 Environmental:

1. Operating temperature range: -20°C to +60°C (Without loss function)
2. storage temperature range: -20°C to +60°C (Without loss function)



B

C

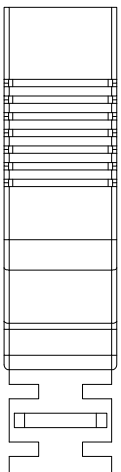
D

E

F

G

H



RoHS compliant
 Unit: mm

Scale	Free									
TOLERANCE										
X.X	±0.35				Drawn	18.02.2016	Amy			
X.XX	±0.25				Approved	18.07.2018	Winnie			
X.XXX	±0.15									
DIM TOL										
①	Update					18.07.2018	Xavier			
②	Drawn					18.02.2016	Amy			
					Modification					
					Id.					

1

2

3

4

5

6

7

Customer-No.

ASSMANN WSW-No.

A-USBPA-HOOD-R

Drawing-No.

ASS 7136 CO

rev01



Replace

Sheet

1

2

3

4

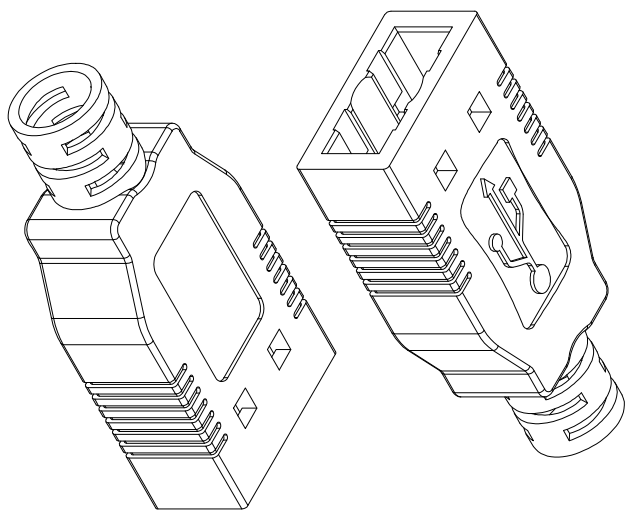
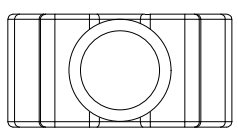
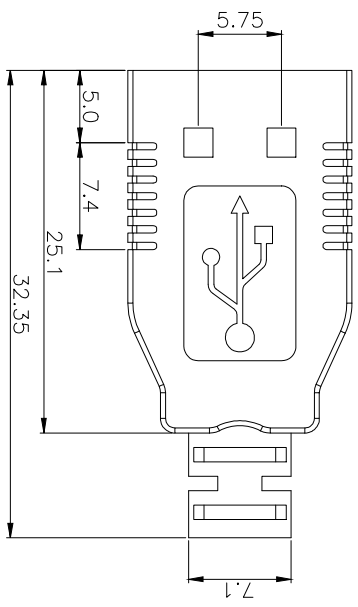
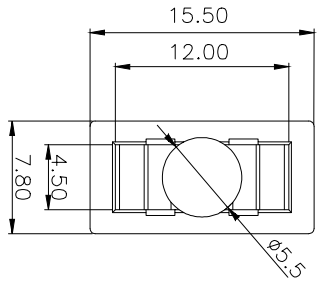
5

6

7

A

- ① Notes:
 Material: ABS UL94V-0 Color: Black
 Burr: 0.05mm max. on contact area
 Environmental:
 1. Operating temperature range: -20°C to +60°C
 (Without loss function)
 2. storage temperature range: -20°C to +60°C
 (Without loss function)



B

C

D

E

F

G

H

RoHS compliant
 Unit: mm

Scale	Free	Customer-No.	
TOLERANCE			
X.X	±0.35	Drawn	18.02.2016 Amy
X.XX	±0.25	Approved	18.07.2018 Wrinie
X.XXX	±0.15		
DIM	TOL		
①	Update	18.07.2018	Xavier
②	Drawn	18.02.2016	Amy
	Modification		
	Id.		

Date	Name	Customer-No.
18.02.2016	Amy	ASSMANN WSW-No.
18.07.2018	Wrinie	A-USBPA-HOOD-BLK-R

Drawing-No.	Replace	Sheet
ASS 7137 CO		rev01

1

2

3

4

5

6

7