

Attn.: _____

HIROSE ELECTRIC CO., LTD.
5-23, OSAKI 5-CHOME, SHINAGAWA-KU, TOKYO, JAPAN

Notice of Change of Packaging of GT Series Products and Request for Your Acknowledgement

Hirose would like to take this opportunity to thank you sincerely for your support, and we hope this letter finds you well and prosperous.

We are writing today to inform you that we will change packaging of some of the GT series products as described below.

We request that you kindly offer your consent to this matter.

1. Products Affected

Please refer to the attachment list.

2. Description of Change

Packaging will be changed as follows.

(1) Packing box size

We will change the package box from the big-size box (Type: K1 size 270×360×250) to the mid-size box (Type: K2 size 260×360×120). (See Figure-1)

(2) Number of products in a box

The number of products in a box will be reduced to half from the current number.

(3) Others

Partition boards will be inserted to empty space for the protection of products.

3. Reason for Change

Following the review and testing of product packaging in accordance with a part of the quality improvement initiatives in 2015, we identified damaged products.

In response to this review and testing result, we have decided to improve the current packaging to prevent products from damage during transport and handling of products.

3.1. Description of Packaging Review

We sampled and reviewed packaging of 65 molded goods that are sold as a separate part.

3.2 Testing Condition

Based on JIS Z 0200: Packaging - Complete, filled transport packages - General rules for the compilation of performance test schedules, we conducted free fall drop-testing from the height of 800mm for 10 directions.

3.3 Test Result

Following the evaluation of the drop-testing, we identified damages on products that are packed in a PTB packaging bag if the unit weight of packed product is heavier than 2g or more and such products are packed in a big-size box and the gross weight of a package exceeds 5kg.

However, damages were limited to appearance defects (scratches, deformation) and no functional defects were found.

We conducted the same testing with improved packages that were modified according to the description of Section 2 above. No damage on products was found on the result of the test.

In conclusion, we have decided to improve packaging of 25 products that are packed in a PBT packaging bag. The affected products are of the unit weight of 2g or more and are packed in a big-size box with the gross weight of a package of 5kg or more.

4. Schedule of Implementation of Change

Change will be made on products produced from May 1, 2016 onward.

5. Confirmation of Your Acknowledgement

We kindly request that you let a Hirose account representative know you acknowledge this matter by the end of April 2016.

If you should have any questions, please feel free to contact a Hirose account representative.

Your understand and cooperation is highly appreciated.

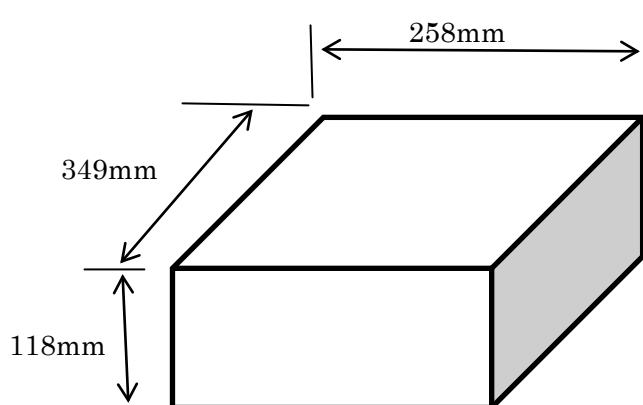


Figure-1 Appearance and the box dimension after improvement

Packaging improvement affected products list

No.	CL code	Product Name	Current Box Size	Current Box Contents	Box Size After Improvement	Box Contents After Improvement
1	CL755-0027-2 00	GT5W-1S-HU	K1	2,000	K2	1,000
2	CL755-0090-9 00	GT5N-1PP-HU	K1	2,000	K2	1,000
3	CL755-0093-7 10	GT5H-1PP-HU(10)	K1	2,000	K2	1,000
4	CL757-0009-3 00	GT7-26DS-HU	K1	800	K2	400
5	CL763-0016-0 00	GT13SC-2/1S-HU	K1	3,000	K2	1,500
6	CL763-0021-0 00	GT13SC-4/1S-HU	K1	2,000	K2	1,000
7	CL763-0036-8 00	GT13SCN-1/1PP-HU	K1	3,000	K2	1,500
8	CL763-0038-3 00	GT13SCN-2/1PP-HU	K1	2,000	K2	1,000
9	CL763-0055-2 00	GT13SH-1/1PP-HU	K1	2,000	K2	1,000
10	CL763-0076-2 00	GT13SH-2/1PP-HU	K1	2,000	K2	1,000
11	CL763-0088-1 22	GT13GM-1/1PP-HU(22)	K1	2,000	K2	1,000
12	CL763-0090-3 22	GT13G-1/1S-HU(22)	K1	4,000	K2	2,000
13	CL763-0092-9 00	GT13SSN-1/1PP-HU	K1	3,000	K2	1,500
14	CL763-0092-9 21	GT13SSN-1/1PP-HU(21)	K1	3,000	K2	1,500
15	CL763-0112-4 00	GT13/5N-2/1PP-HU	K1	1,000	K2	500
16	CL766-0029-1 00	GT16C-1PP-HU	K1	4,000	K2	2,000
17	CL766-0065-5 00	GT16C-1PP-HU(B)	K1	4,000	K2	2,000
18	CL766-0077-4 00	GT16GW-1P-HU	K1	2,000	K2	1,000
19	CL766-0095-6 00	GT16CN-2PP-HU	K1	2,000	K2	1,000
20	CL766-0096-9 00	GT16CN-2PP-HU(A)	K1	2,000	K2	1,000
21	CL767-0029-8 00	GT17V-6DS-HU	K1	2,000	K2	1,000
22	CL767-0030-7 00	GT17VA-6DS-HU	K1	2,000	K2	1,000
23	CL767-0051-7 00	GT17VS-6DS-HU	K1	2,000	K2	1,000
24	CL767-0164-3 00	GT17HNS-16DS-HU	K1	2,000	K2	1,000
25	CL771-0060-7 00	GT21N-2/1PP-HU	K1	2,000	K2	1,000

Acknowledgment

(Customer -> Hirose Electric business representative)

**Notice of Change of Packaging of GT Series Products
and Request for Your Acknowledgement**

We acknowledge the aforementioned matter.

●Customer's name: _____

●Acknowledgment stamp (or signature): _____

HIROSE ELECTRIC CO., LTD.

_____ (Cut on this line) _____

Document Receipt

(Customer -> Hirose Electric business representative)

**Notice of Change of Packaging of GT Series Products
and Request for Your Acknowledgement**

We received the document concerning the above.

●Customer's name: _____

●Acknowledgment stamp (or signature): _____

HIROSE ELECTRIC CO., LTD.