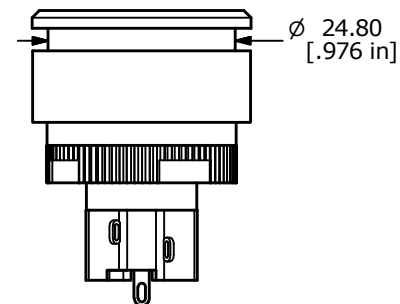
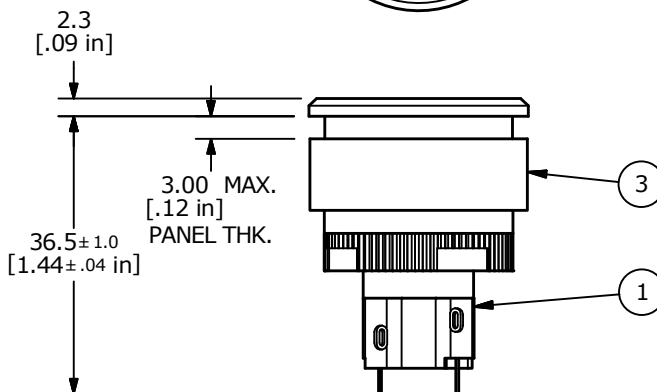
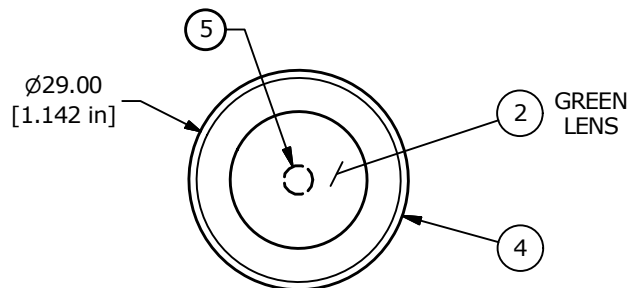
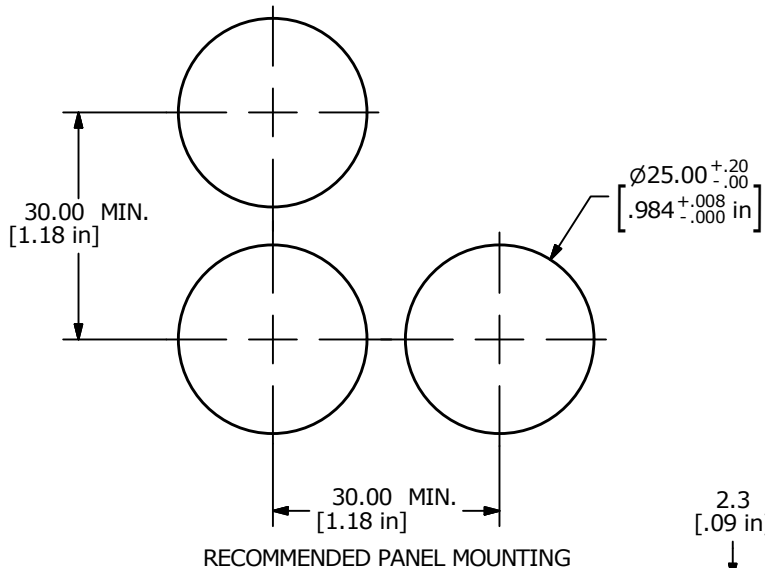


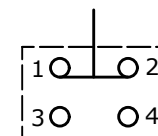
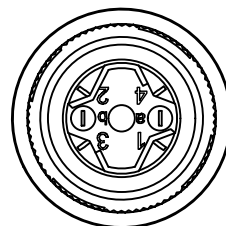
▲ Parts List

ITEM	QTY	PART NUMBER	DESCRIPTION
1	1	F060602	LASEEV11
2	1	F060202	25mm GREEN LENS
3	1	F051705	29mm FLUSH MOUNT RETAINER
4	1	F051704	29mm FLUSH MOUNT BEZEL
5	1	F050422	24 VDC GREEN LED



NOTES:

1. ALL DIMENSIONS IN MM [INCH].
2. GENERAL TOLERANCE: X.X = ± 0.4
X.XX = ± 0.25
3. TERM. NOS. FOR REF. ONLY.
4. RATING: 5A @250VAC
8A @125VAC
0.2A @250VDC
6A @24VDC
5. INSULATION: 1,000 MΩ MIN.
6. DIELECTRIC STRENGTH: 2000V FOR 1 MIN.
7. SEALED TO IP65.
8. TRAVEL: 3.0mm FULL TRAVEL, 2.0mm LATCH
9. ELECTRICAL LIFE: >50,000 CYCLES
10. OPERATING TEMP: -25C to +55C
11. PANEL THICKNESS: 0.5mm to 3.0mm
- ▲ 12. LAMP VOLTAGE: LED 24V DC GREEN
13. ▲ DENOTES CRITICAL PARAMETER.
14. PACKAGE: BOX/20 PCS PER.



a ○ — ○ — b (+)

▲ SPDT
CONTACT CONFIGURATION



B	23586	update Bezel dia. to 29.00mm	10/2/18	MW
A	18121	RELEASE FOR PRODUCTION	6/4/08	BLR
REV	PCR NO	DESCRIPTION	DATE	BY

TITLE LASEEV31KGRNGRN				
SCALE 1:1	DATE 6/4/2008	DR BLR	DWG XF0751P	REV B