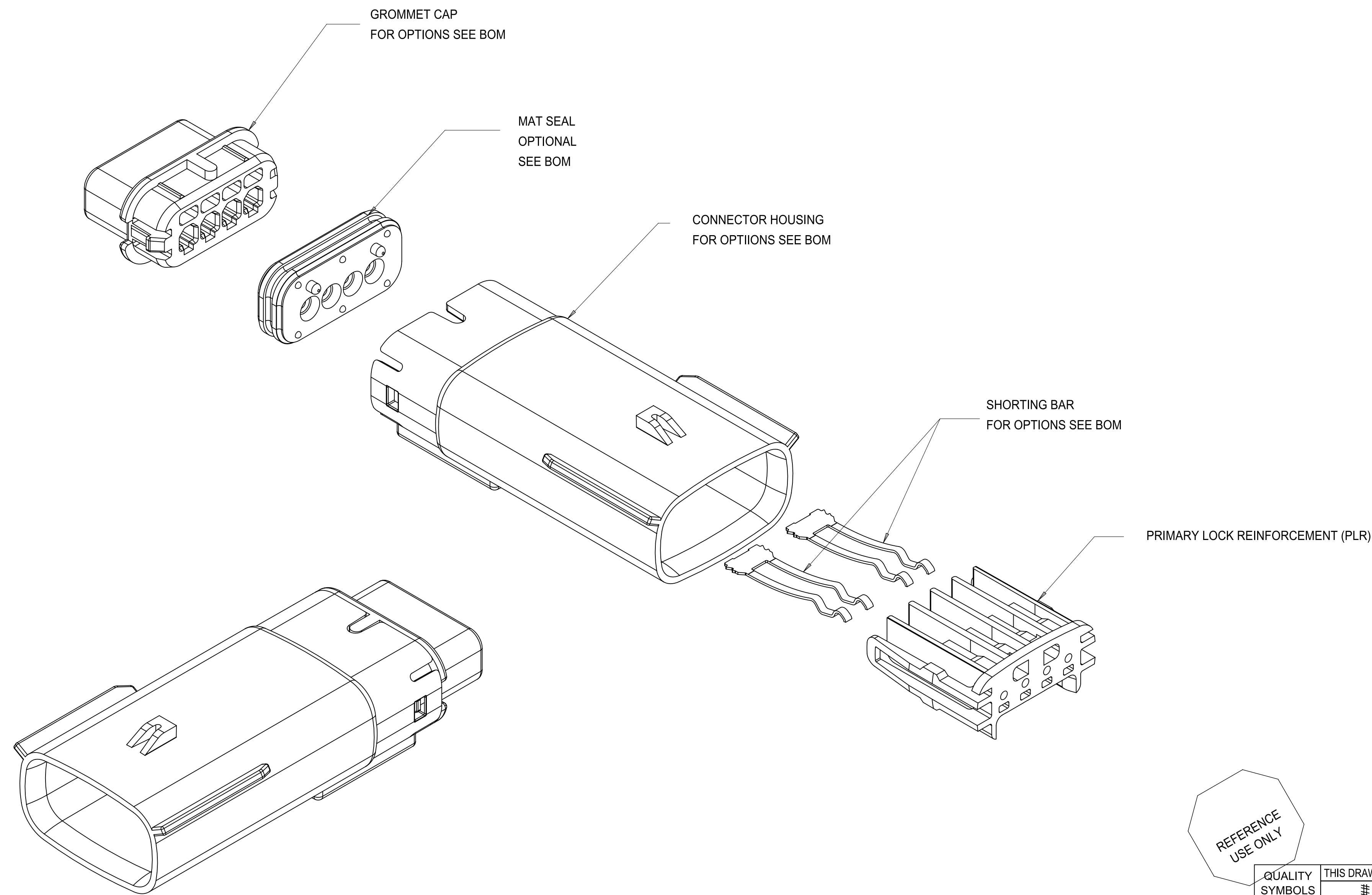


TABLE OF CONTENTS	
SHEET NO.	SHEET DESCRIPTION
1	NOTES
2	KEY CONFIGURATIONS
3	BLADE SEALED ASSEMBLY
4	SYSTEM PACKAGING
5	BOM



NOTES: VALID UNLESS OTHERWISE SPECIFIED

1. GENERAL:
- a. APPLICATION SPECIFICATION SEE: AS-33472-100
CONTAINS: PRODUCT INTRODUCTION, PRODUCT SUMMARY, CONNECTOR ASSEMBLY, PACKAGING INFORMATION, CONNECTOR MATING, SERVICE INSTRUCTIONS, ELECTRICAL CONTINUITY CHECKING, CRIMPING, AND TROUBLESHOOTING.
-DESIGNED TO MATE WITH RECEPTACLE SEALED ASSEMBLY SPECIFIED IN MOLEX DRAWING SD-33471-041. RECEPTACLE SEALED ASSEMBLY CONFIGURATION MUST CONTAIN A PLR WITH SHORTING BAR LIFTER.
-FOR 1.5mm BLADE TERMINALS TO BE USED WITH THE SHORTING BAR CIRCUIT LOCATIONS SEE MOLEX DRAWING SD-31296-001.
-SHORTING BAR TERMINALS TO BE USED WITH WIRE WITHIN DIAMETER RANGE OF 1.7mm TO 2.06mm.
-FOR 1.5mm BLADE TERMINALS TO BE USED WITH THE NON-SHORTING BAR CIRCUIT LOCATIONS SEE MOLEX DRAWING SD-33000-001.
-NON-SHORTING BAR TERMINALS TO BE USED WITH WIRE WITHIN DIAMETER RANGE OF 1.2mm TO 2.69mm.
-ASSEMBLY SHIPPED WITH PLR IN PRE-LOCK POSITION
-IN THE EVENT THAT THE PLR IS FOUND IN THE SEATED (FINAL LOCK) POSITION, REFER TO MOLEX SPECIFICATION PS-34646-001, AVAILABLE AT www.molex.com <http://www.molex.com>
-ASSEMBLY CONFORMS TO SAE/JSCAR-2 REV.4 WITH THE FOLLOWING EXCEPTIONS: TERMINAL INSERTION FORCE FOR WIRE DIAMETER ABOVE 2.5mm NOT EXCEEDING 2.69mm SHALL NOT EXCEED 45 NEWTONS.
 - b. PRODUCT SPECIFICATION SEE: PS-33471-000
CONTAINS: PRODUCT INTRODUCTION, PRODUCT SUMMARY, RATINGS (CURRENT, TEMPERATURE, SEALING, AND FLAMMABILITY), AND PRODUCT VALIDATION.
 - c. PACKAGING SPECIFICATION PER MOLEX DRAWING: PK-31300-635
 - d. PARTS MUST BE IN COMPLIANCE TO MOLEX CHEMICAL SUBSTANCES FOR PRODUCTS AND PACKAGING SPECIFICATION: ES-40000-5016
 - e. DATA MUST BE SUBMITTED UNDER THE MOLEX PART NUMBER TO IMDS (COMPANY ID#13255)
 - f. FOR INFORMATION ON 1X4 BLADE SEALED ASSEMBLY WITHOUT SHORTING BAR SEE SD-33481-041.

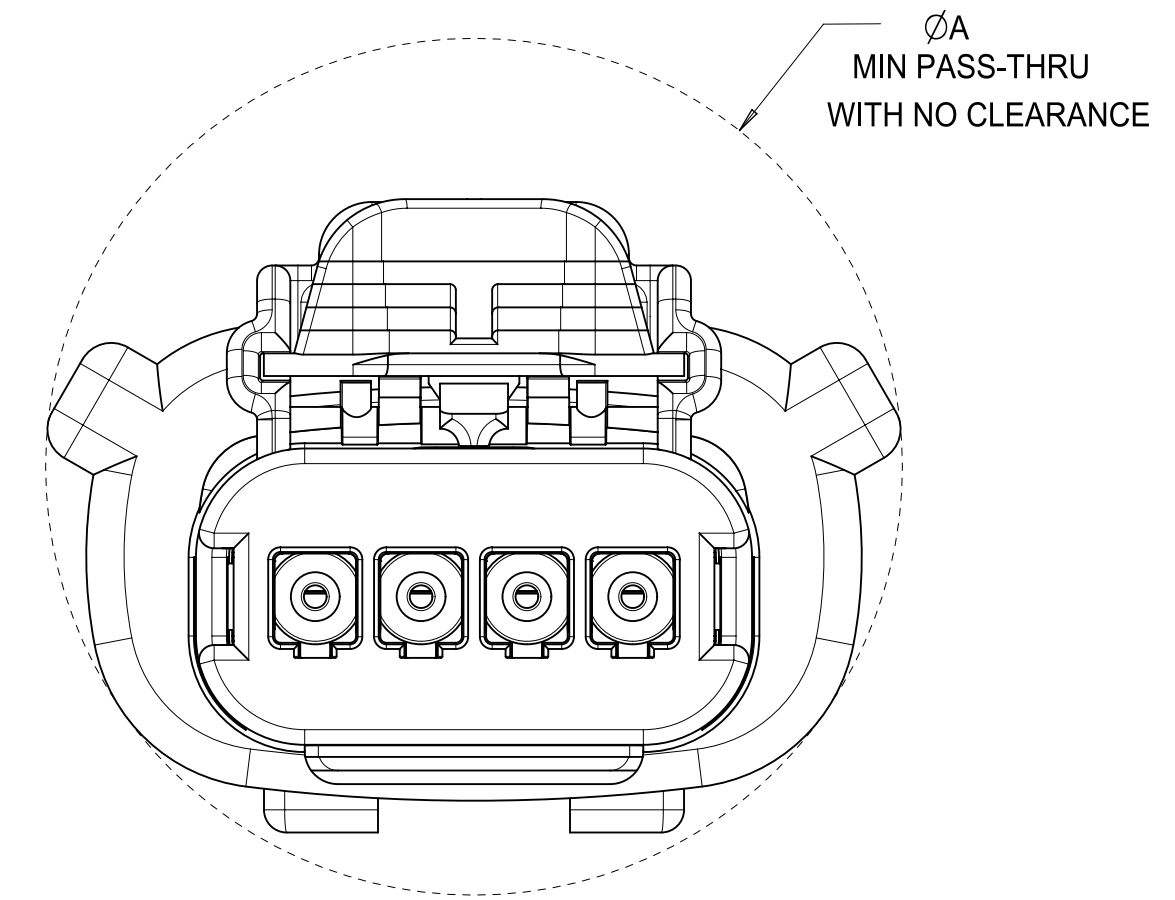
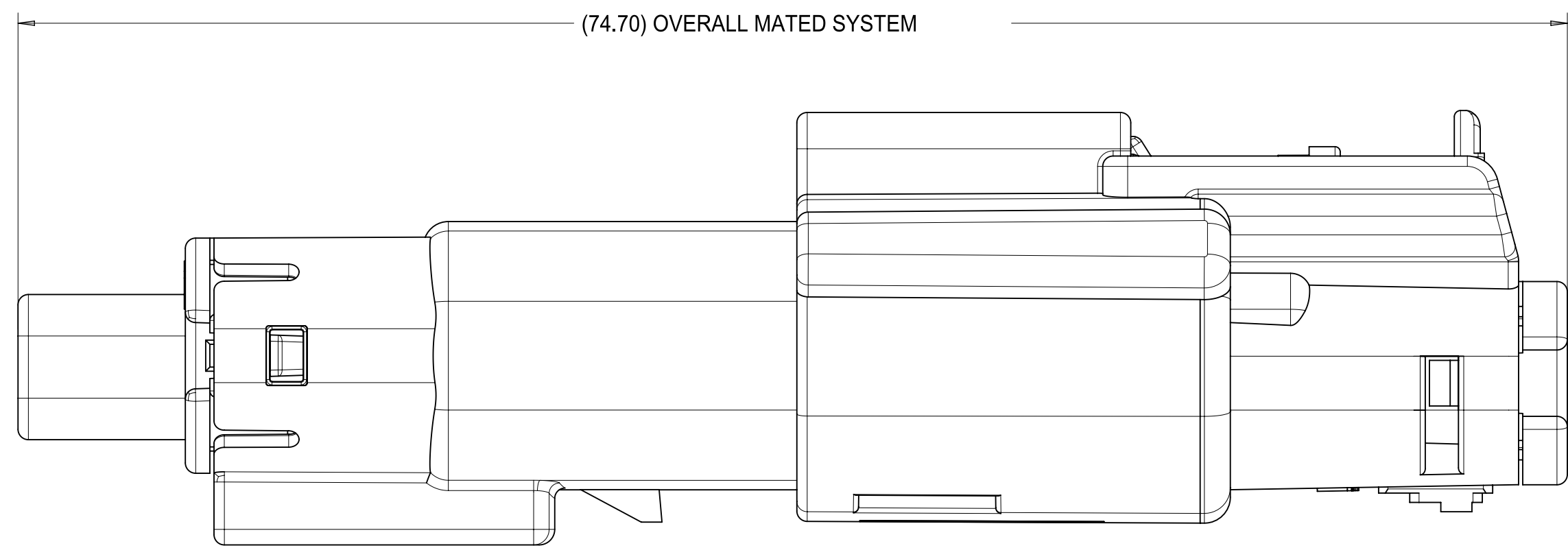
2. DESIGN - MATERIALS:
- a. CONNECTOR HOUSING, GROMMET CAP, PLR: SPS/NYLON BLEND 20% GLASS FILLED
 - b. MAT SEAL: INHERENTLY LUBRICATED SILICONE
 - c. SHORTING BARS: STAINLESS STEEL

3. DESIGN - GEOMETRY:
- a. THIS IS A 100% CAD GENERATED PART. THE CAD MATHEMATICAL DATA IS THE MASTER FOR THIS PART. FOR DIMENSIONAL OR ANY INFORMATION NOT SHOWN ON THIS DRAWING, ANALYZE THE CAD MODEL.
 - b. GEOMETRIC DIMENSIONS AND TOLERANCES PER ASME Y14.5M - 1994
 - c. EDGES AND UNDIMENSIONED DETAILS PER ISO13715
 - d. CORNERS SHOWN AS SHARP TO BE R 0.2 MAX.
 - e. LETTERING SHALL BE 0.15 MAX RAISED IN 0.25 MAX RECESS PAD. THIS INCLUDES RECYCLING CODE, CAVITY ID, VENDOR IDENTIFICATION, AND CUSTOMER MATERIAL NUMBER.
 - f. VISUAL DEFECTS SHALL MEET COSMETIC STANDARD PS-45499-002 (Class B)
 - g. LASER MARKING: TBD

REFERENCE
USE ONLY

K3	UPDATED THE STATUS OF P/Ns ON SHEET 5 (3128004XX) TO OBSOLETE PER PCN 512135, EXCEPT 312800442 THRU 312800445 WHICH WERE MARKED SALEABLE ADDED SALEABLE STATUS OF P/NS (3128044XX) ON SHEET 5, EXCEPT FOR 312804442 THRU 312804445 AND 312804440 WHICH WERE MARKED OBSOLETE AND FOR 312804438 THRU 312804439 WHICH WERE MARKED NOT RECOMMENDED
K2	ADDED NEW P/N 31280-4436 TO 31280-4451
K	ADDED NEW P/N 31280-0450 31280-0451
J	ADDED NEW P/N 31280-0449
H	ADDED NEW P/N 31280-0448
G	UPDATED GROMMET CAP
F1	UPDATED DIMENSIONS TO MATCH MODEL
F	REDRAWN
REV	DESCRIPTION

QUALITY SYMBOLS	THIS DRAWING CONTAINS INFORMATION THAT IS PROPRIETARY TO MOLEX ELECTRONIC TECHNOLOGIES, LLC AND SHOULD NOT BE USED WITHOUT WRITTEN PERMISSION	
▽ = 0	EC NO: CO-00001228 DRWN: MattYoung CHKD: Joe Fox REV APPR: Katy Bonuszewski	GENERAL TOLERANCES (UNLESS SPECIFIED) DIMENSION UNITS: mm SCALE: 3:1 DRWN BY: RFC_PLMIMP DATE: 2013/03/22
▽ = 0		ANGULAR TOL ± 1 ° 4 PLACES ± 0 3 PLACES ± 0 2 PLACES ± 0.1 1 PLACE ± 0.3 0 PLACES ± 0
▽ = 0		DRAFT WHERE APPLICABLE MUST REMAIN WITHIN DIMENSIONS DRAWING SIZE: D THIRD ANGLE PROJECTION
▽ = 0		MOLEX MX150 1X4 BLADE SEALED ASSEMBLY G Customer Product Dwg
▽ = 0		SERIES: 31280 MATERIAL NUMBER: SEE BOM CUSTOMER: GENERAL MARKET
▽ = 0		DOCUMENT NUMBER: SD-31280-200 DOC TYPE: PSD DOC PART: 001 SHEET NUMBER: 1 OF 5
▽ = 0		
▽ = 0		
▽ = 0		
▽ = 0		



CHARTED DIMENSIONS	
CONFIGURATION	A
MX150 1X4 RECPT SEALED ASSY - STANDARD	29.14
MX150 1X4 RECPT SEALED ASSY - ERGO	29.33
MX150 1X4 RECPT SEALED ASSY - SHORTING (SHRT) BAR	29.14


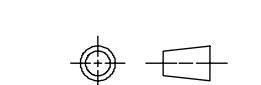
REFERENCE
USE ONLY

QUALITY SYMBOLS 	THIS DRAWING CONTAINS INFORMATION THAT IS PROPRIETARY TO MOLEX ELECTRONIC TECHNOLOGIES, LLC AND SHOULD NOT BE USED WITHOUT WRITTEN PERMISSION				
	EC NO: CO-00001228 DRWN: Matt Young CHKD: Joe Fox REV APPR: Katy Bonuszewski	GENERAL TOLERANCES (UNLESS SPECIFIED) DIMENSION UNITS: mm SCALE: 4:1	DRWN BY: RFC_PLMIMP DATE:	 MX150 1X4 BLADE SEALED ASSEMBLY G Customer Product Dwg	
		ANGULAR TOL ± 1 ° 4 PLACES ± 0 3 PLACES ± 0 2 PLACES ± 0.1 1 PLACE ± 0.3 0 PLACES ± 0	CHKD BY: MDICK DATE: 2013/03/22		
		DRAFT WHERE APPLICABLE MUST REMAIN WITHIN DIMENSIONS	APPR BY: DATE:		
K3	DRAWING SIZE: D THIRD ANGLE PROJECTION	SERIES: 31280 MATERIAL NUMBER: SEE BOM CUSTOMER: GENERAL MARKET	DOCUMENT NUMBER: SD-31280-200 DOC TYPE: PSD DOC PART: 001 SHEET NUMBER: 4 OF 5		

MOLEX ASSEMBLY PART NUMBER	HOUSING COLOR	KEYING OPTION	CAVITY NUMBER "X" INDICATES PLUGGED POSITION				NUMBER OF PLUGGED POSITIONS	STATUS	MAT SEAL	SHORTING BAR CIRCUITS 1&2	SHORTING BAR CIRCUITS 3&4
			1	2	3	4					
31280-0436	BLACK	A					0	OBSOLETE	PRESENT	PRESENT	PRESENT
31280-0437	LIGHT GRAY	B					0	OBSOLETE	PRESENT	PRESENT	PRESENT
31280-0438	BROWN	C					0	OBSOLETE	PRESENT	PRESENT	PRESENT
31280-0439	GREEN	D					0	OBSOLETE	PRESENT	PRESENT	PRESENT
31280-0440	CUSTOM	TBD					0	OBSOLETE	PRESENT	PRESENT	PRESENT
31280-0441	BLACK	A			X	X	2	OBSOLETE	PRESENT	PRESENT	NONE
31280-0442	BLACK	A					0	SALEABLE	NONE	PRESENT	PRESENT
31280-0443	LIGHT GRAY	B					0	SALEABLE	NONE	PRESENT	PRESENT
31280-0444	BROWN	C					0	NOT RECOMMENDED	NONE	PRESENT	PRESENT
31280-0445	GREEN	D					0	NOT RECOMMENDED	NONE	PRESENT	PRESENT
31280-0446	BLACK	A					0	OBSOLETE	PRESENT	PRESENT	NONE
31280-0447	LIGHT GRAY	B					0	OBSOLETE	PRESENT	NONE	PRESENT
31280-0448	YELLOW	A					0	OBSOLETE	PRESENT	PRESENT	PRESENT
31280-0449	YELLOW	A				X	1	OBSOLETE	PRESENT	PRESENT	NONE
31280-0450	DARK GRAY	C					0	OBSOLETE	PRESENT	PRESENT	PRESENT
31280-0451	STONE GRAY	D					0	OBSOLETE	PRESENT	PRESENT	PRESENT

MOLEX ASSEMBLY PART NUMBER	HOUSING COLOR	KEYING OPTION	CAVITY NUMBER "X" INDICATES PLUGGED POSITION				NUMBER OF PLUGGED POSITIONS	STATUS	MAT SEAL	SHORTING BAR CIRCUITS 1&2	SHORTING BAR CIRCUITS 3&4
			1	2	3	4					
31280-4436	BLACK	A					0	SALEABLE	PRESENT	PRESENT	PRESENT
31280-4437	LIGHT GRAY	B					0	SALEABLE	PRESENT	PRESENT	PRESENT
31280-4438	BROWN	C					0	NOT RECOMMENDED	PRESENT	PRESENT	PRESENT
31280-4439	GREEN	D					0	NOT RECOMMENDED	PRESENT	PRESENT	PRESENT
31280-4440	CUSTOM	TBD					0	OBSOLETE	PRESENT	PRESENT	PRESENT
31280-4441	BLACK	A				X	X	2	SALEABLE	PRESENT	NONE
31280-4442	BLACK	A					0	OBSOLETE	NONE	PRESENT	PRESENT
31280-4443	LIGHT GRAY	B					0	OBSOLETE	NONE	PRESENT	PRESENT
31280-4444	BROWN	C					0	OBSOLETE	NONE	PRESENT	PRESENT
31280-4445	GREEN	D					0	OBSOLETE	NONE	PRESENT	PRESENT
31280-4446	BLACK	A					0	SALEABLE	PRESENT	PRESENT	NONE
31280-4447	LIGHT GRAY	B					0	SALEABLE	PRESENT	NONE	PRESENT
31280-4448	YELLOW	A					0	SALEABLE	PRESENT	PRESENT	PRESENT
31280-4449	YELLOW	A					X	1	SALEABLE	PRESENT	NONE
31280-4450	DARK GRAY	C					0	SALEABLE	PRESENT	PRESENT	PRESENT
31280-4451	STONE GRAY	D					0	SALEABLE	PRESENT	PRESENT	PRESENT

REFERENCE USE ONLY

QUALITY SYMBOLS □ = 0 ▽ = 0 ▽ = 0 ▽ = 0 ▽ = 0 ▽ = 0 ▽ = 0 ▽ = 0 ▽ = 0 ▽ = 0	THIS DRAWING CONTAINS INFORMATION THAT IS PROPRIETARY TO MOLEX ELECTRONIC TECHNOLOGIES, LLC AND SHOULD NOT BE USED WITHOUT WRITTEN PERMISSION										
	EC NO: CO-00001228 DRWN: Matt Young CHKD: Joe Fox REV APPR: Katy Bonuszewski	GENERAL TOLERANCES (UNLESS SPECIFIED)		DIMENSION UNITS	SCALE	 MX150 1X4 BLADE SEALED ASSEMBLY G Customer Product Dwg					
		ANGULAR TOL ± 1 °		mm	1:1						
		4 PLACES ± 0	DRWN BY		DATE						
		3 PLACES ± 0	RFC_PLMIMP		DATE						
		2 PLACES ± 0.1	MDICK		2013/03/22						
	1 PLACE ± 0.3	APPR BY		DATE	SERIES		MATERIAL NUMBER		CUSTOMER		
	0 PLACES ± 0	DRAFT WHERE APPLICABLE MUST REMAIN WITHIN DIMENSIONS		DRAWING SIZE	THIRD ANGLE PROJECTION	31280	SEE BOM	GENERAL MARKET			
	DRAFT WHERE APPLICABLE MUST REMAIN WITHIN DIMENSIONS		D			DOCUMENT NUMBER		DOC TYPE	DOC PART	SHEET NUMBER	
					SD-31280-200		PSD	001	5 OF 5		