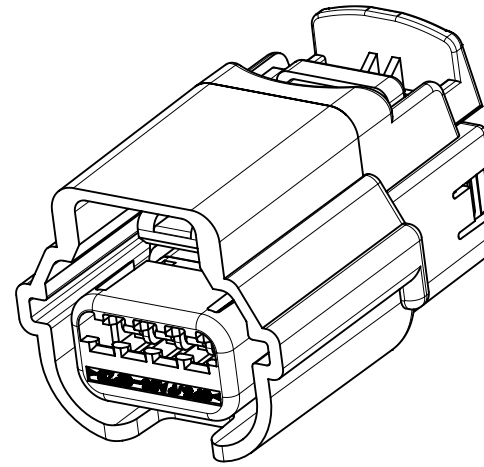




1X2



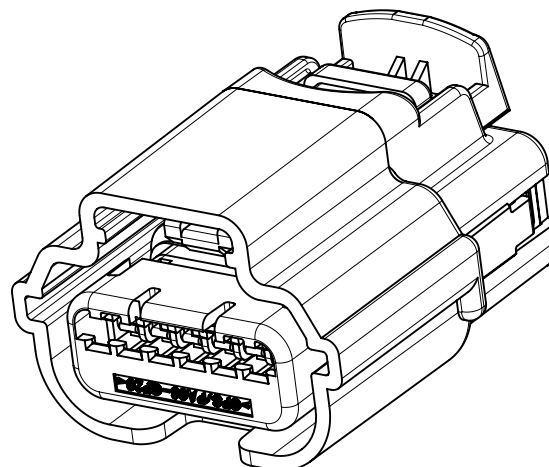
1X3



1X4



1X5



1X6



1X8

| TABLE OF CONTENTS | |
|-------------------|-------------------------------------|
| SHEET NO. | SHEET DESCRIPTION |
| 1 | NOTES AND BOM |
| 2 | CONNECTOR ASSEMBLY WITHOUT CLIPSLOT |
| 3 | CONNECTOR ASSEMBLY WITH CLIPSLOT |
| 4-5 | KEY CONFIGURATIONS |
| 6-9 | BOM |

| DRAWING INFORMATION | |
|-----------------------|---|
| DESCRIPTION | DRAWING NO. |
| PRODUCT SPECIFICATION | PS-31402-000 |
| | FOR 31404 1X8 REFER TO PS-31404-001-1X8 |
| PACKAGING | PK-31300-256 |
| SALES DRAWING | SD-31402-211 |
| | FOR 31404 1X8 REFER TO SD-31404-811 |
| TEST SUMMARY | FOR 1X2 REFER TO TS-31402-001-1X2 |
| | FOR 1X3 REFER TO TS-31402-001-1X3 |
| | FOR 1X6 REFER TO TS-31402-001-1X6 |
| | FOR 31404 1X8 REFER TO TS-31404-001-1X8 |

| MATING INTERFACE DRAWING | |
|--------------------------|----------------------|
| DESCRIPTION | INTERFACE DEFINITION |
| 1X2 | *064-S-002-1-Z02 |
| 1X3 | *064-S-003-1-Z01 |
| 1X4 | *064-S-004-1-Z02 |
| 1X5 | *064-S-005-1-Z02 |
| 1X6 | *064-S-006-1-Z02 |
| 1X8 | *064-S-008-1-Z02 |

NOTES: VALID UNLESS OTHERWISE SPECIFIED

1. GENERAL:
 - a. APPLICATION SPECIFICATION SEE: AS-31402-000
 - CONTAINS: SEE AS CONTENT
 - DESIGNED TO MATE WITH DEVICE OR CONNECTOR AS SPECIFIED IN THE MATING INTERFACE DRAWINGS CHART.
 - *DENOTES DRAWINGS THAT CAN BE ACCESSED AT <http://ewcap.uscarteams.org/>.
 - ASSEMBLY SHIPPED WITH PLR IN PRE-LOCK POSITION (SEE PLR PRE-LOCK VIEW ON SHEET 2 SECTION A-A).
 - b. PRODUCT RELATED DRAWING REFER TO DRAWING INFORMATION CHART
 - c. TPA'S MAY BECOME SEATED DURING TRANSIT. IF THIS OCCURS, TPA'S SHOULD BE MOVED TO THE PRE-LOCKED POSITION PRIOR TO FEMALE TERMINAL INSTALLATION. REFERENCE PRODUCT SPECIFICATION: PS-34646-001
 - d. PARTS MUST BE IN COMPLIANCE TO MOLEX CHEMICAL SUBSTANCES FOR PRODUCTS AND PACKAGING SPECIFICATION: QEHS-699000-301
 - e. DATA MUST BE SUBMITTED UNDER THE MOLEX PART NUMBER TO IMDS (COMPANY ID#13255)
 - f. SYSTEM EXCEPT SERIES 31404 1X8 CIRCUIT TO BE USED WITH OUTSIDE WIRE DIAMETERS RANGING FROM 1.20MM TO 2.06MM WITHIN RANGE OF:
 - SAE 22 AWG TO 18 AWG PER ESB-M1L123-A2
 - ISO 0.35MM² TO 0.75MM² PER GMW15626 AND ES-AU5T-1A348-AA
 - g. POLARIZATION FEATURE EFFECTIVENESS PER USCAR-2 PARAGRAPH 5.4.4 IS REDUCED WHEN TESTING ALL POLARIZATION OPTIONS: 100N MIN.
 - h. SEE SHEET #3 FOR CONNECTOR ASSEMBLY WITH CLIPSLOP
 - i. FOR CLIPSSLOT CONNECTOR: CLIP OVERHANGS CONNECTOR, PLEASE CHECK APPLICATION (COULD CAUSE WIRE CHAFING)-SHORTER CLIP IS A RECOMMENDATION.

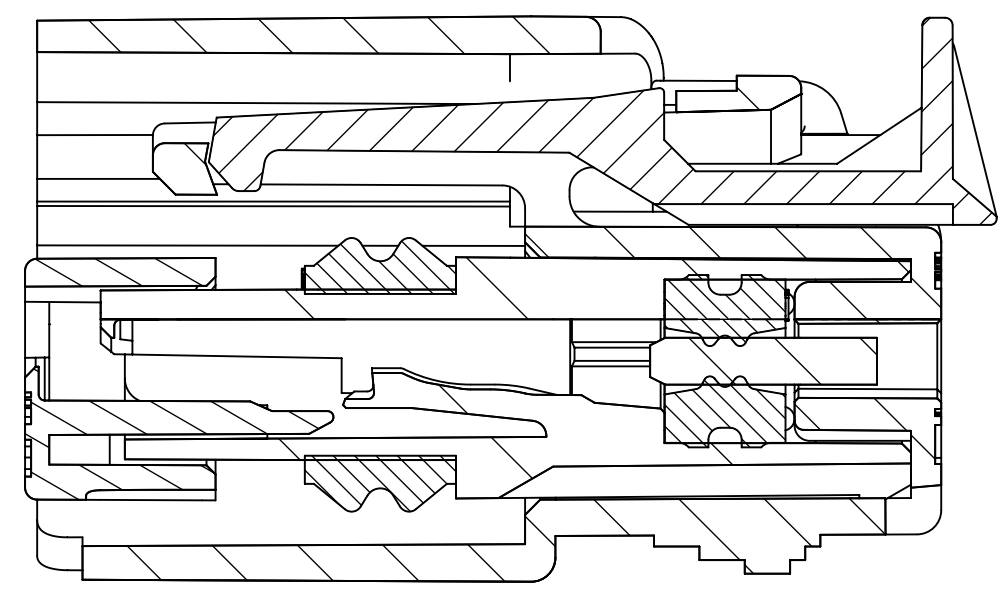
2. DESIGN - GEOMETRY:
 - a. THE 3-D CAD DATA IS BASIC (WITHOUT TOLERANCE) AND MASTER FOR THIS PART WITH THE EXCEPTION OF UNDERLINED DIMENSIONS. DIMENSIONAL INFORMATION NOT SHOWN ON THIS DRAWING IS DEFINED BY THE DATA FILE AT ITS LATEST REVISION.
 - b. GEOMETRIC DIMENSIONS AND TOLERANCES PER ASME Y14.5M-2009
 - c. EDGES AND UNDIMENSIONED DETAILS PER ISO13715
 - d. CORNERS SHOWN AS SHARP TO BE R 0.2 MAX.
 - e. LETTERING SHALL BE 0.15 MAX RAISED IN 0.25 MAX RECESS PAD. THIS INCLUDES RECYCLING CODE, CAVITY ID, VENDOR IDENTIFICATION, AND CUSTOMER MATERIAL NUMBER.
 - f. VISUAL DEFECTS SHALL MEET COSMETIC STANDARD PS-45499-002 (Class B).
 - g. DATE CODE: FIRST TWO DIGITS ARE THE CALENDAR YEAR (EXAMPLE: 04 = 2004). THIRD THROUGH 5TH DIGIT DAY # OF THE CALENDAR YEAR (EXAMPLE: FEB. 3RD = '034').

PART NUMBER LEGEND
CONNECTOR ASSEMBLY

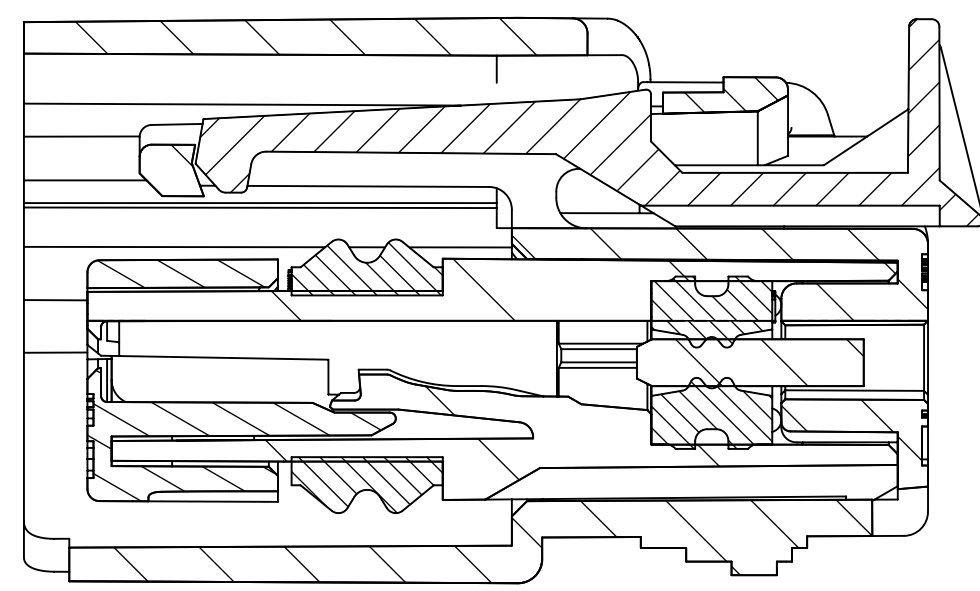
- 3140X-XXXX
- SEAL PLUG CONFIGURATION (AS MOLDED)
 - 0 - ALL CIRCUITS OPEN
 - 1-9 SEE CHART
 - CPA OPTION
 - 0 OR 2 - WITHOUT CPA
 - 1 OR 3 - WITH CPA
 - 4 - WITHOUT CPA, WITH CLIPSLOT
 - 5 - WITH CPA, WITH CLIPSLOT
 - USCAR POLARIZATION OPTION
 - 1 - POLARIZATION OPTION A
 - 2 - POLARIZATION OPTION B
 - 3 - POLARIZATION OPTION C
 - 4 - POLARIZATION OPTION D
 - 5 - POLARIZATION OPTION B, BLACK
 - 6 - POLARIZATION OPTION C, BLACK
 - 7 - POLARIZATION OPTION D, BLACK
 - 8 - POLARIZATION OPTION C, NATURAL
 - 9 - POLARIZATION OPTION D, GRAY
 - 0 - POLARIZATION OPTION D, DARK GRAY
 - CIRCUIT SIZE 2, 3, 4, 5, 6 & 8
 - 6 - CIRCUIT SIZE 6, WITH 31412-6500 OR 31412-6501 RING SEAL (FOR 31402 AND 31403 SERIES) WITH 31412-6500 RING SEAL (FOR 31404 SERIES)
 - 7 - CIRCUIT SIZE 6, WITH 31412-6501 RING SEAL (FOR 31404 SERIES)
 - TERMINAL OPTION
 - 2 - TYCO/MOLEX GET 0.64
 - 3 - MOLEX 0.64
 - 4 - YAZAKI KAIZEN 0.64/TE GEN Y 0.64/JST AIT 0.64

| | |
|-----|---|
| U7 | ADD P/N: 31402-6134 to 31402-6124 |
| U6 | ADD P/N: 31402-6001 to 31402-6006 31403-6001 to 31403-6006 31404-6001 to 31404-6012 |
| U5 | ADD P/N: 31402-6122/6132/6123/6133, 31403-6105/6115/6502/6512 |
| U4 | DELETE P/N 31402-2120/2130 |
| U3 | DELETE OBSOLETE P/NS (31404-6XXX) DELETE P/N WITH GREEN AND BROWN COLOR |
| U2 | ADD P/N: 31404-7126, 31404-7136 |
| U1 | ADD P/N: 31402-3115, 31402-3105 |
| U | OBSOLETE P/N 31404-6XXX |
| T8 | ADD P/N: 31404-7804, 31404-7814 |
| T7 | CHANGE STATUS FROM "TOOLED" TO "SALEABLE" ADD P/N 31404-7135/7125, 31404-7216/7206, 31404-7913/7903 |
| T6 | ADD P/N: 31404-7124, 31404-7134, 31404-7205, 31404-7215, 31404-7803, 31404-7813 |
| T5 | ADD P/N: 31404-7123; 31404-7133; 31404-7902; 31404-7912 |
| T4 | ADD P/N: 31402-2120, 31402-2130, 31402-3104, 31402-3114, 31402-6201, 31402-6211, 31402-6301, 31402-6311, 31402-6401, 31402-6411, 31402-6501, 31402-6511, 31402-6601, 31402-6611, 31402-6701, 31402-6711, 31403-6201, 31403-6211, 31403-6301, 31403-6311, 31403-6401, 31403-6411, 31403-6501, 31403-6511, 31403-6601, 31403-6611, 31403-6701, 31403-6711, 31404-6201, 31404-6211 |
| T2 | UPDATE BOM INFORMATION ON SHEET 9 |
| T1 | DELETE 31402/31403-7*** P/N |
| T | ADD P/N 3140*-7XXXX FOR 1X6 WITH 31412-6501 RING SEAL VERSION ON SHEET 9 |
| S | ADD P/N: 31402-6131; 31402-6121 |
| R | ADD P/N: 31404-3112; 31404-3102 |
| P | ADD P/N: 31403-3132; 31403-3122 |
| M | ADD P/N: 31402-6118; 31402-6108 |
| REV | REV DESCRIPTION |

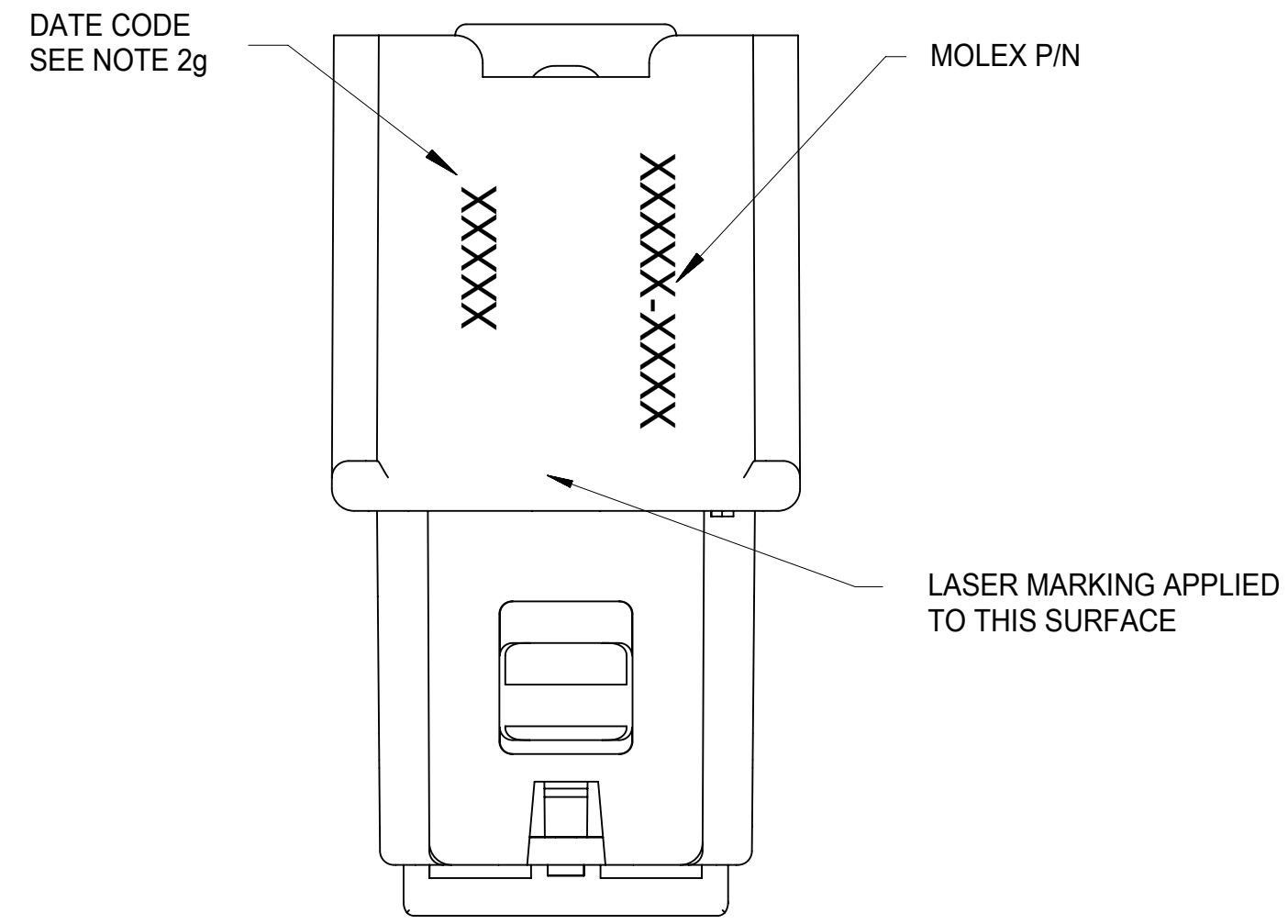
| | | | | |
|--------------------|---|---|--|--|
| FUNCTIONAL SYMBOLS | THIS DRAWING CONTAINS INFORMATION THAT IS PROPRIETARY TO MOLEX ELECTRONIC TECHNOLOGIES, LLC AND SHOULD NOT BE USED WITHOUT WRITTEN PERMISSION | | CURRENT REV DESC: | <p>molex</p> <p>0.64 USCAR CONNECTOR SEALED SINGLE ROW ASSEMBLY</p> <p>PRODUCT CUSTOMER DRAWING</p> |
| | <p>FA = 0</p> <p>FC = 0</p> <p>FD = 0</p> | <p>mm</p> <p>SCALE 1:1</p> <p>GENERAL TOLERANCES (UNLESS SPECIFIED)</p> <p>ANGULAR TOL ± 3.0°</p> <p>4 PLACES ±</p> <p>3 PLACES ±</p> <p>2 PLACES ± 0.13</p> <p>1 PLACE ± 0.3</p> <p>0 PLACES ±</p> | | |
| DIVISIONAL SYMBOLS | <p>DRAFT WHERE APPLICABLE MUST REMAIN WITHIN DIMENSIONS</p> <p>THIRD ANGLE PROJECTION</p> <p>DRAWING</p> <p>D-SIZE</p> | <p>SERIES</p> <p>31402</p> | <p>MATERIAL NUMBER</p> <p>GENERAL MARKET</p> | <p>SHEET NUMBER</p> <p>1 OF 8</p> |



SECTION A-A
TPA SHOWN IN AS-SHIPPED
PRE-LOCKED POSITION
SEE NOTE 1c

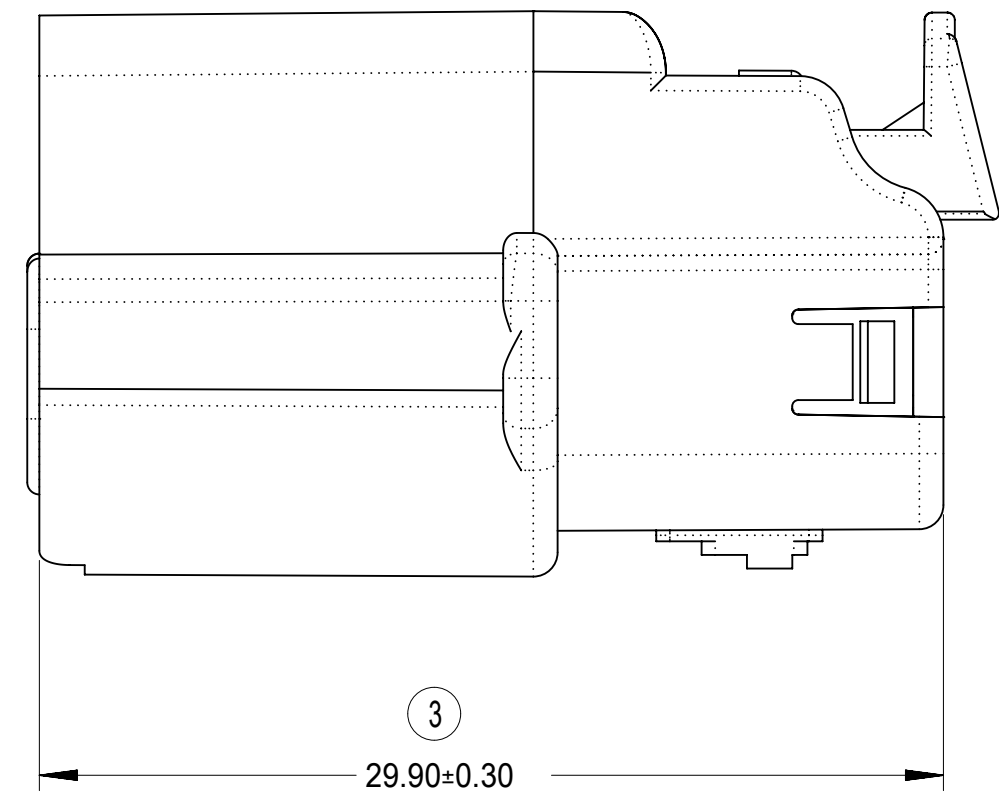
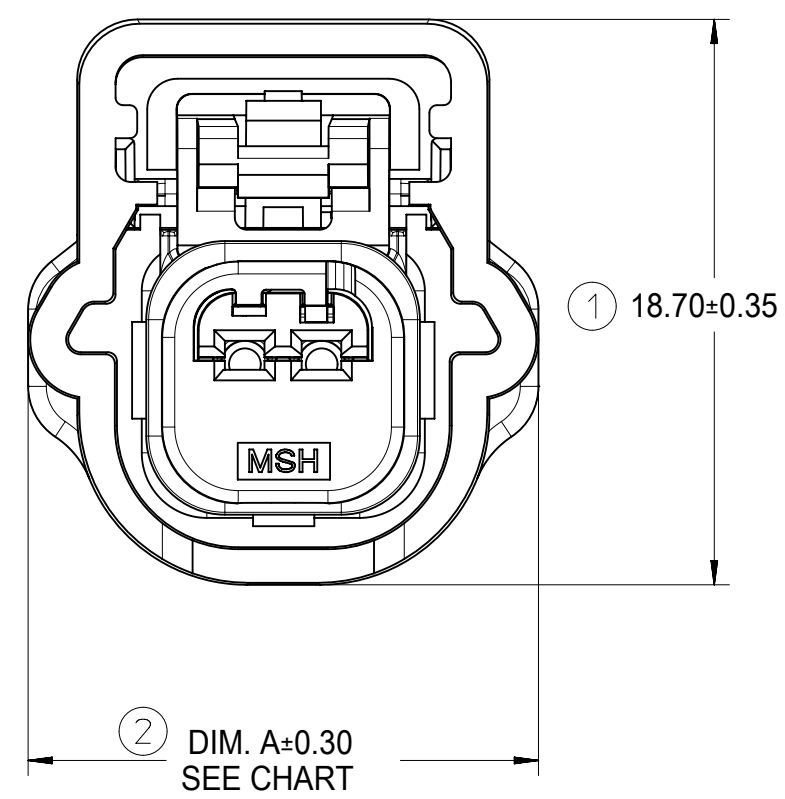
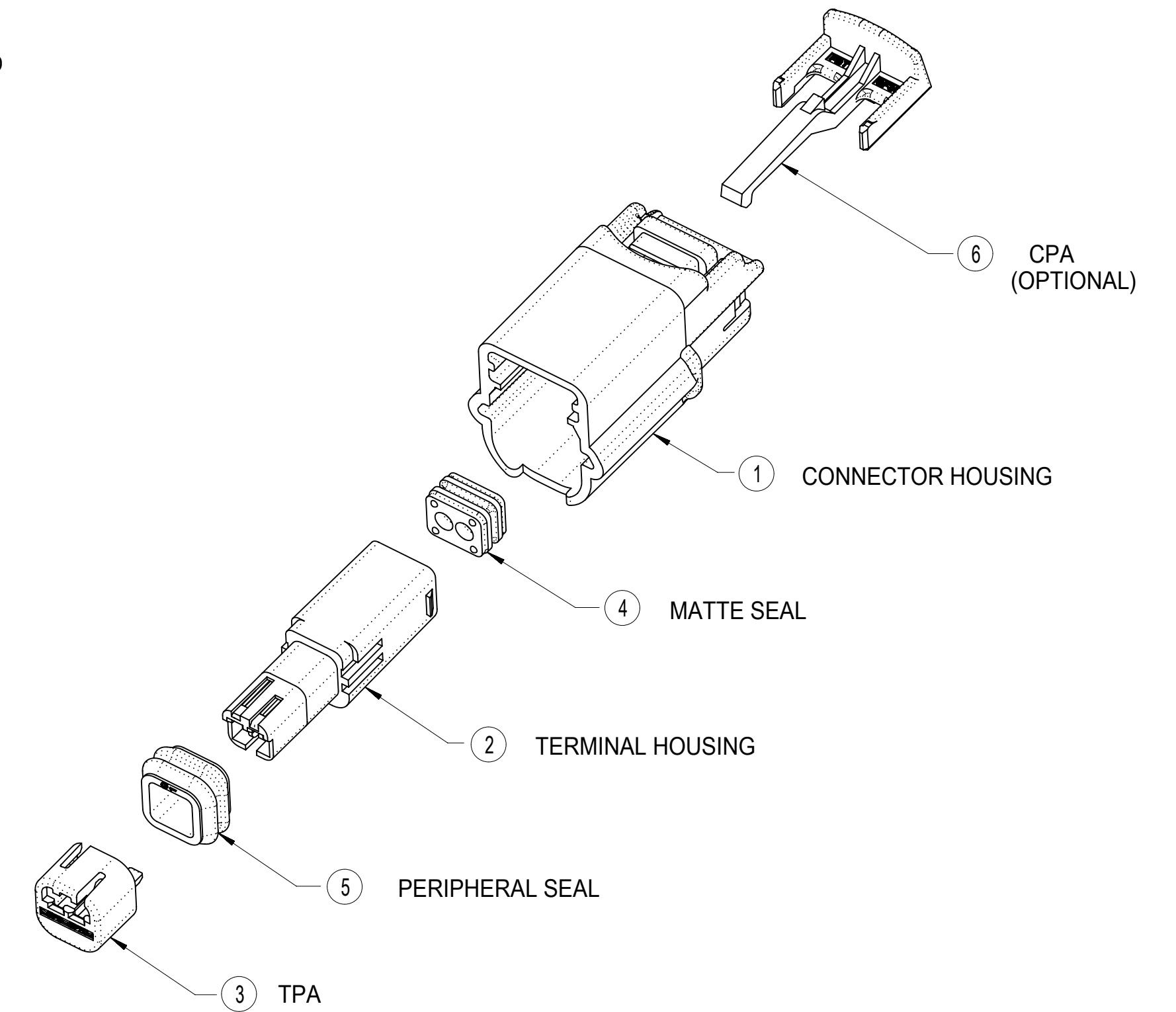


SECTION A-A
TPA SHOWN IN FINAL
LOCKED POSITION

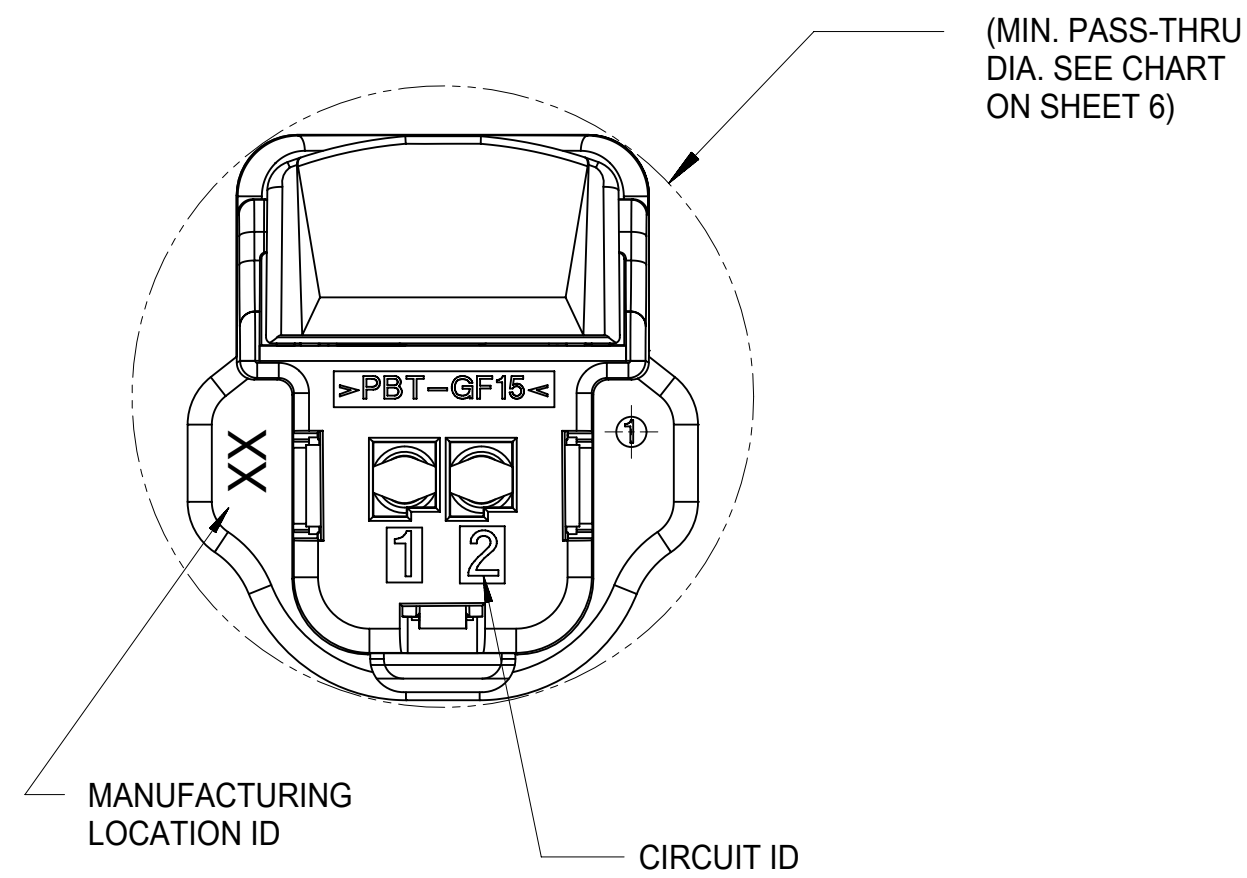


BOTTOM VIEW

CONNECTOR ASSEMBLY WITHOUT CLIPSLOT



RIGHT SIDE VIEW



BACK VIEW

| ITEM | DESCRIPTION | COLOR | MATERIAL |
|------|-------------------|-----------|-----------------|
| 1 | CONNECTOR HOUSING | SEE CHART | PBT GF15 |
| 2 | TERMINAL HOUSING | BLACK | SPS/PA66 GF30 |
| 3 | TPA | NATURAL | SPS/PA66 GF20 |
| 4 | MATTE SEAL | SEE CHART | SILICONE RUBBER |
| 5 | PERIPHERAL SEAL | SEE CHART | SILICONE RUBBER |
| 6 | CPA - OPTIONAL | RED | PBT GF30 |

| | | | | | | | | | | |
|--|---|--|--|--|--|--|--|--|--|--|
| FUNCTIONAL SYMBOLS FA = 0 EC = 0 EP = 0 DIVISIONAL SYMBOLS | THIS DRAWING CONTAINS INFORMATION THAT IS PROPRIETARY TO MOLEX ELECTRONIC TECHNOLOGIES, LLC AND SHOULD NOT BE USED WITHOUT WRITTEN PERMISSION | | DIMENSION UNITS: mm SCALE: 1:1 | | CURRENT REV DESC: | | | | | |
| | GENERAL TOLERANCES (UNLESS SPECIFIED) ANGULAR TOL ± 3.0° | | 4 PLACES ± 3 PLACES ± 2 PLACES ± 0.13 1 PLACE ± 0.3 0 PLACES ± | | EC NO: 679773 DRWN: MCHEN37 2021/09/23 CHK'D: LSONG05 2021/10/08 APPR: CDZHANG 2021/10/11 | | | | | |
| | DRAFT WHERE APPLICABLE MUST REMAIN WITHIN DIMENSIONS | | THIRD ANGLE PROJECTION | | DRAWING: D-SIZE SERIES: 31402 | | INITIAL REVISION: DRWN: RCARLSON 2004/03/01 APPR: PBERG 2004/09/30 | | PRODUCT CUSTOMER DRAWING | |
| | | | | | | | DOCUMENT NUMBER: SD-31402-211 DOC TYPE: PSD DOC PART: 001 REVISION: U7 | | GENERAL MARKET SHEET NUMBER: 2 OF 8 | |



SECTION C-C

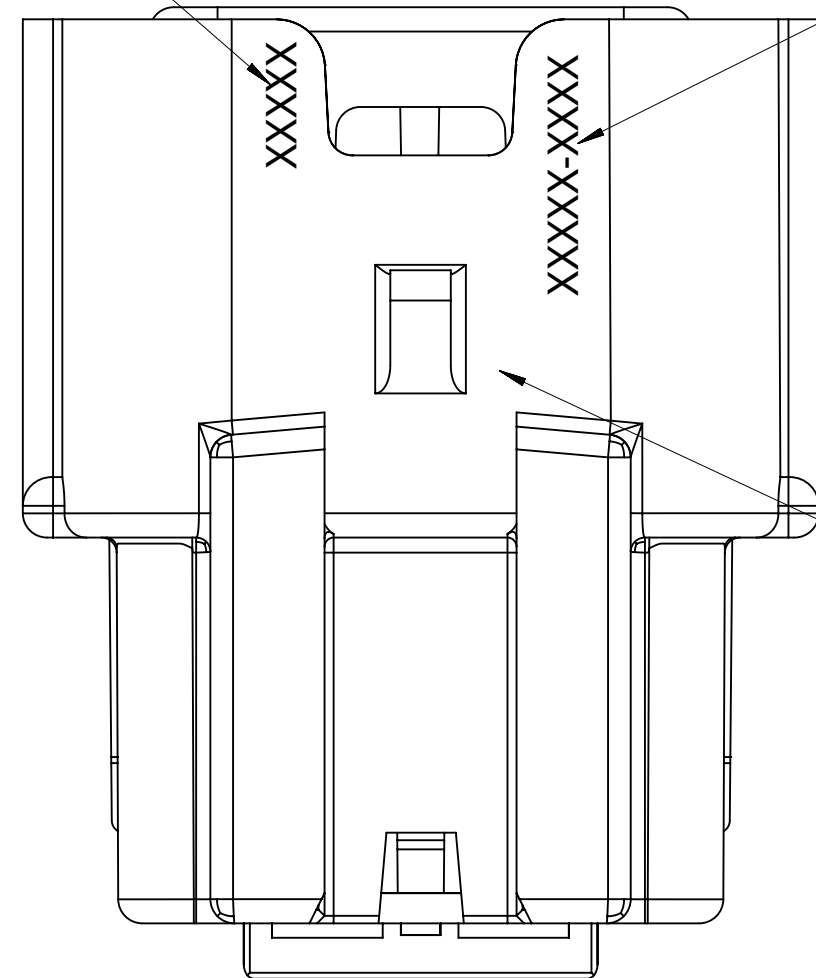
TPA SHOWN IN AS-SHIPPED
PRE-LOCKED POSITION
SEE NOTE 1c



SECTION C-C

TPA SHOWN IN FINAL
LOCKED POSITION

DATE CODE
SEE NOTE 2g

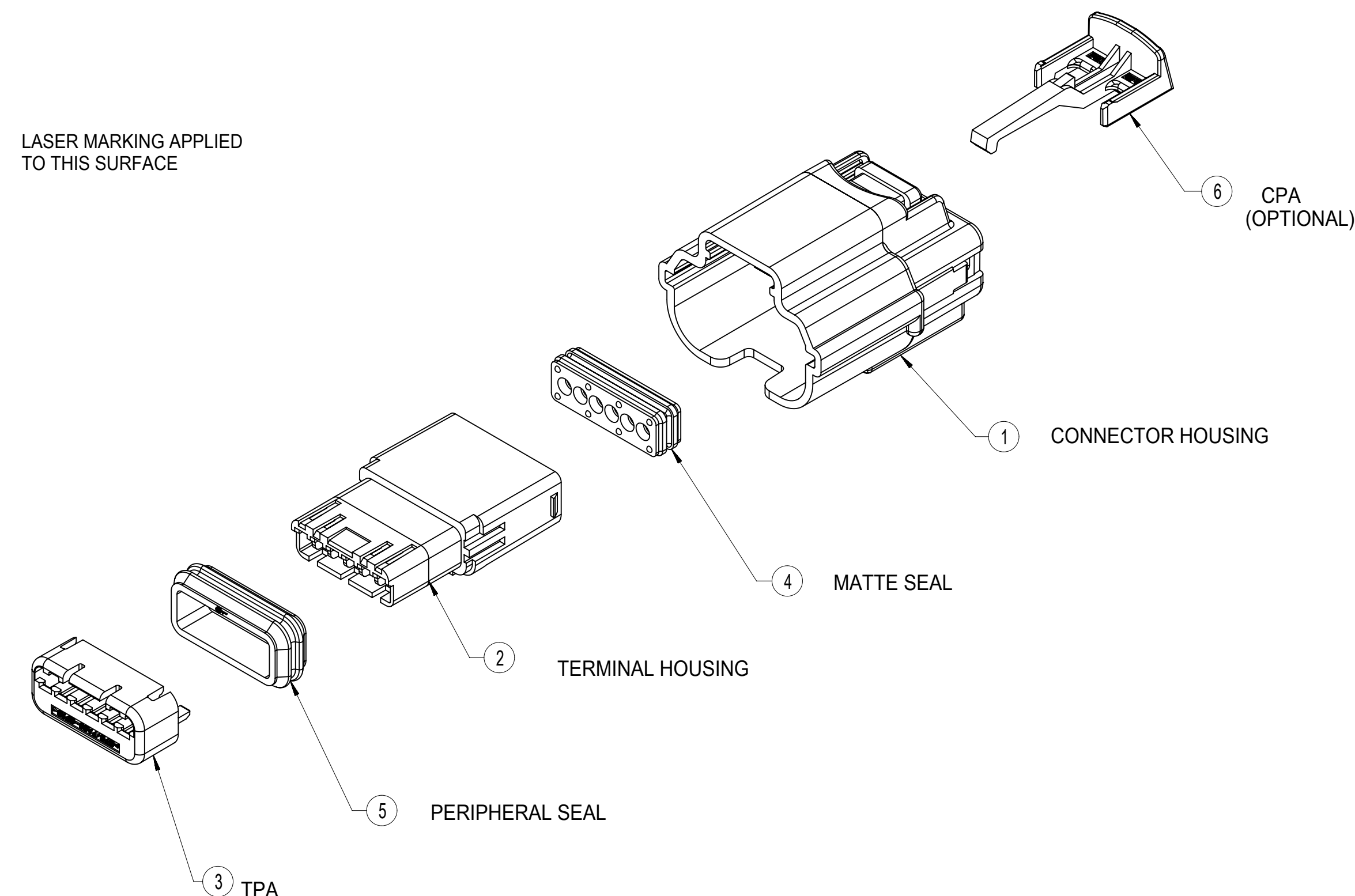


MOLEX P/N

LASER MARKING APPLIED
TO THIS SURFACE

BOTTOM VIEW

CONNECTOR ASSEMBLY WITH CLIPSLOT



CONNECTOR HOUSING

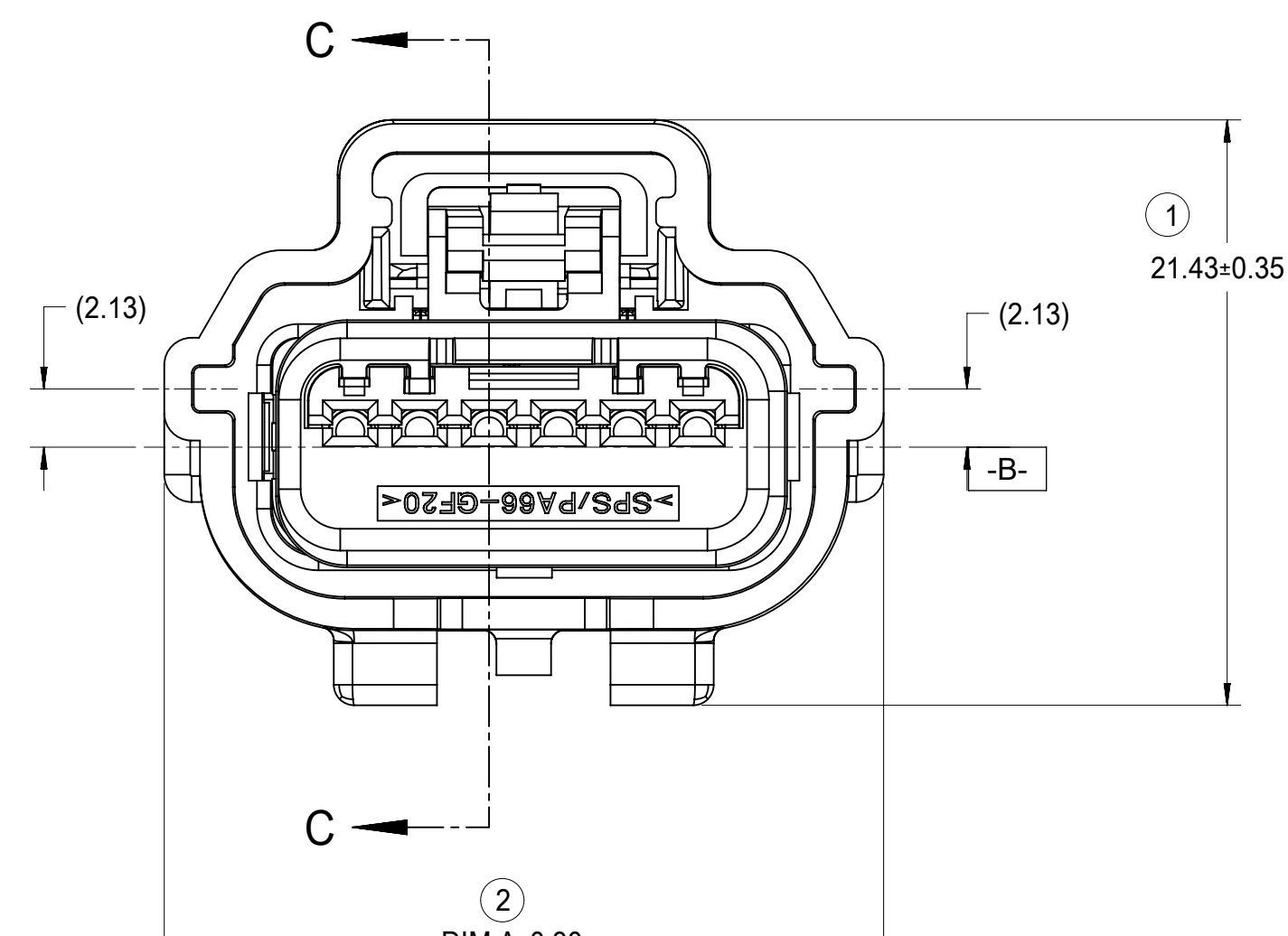
TERMINAL HOUSING

PERIPHERAL SEAL

TPA

MATTE SEAL

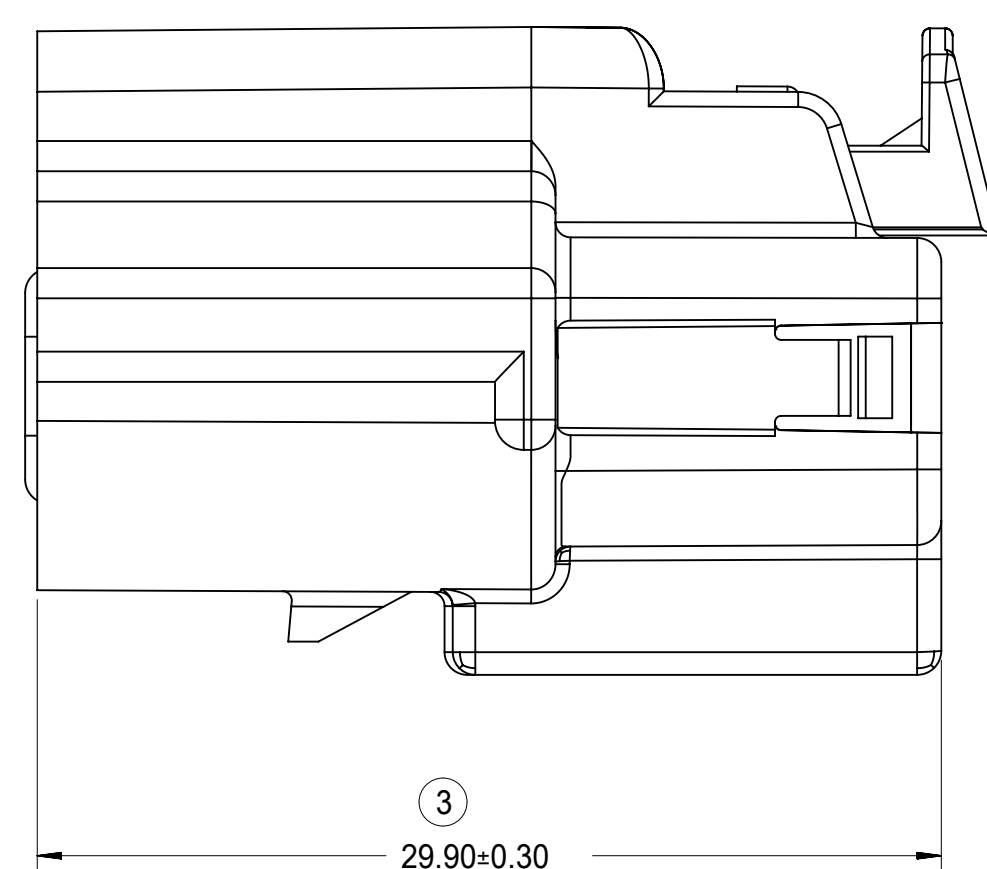
CPA
(OPTIONAL)



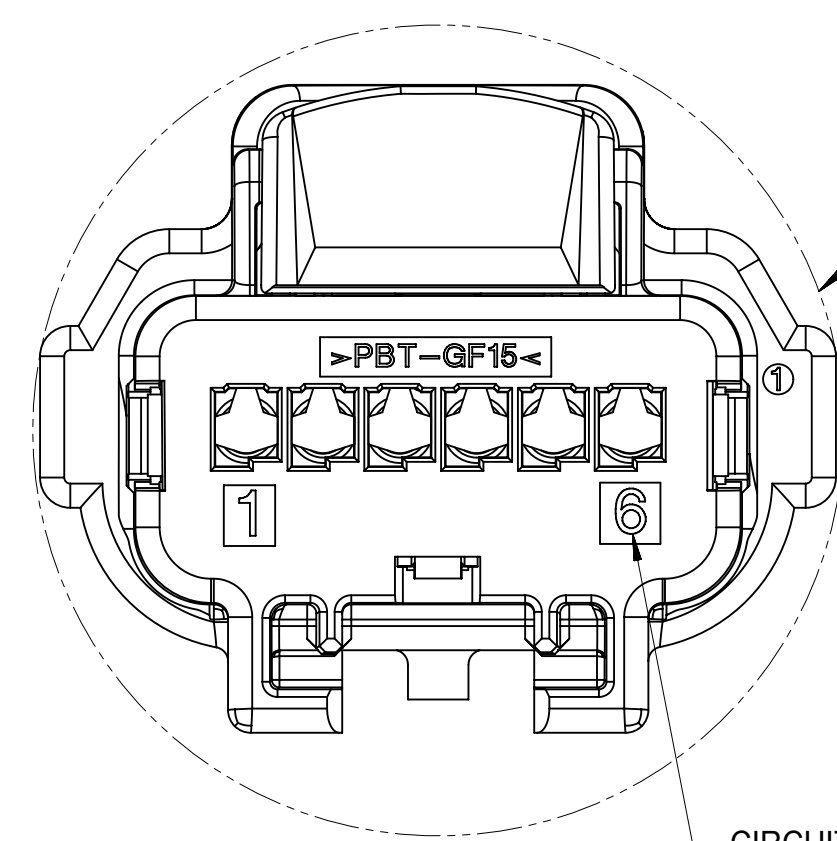
DIM A=0.30
SEE CHART

FRONT VIEW

POLARIZATION A



RIGHT SIDE VIEW



(MIN. PASS-THRU
DIA. SEE CHART
ON SHEET 7)

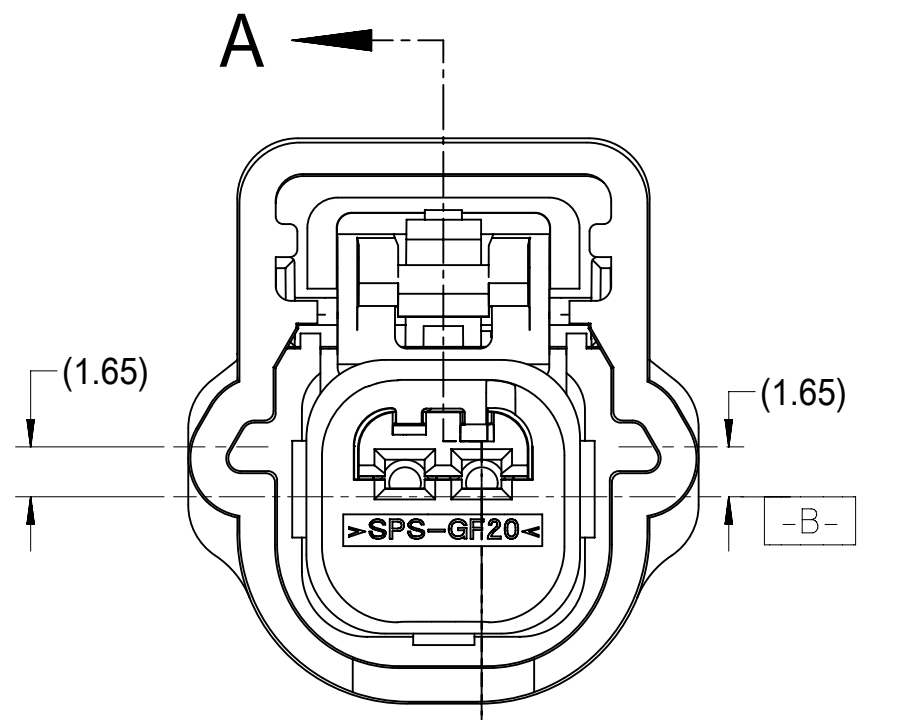
BACK VIEW

CIRCUIT ID

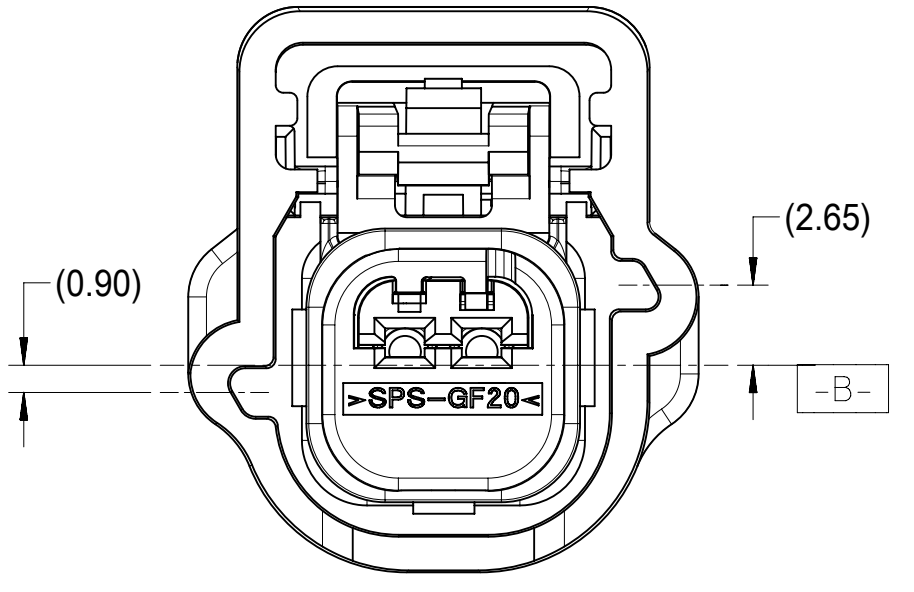
| ITEM | DESCRIPTION | COLOR | MATERIAL |
|------|-------------------|-----------|-----------------|
| 1 | CONNECTOR HOUSING | SEE CHART | PBT GF15 |
| 2 | TERMINAL HOUSING | BLACK | SPS/PA66 GF30 |
| 3 | TPA | NATURAL | SPS/PA66 GF20 |
| 4 | MATTE SEAL | SEE CHART | SILICONE RUBBER |
| 5 | PERIPHERAL SEAL | SEE CHART | SILICONE RUBBER |
| 6 | CPA - OPTIONAL | RED | PBT GF30 |

| | | | | | | |
|--|--|--|--------------------------|--------------------------------------|--------------------------|----------------------|
| FUNCTIONAL SYMBOLS FA = 0 FE = 0 FP = 0 DIVISIONAL SYMBOLS | THIS DRAWING CONTAINS INFORMATION THAT IS PROPRIETARY TO MOLEX ELECTRONIC TECHNOLOGIES, LLC AND SHOULD NOT BE USED WITHOUT WRITTEN PERMISSION DIMENSION UNITS: mm SCALE: 1:1 | CURRENT REV DESC: EC NO: 679773 DRWN: MCHEN37 CHK'D: LSONG05 APPR: CDZHANG | | | | |
| | GENERAL TOLERANCES (UNLESS SPECIFIED) ANGULAR TOL ± 3.0° 4 PLACES ± 3 PLACES ± 2 PLACES ± 0.13 1 PLACE ± 0.3 0 PLACES ± | 2021/09/23 2021/10/08 2021/10/11 | | | | |
| | DRAFT WHERE APPLICABLE MUST REMAIN WITHIN DIMENSIONS | THIRD ANGLE PROJECTION | DRAWING: D-SIZE | SERIES: 31402 | PRODUCT CUSTOMER DRAWING | |
| | INITIAL REVISION: DRWN: RCARLSON APPR: PBERG | | 2004/03/01 2004/09/30 | DOCUMENT NUMBER: SD-31402-211 | DOC TYPE: PSD | DOC PART: 001 |
| MATERIAL NUMBER: GENERAL MARKET | | CUSTOMER: 3 OF 8 | | SHEET NUMBER: 3 OF 8 | | |

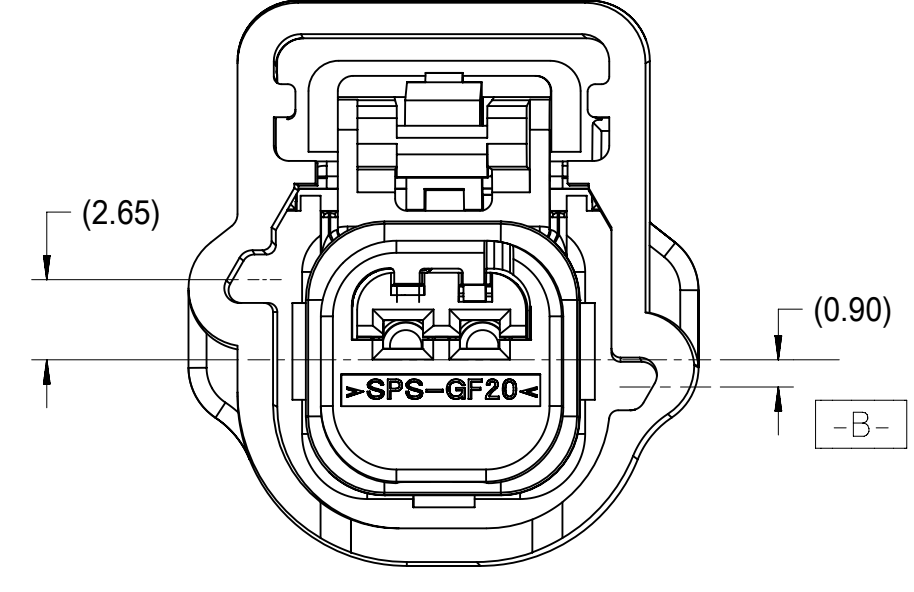
1X2



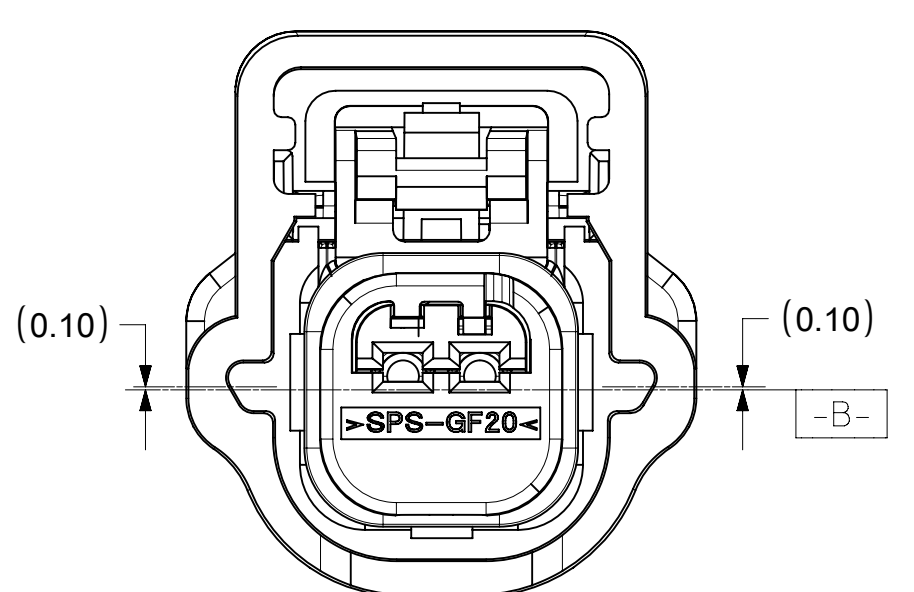
FRONT VIEW
POLARIZATION A



POLARIZATION B

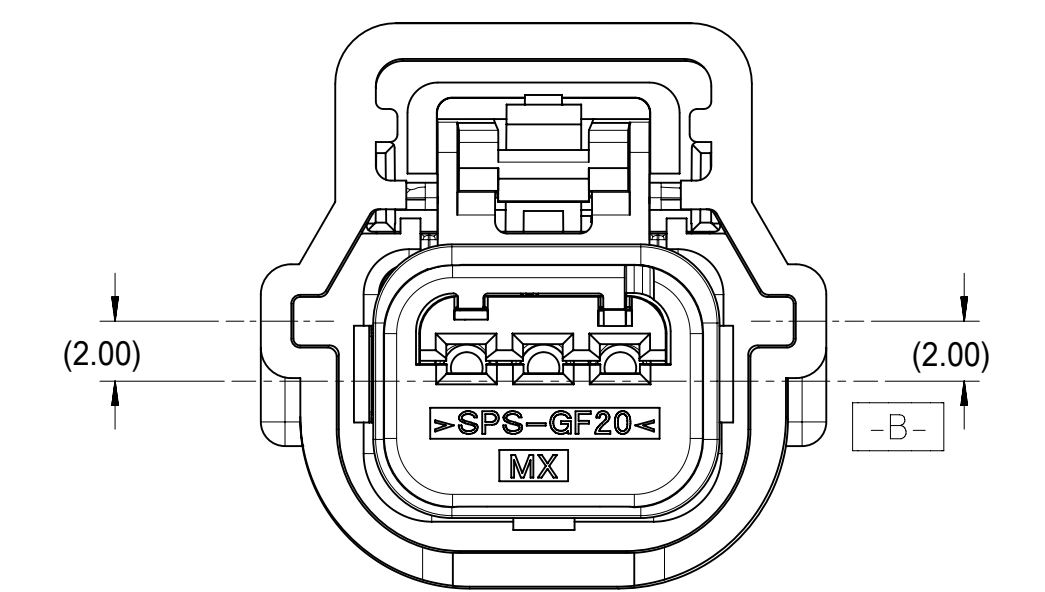


POLARIZATION C

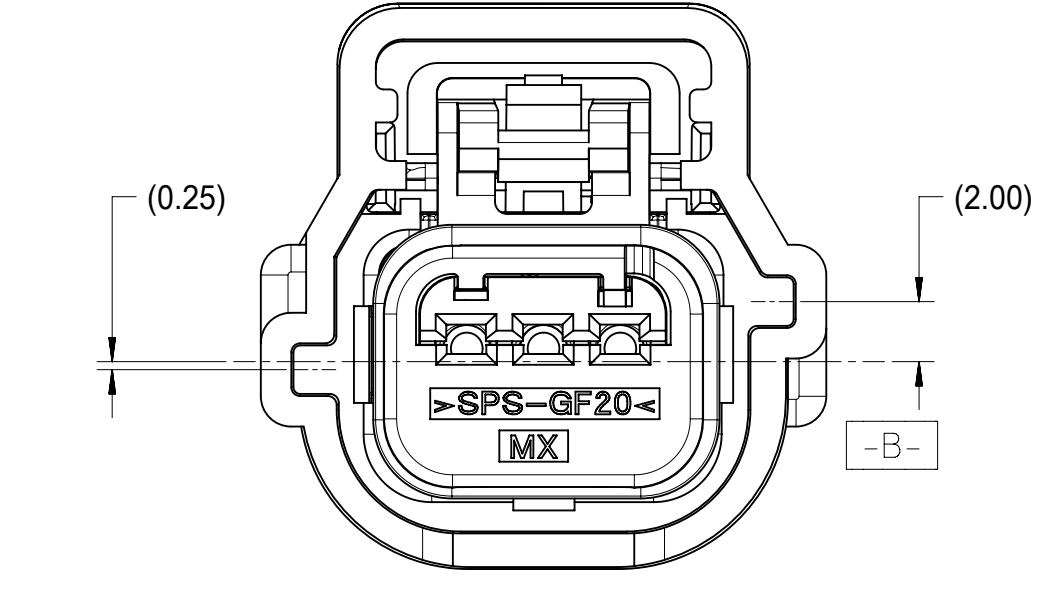


POLARIZATION D

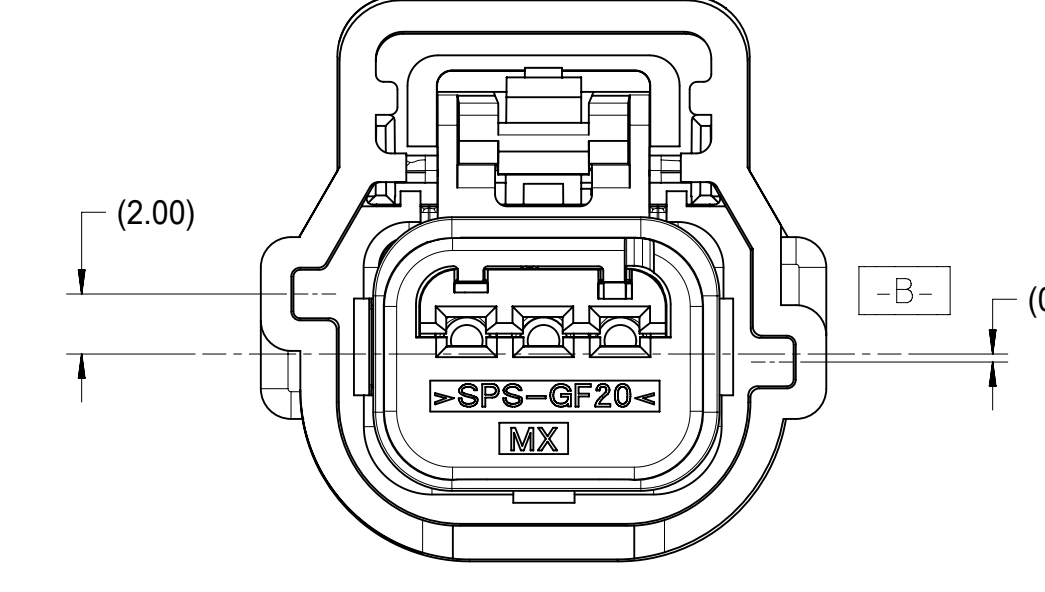
1X3



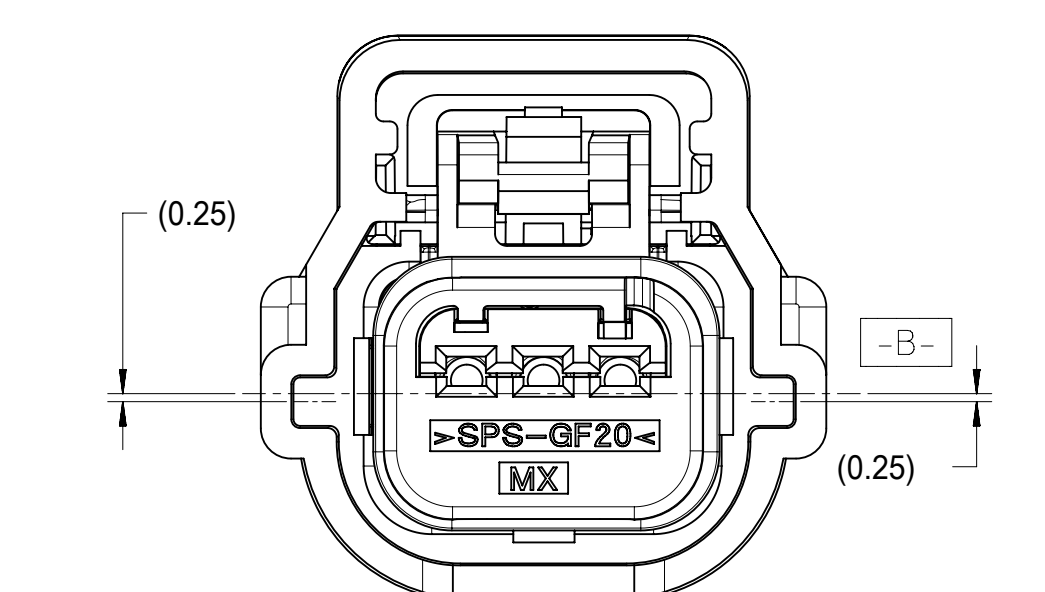
POLARIZATION A



POLARIZATION B

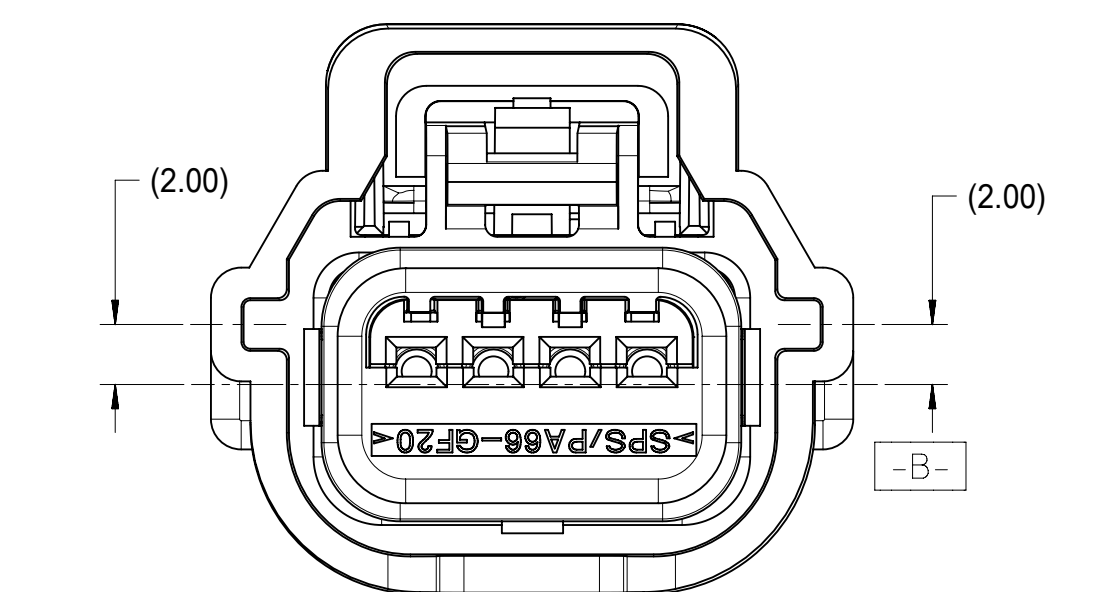


POLARIZATION C



POLARIZATION D

1X4



POLARIZATION A

KEY CONFIGURATIONS

| | | | |
|--|---|------------------------|---------------------------|
| FUNCTIONAL SYMBOLS | THIS DRAWING CONTAINS INFORMATION THAT IS PROPRIETARY TO MOLEX ELECTRONIC TECHNOLOGIES, LLC AND SHOULD NOT BE USED WITHOUT WRITTEN PERMISSION | | |
| | DIMENSION UNITS | SCALE | CURRENT REV DESC: |
| $\nabla_A = 0$ | mm | 1:1 | |
| DIVISIONAL SYMBOLS | GENERAL TOLERANCES (UNLESS SPECIFIED) | | |
| | ANGULAR TOL $\pm 3.0^\circ$ | | |
| | 4 PLACES | \pm | EC NO: 679773 |
| | 3 PLACES | \pm | DRWN: MCHEN37 2021/09/23 |
| | 2 PLACES | ± 0.13 | CHK'D: LSONG05 2021/10/08 |
| | 1 PLACE | ± 0.3 | APPR: CDZHANG 2021/10/11 |
| | 0 PLACES | \pm | INITIAL REVISION: |
| DRAFT WHERE APPLICABLE MUST REMAIN WITHIN DIMENSIONS | | THIRD ANGLE PROJECTION | DRWN: RCARLSON 2004/03/01 |
| | | DRAWING | APPR: PBERG 2004/09/30 |
| | | SERIES | |
| | | MATERIAL NUMBER | SD-31402-211 |
| | | CUSTOMER | GENERAL MARKET |
| | | DOC TYPE | PSD |
| | | DOC PART | 001 |
| | | REVISION | U7 |
| | | SHEET NUMBER | 4 OF 8 |

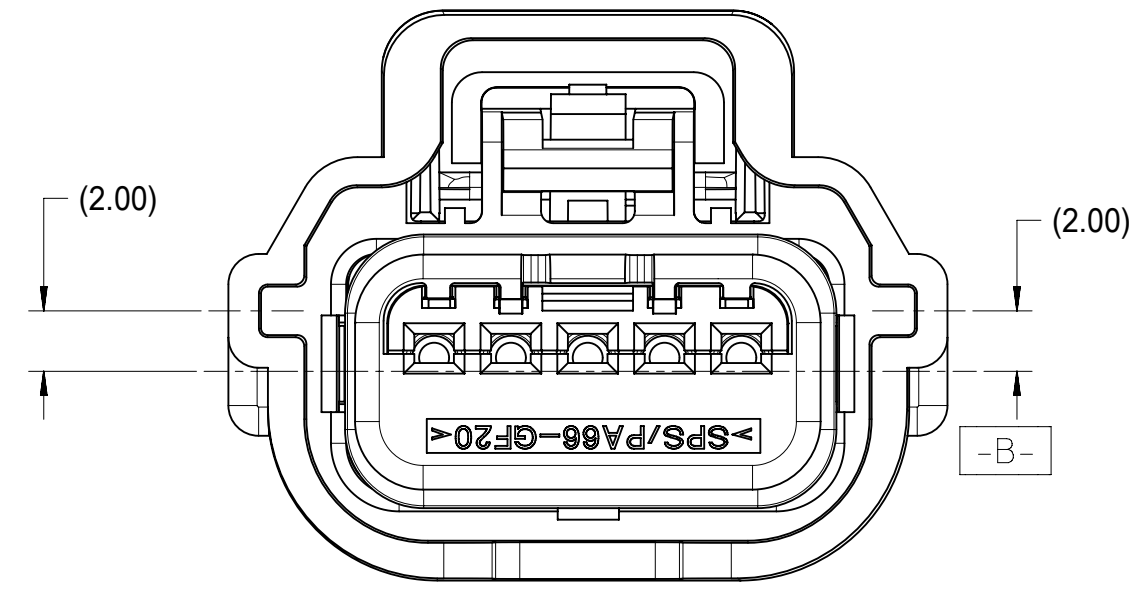
molex

0.64 USCAR CONNECTOR
SEALED SINGLE ROW ASSEMBLY

PRODUCT CUSTOMER DRAWING

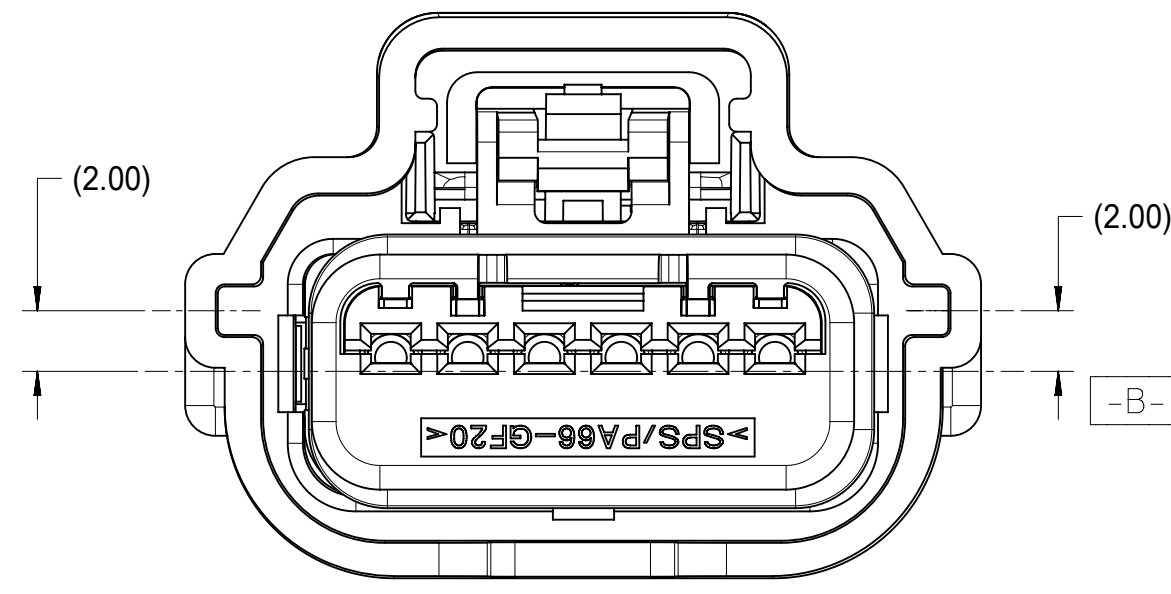
| | | | |
|-----------------|----|--------------|---------------------|
| DOCUMENT STATUS | P1 | RELEASE DATE | 2021/10/11 02:34:41 |
|-----------------|----|--------------|---------------------|

1X5

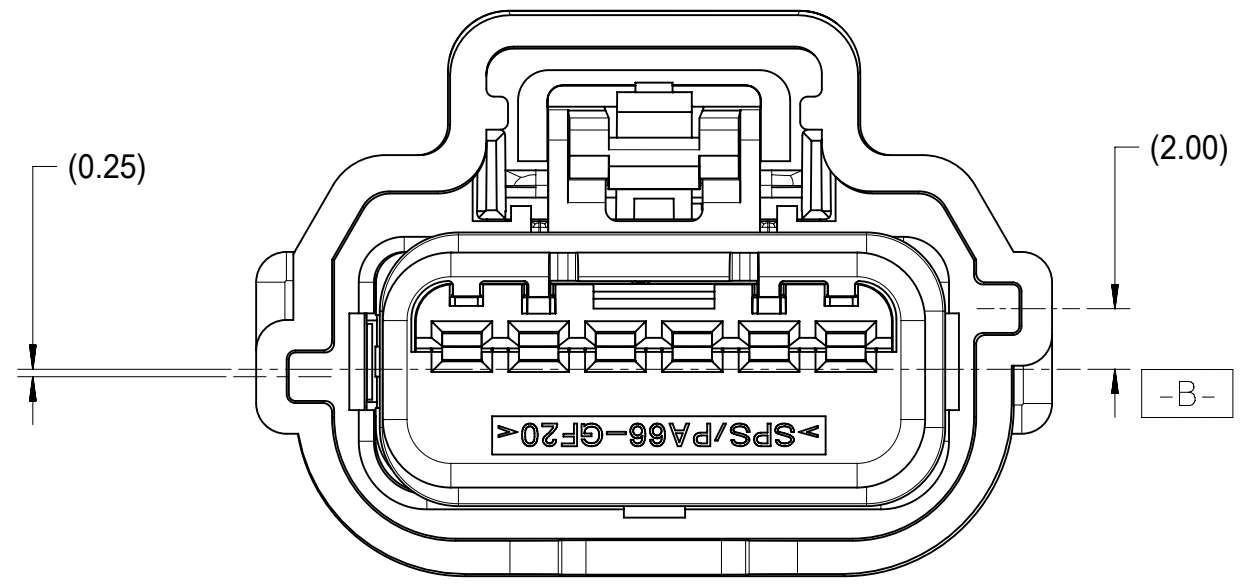


POLARIZATION A

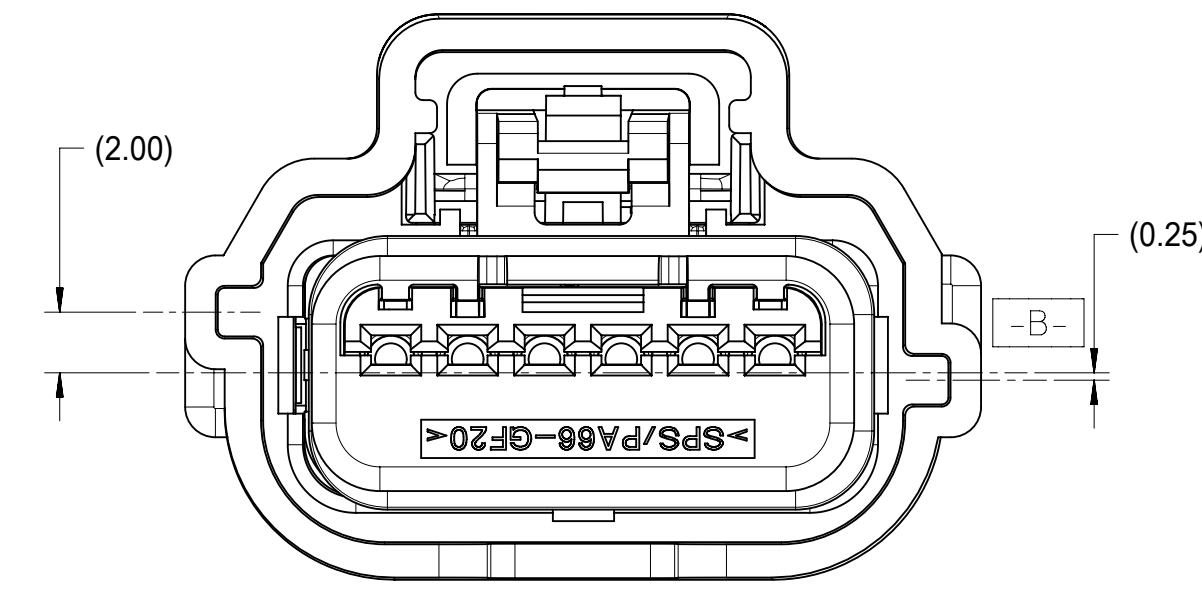
1X6



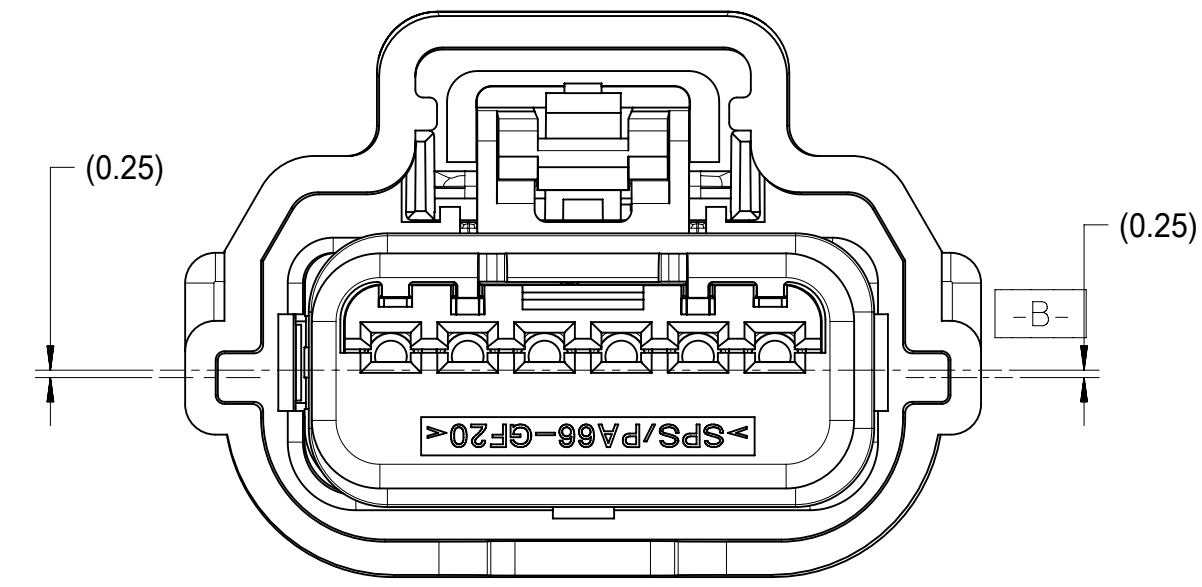
POLARIZATION A



POLARIZATION B

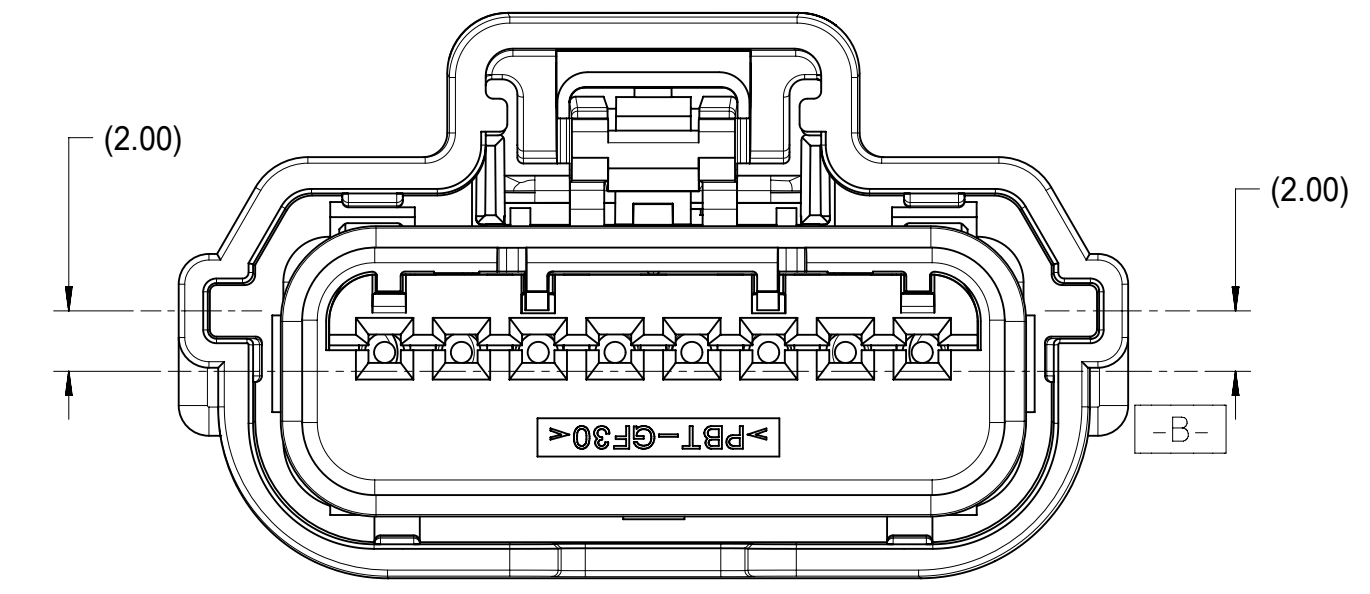


POLARIZATION C

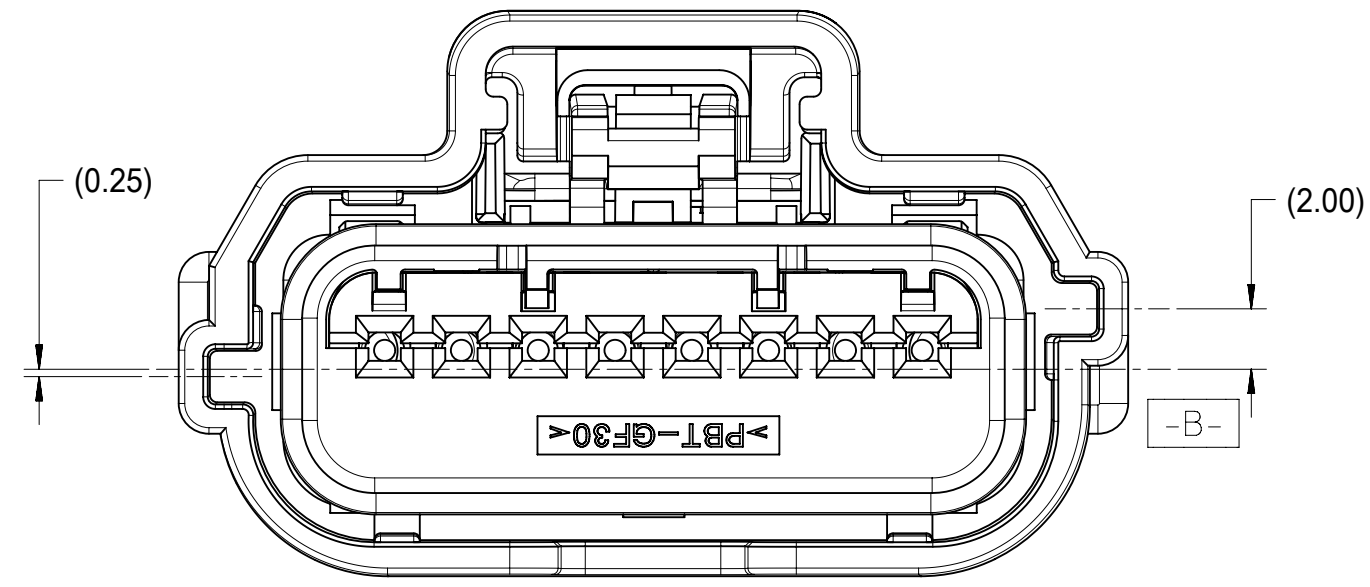


POLARIZATION D

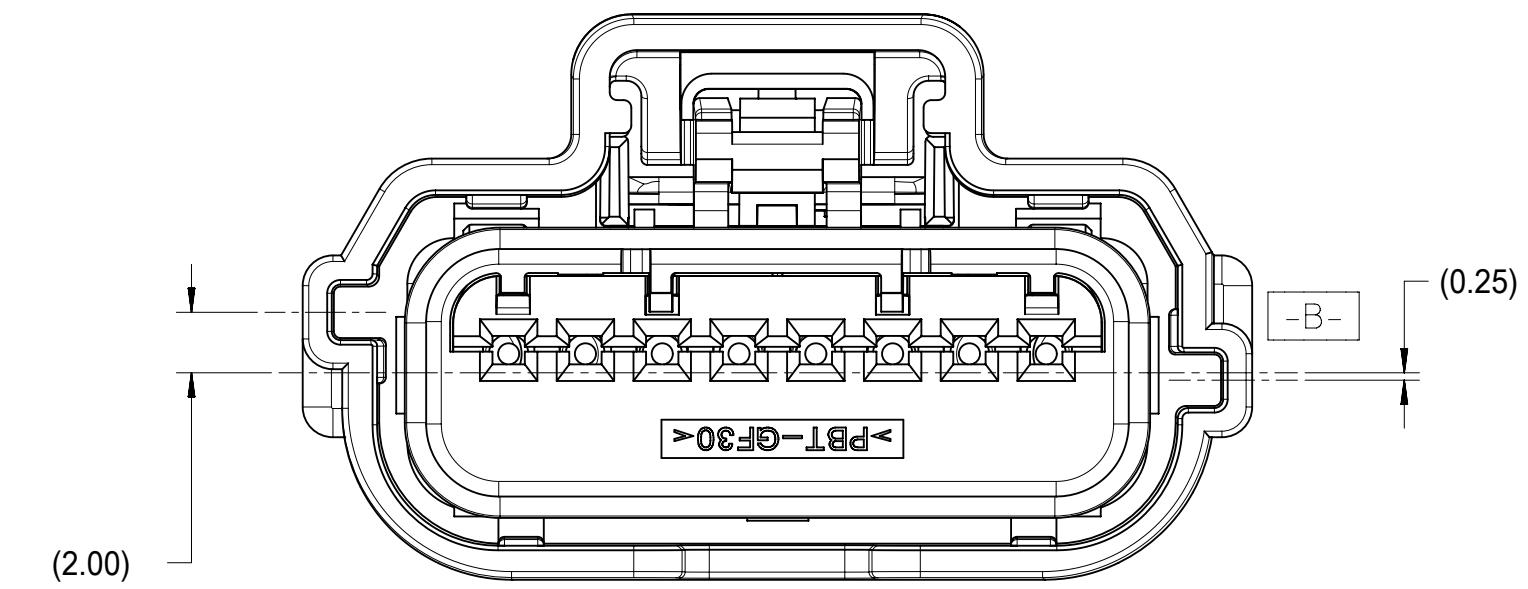
1X8



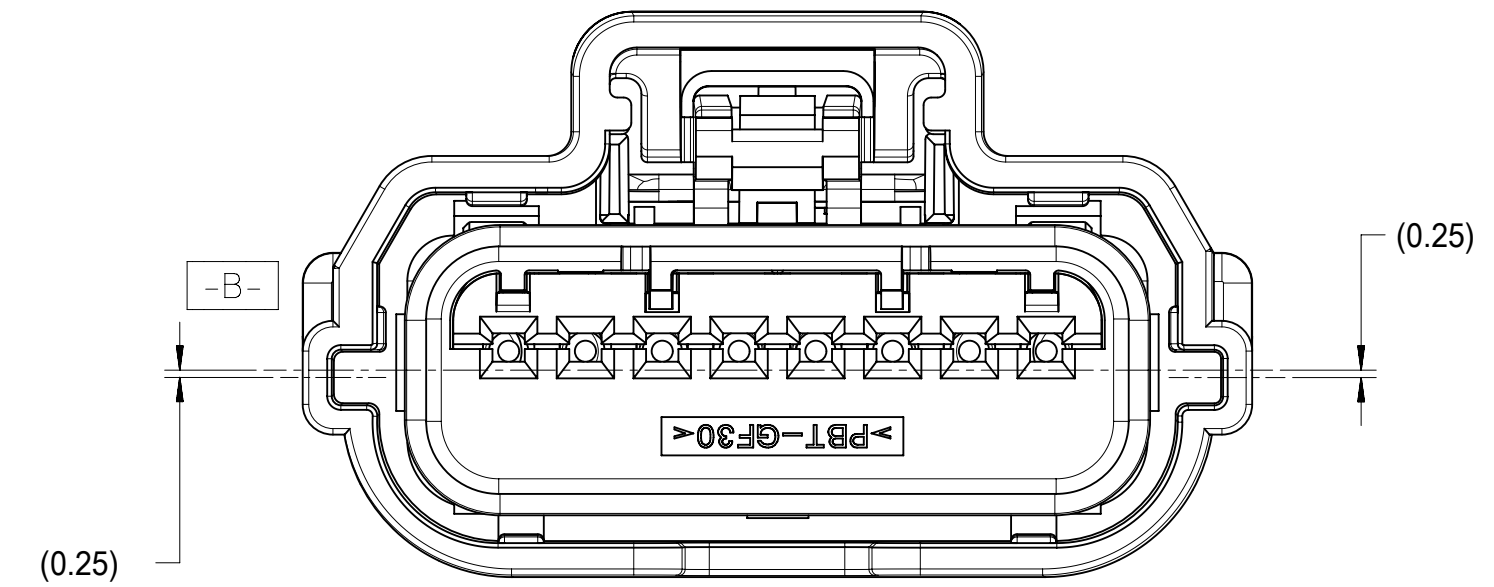
POLARIZATION A



POLARIZATION B



POLARIZATION C



POLARIZATION D

KEY CONFIGURATIONS

| | | | | | | | |
|--|---|---------------------------|----------------------------|--------|-----------------|----------------|--------------|
| FUNCTIONAL SYMBOLS FA = 0 FC = 0 FD = 0 | THIS DRAWING CONTAINS INFORMATION THAT IS PROPRIETARY TO MOLEX ELECTRONIC TECHNOLOGIES, LLC AND SHOULD NOT BE USED WITHOUT WRITTEN PERMISSION | | CURRENT REV DESC: | | | | |
| | DIMENSION UNITS mm | SCALE 1:1 | | | | | |
| DIVISIONAL SYMBOLS | GENERAL TOLERANCES (UNLESS SPECIFIED) | | EC NO: 679773 | | | | |
| | ANGULAR TOL ± 3.0° | | DRWN: MCHEN37 2021/09/23 | | | | |
| | 4 PLACES ± | CHK'D: LSONG05 2021/10/08 | | | | | |
| | 3 PLACES ± | APPR: CDZHANG 2021/10/11 | | | | | |
| | 2 PLACES ± 0.13 | INITIAL REVISION: | | | | | |
| 1 PLACE ± 0.3 | DRWN: RCARLSON 2004/03/01 | | DOCUMENT NUMBER | | | | |
| 0 PLACES ± | APPR: PBERG 2004/09/30 | | DOC TYPE DOC PART REVISION | | | | |
| DRAFT WHERE APPLICABLE MUST REMAIN WITHIN DIMENSIONS | | THIRD ANGLE PROJECTION | DRAWING | SERIES | MATERIAL NUMBER | CUSTOMER | SHEET NUMBER |
| | | | D-SIZE | 31402 | SD-31402-211 | GENERAL MARKET | 5 OF 8 |

molex

0.64 USCAR CONNECTOR
SEALED SINGLE ROW ASSEMBLY

PRODUCT CUSTOMER DRAWING

| | | | |
|-----------------|----------|----------|----------|
| DOCUMENT NUMBER | DOC TYPE | DOC PART | REVISION |
| SD-31402-211 | PSD | 001 | U7 |

| PART NUMBER WITHOUT CPA | PART NUMBER WITH CPA | CLIPSLOT OPTION | ROW/ CIRCUITS | KEY* | MATTE SEAL COLOR | PERIMETER SEAL COLOR | CONNECTOR COLOR | WIDTH DIM (A) | MIN. PASS THRU DIA. | FEMALE TERMINAL SUPPLIER | USCAR FOOTPRINT DRAWING NO. | STATUS | | | | | | | |
|-------------------------|----------------------|-----------------|---------------|------------|------------------|----------------------|-----------------|---------------|---------------------|--------------------------|-----------------------------|----------|-----|-------|-------|---------|------------------------|-----------------|------------|
| 31402-2100 | 31402-2110 | NO | 1 X 2 | A | ROYAL BLUE | BLUE | BLACK | 16.88 | (20.80) | TYCO OR MOLEX GET 0.64 | 064-S-002-1-Z02 | SALEABLE | | | | | | | |
| 31402-2200 | 31402-2210 | | | B | | | GRAY | | | | | SALEABLE | | | | | | | |
| 31402-2500 | 31402-2510 | | | B | | | BLACK | | | | | SALEABLE | | | | | | | |
| 31402-2600 | 31402-2610 | | | C | | | BLACK | | | | | SALEABLE | | | | | | | |
| 31402-2700 | 31402-2710 | | | D | | | BLACK | | | | | SALEABLE | | | | | | | |
| 31403-2000 | 31403-2010 | | | D | | | DK. GRAY | | | | | SALEABLE | | | | | | | |
| 31403-2100 | 31403-2110 | | | A | | | BLACK | | | | | SALEABLE | | | | | | | |
| 31403-2200 | 31403-2210 | | | B | | | GRAY | | | | | SALEABLE | | | | | | | |
| 31403-2500 | 31403-2510 | | | B | | | BLACK | | | | | SALEABLE | | | | | | | |
| 31403-2600 | 31403-2610 | | | C | | | BLACK | | | | | SALEABLE | | | | | | | |
| 31403-2700 | 31403-2710 | | | D | | | BLACK | | | SALEABLE | | | | | | | | | |
| 31403-2800 | 31403-2810 | | | C | | | NATURAL | | | SALEABLE | | | | | | | | | |
| 31403-2900 | 31403-2910 | | | D | | | GRAY | | | SALEABLE | | | | | | | | | |
| 31404-2100 | 31404-2110 | | | A | | | BLACK | | | NOT TOOLED | | | | | | | | | |
| 31404-2200 | 31404-2210 | | | B | | | GRAY | | | NOT TOOLED | | | | | | | | | |
| 31404-2300 | 31404-2310 | | | C | | | BROWN | | | NOT TOOLED | | | | | | | | | |
| 31404-2400 | 31404-2410 | | | D | | | GREEN | | | NOT TOOLED | | | | | | | | | |
| 31404-2500 | 31404-2510 | | | B | | | BLACK | | | NOT TOOLED | | | | | | | | | |
| 31404-2600 | 31404-2610 | | | C | | | BLACK | | | NOT TOOLED | | | | | | | | | |
| 31404-2700 | 31404-2710 | | | D | | | BLACK | | | NOT TOOLED | | | | | | | | | |
| 31402-3100 | 31402-3110 | NO | 1 X 3 | A | LIGHT BLUE | RUST RED | BLACK | 18.70 | (22.00) | TYCO OR MOLEX GET 0.64 | 064-S-003-1-Z01 | SALEABLE | | | | | | | |
| 31402-3200 | 31402-3210 | | | B | | | GRAY | | | | | SALEABLE | | | | | | | |
| 31402-3500 | 31402-3510 | | | B | | | BLACK | | | | | SALEABLE | | | | | | | |
| 31402-3600 | 31402-3610 | | | C | | | BLACK | | | | | SALEABLE | | | | | | | |
| 31402-3700 | 31402-3710 | | | D | | | BLACK | | | | | SALEABLE | | | | | | | |
| 31403-3000 | 31403-3010 | | | D | | | DK. GRAY | | | | | SALEABLE | | | | | | | |
| 31403-3100 | 31403-3110 | | | A | | | BLACK | | | | | SALEABLE | | | | | | | |
| 31403-3200 | 31403-3210 | | | B | | | GRAY | | | | | SALEABLE | | | | | | | |
| 31403-3500 | 31403-3510 | | | B | | | BLACK | | | | | SALEABLE | | | | | | | |
| 31403-3600 | 31403-3610 | | | C | | | BLACK | | | | | SALEABLE | | | | | | | |
| 31403-3700 | 31403-3710 | | | D | | | BLACK | | | SALEABLE | | | | | | | | | |
| 31403-3800 | 31403-3810 | | | C | | | NATURAL | | | SALEABLE | | | | | | | | | |
| 31404-3100 | 31404-3110 | | | A | | | BLACK | | | SALEABLE | | | | | | | | | |
| 31404-3200 | 31404-3210 | | | B | | | GRAY | | | SALEABLE | | | | | | | | | |
| 31404-3500 | 31404-3510 | | | B | | | BLACK | | | SALEABLE | | | | | | | | | |
| 31404-3600 | 31404-3610 | | | C | | | BLACK | | | SALEABLE | | | | | | | | | |
| 31404-3700 | 31404-3710 | | | D | | | BLACK | | | SALEABLE | | | | | | | | | |
| 31402-4100 | 31402-4110 | | | NO | | | 1 X 4 | | | A | | TBD | TBD | BLACK | 21.25 | (22.34) | TYCO OR MOLEX GET 0.64 | 064-S-004-1-Z02 | NOT TOOLED |
| 31402-4200 | 31402-4210 | | | | | | | | | B | | | | GRAY | | | | | NOT TOOLED |
| 31402-4300 | 31402-4310 | | | | | | | | | C | | | | BROWN | | | | | NOT TOOLED |
| 31402-4400 | 31402-4410 | D | GREEN | | NOT TOOLED | | | | | | | | | | | | | | |
| 31402-4500 | 31402-4510 | B | BLACK | | NOT TOOLED | | | | | | | | | | | | | | |
| 31402-4600 | 31402-4610 | C | BLACK | | NOT TOOLED | | | | | | | | | | | | | | |
| 31402-4700 | 31402-4710 | D | BLACK | | NOT TOOLED | | | | | | | | | | | | | | |
| 31403-4100 | 31403-4110 | A | BLACK | | NOT TOOLED | | | | | | | | | | | | | | |
| 31403-4200 | 31403-4210 | B | GRAY | | NOT TOOLED | | | | | | | | | | | | | | |
| 31403-4300 | 31403-4310 | C | BROWN | | NOT TOOLED | | | | | | | | | | | | | | |
| 31403-4400 | 31403-4410 | D | GREEN | | NOT TOOLED | | | | | | | | | | | | | | |
| 31403-4500 | 31403-4510 | B | BLACK | | NOT TOOLED | | | | | | | | | | | | | | |
| 31403-4600 | 31403-4610 | C | BLACK | | NOT TOOLED | | | | | | | | | | | | | | |
| 31403-4700 | 31403-4710 | D | BLACK | | NOT TOOLED | | | | | | | | | | | | | | |
| 31404-4100 | 31404-4110 | A | BLACK | | NOT TOOLED | | | | | | | | | | | | | | |
| 31404-4200 | 31404-4210 | B | GRAY | | NOT TOOLED | | | | | | | | | | | | | | |
| 31404-4300 | 31404-4310 | C | BROWN | | NOT TOOLED | | | | | | | | | | | | | | |
| 31404-4400 | 31404-4410 | D | GREEN | | NOT TOOLED | | | | | | | | | | | | | | |
| 31404-4500 | 31404-4510 | B | BLACK | | NOT TOOLED | | | | | | | | | | | | | | |
| 31404-4600 | 31404-4610 | C | BLACK | | NOT TOOLED | | | | | | | | | | | | | | |
| 31404-4700 | 31404-4710 | D | BLACK | NOT TOOLED | | | | | | | | | | | | | | | |


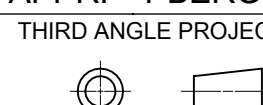
| | | | |
|--|---|------------------------|---|
| FUNCTIONAL SYMBOLS | THIS DRAWING CONTAINS INFORMATION THAT IS PROPRIETARY TO MOLEX ELECTRONIC TECHNOLOGIES, LLC AND SHOULD NOT BE USED WITHOUT WRITTEN PERMISSION | | |
| | DIMENSION UNITS | SCALE | CURRENT REV DESC: |
| $F_A = 0$ | mm | 1:1 | <p>EC NO: 679773 DRWN: MCHEN37 2021/09/23 CHK'D: LSONG05 2021/10/08 APPR: CDZHANG 2021/10/11</p> <p>INITIAL REVISION: DRWN: RCARLSON 2004/03/01 APPR: PBERG 2004/09/30</p> |
| $F_C = 0$ | GENERAL TOLERANCES (UNLESS SPECIFIED) | | |
| $F_P = 0$ | ANGULAR TOL $\pm 3.0^\circ$ | | |
| DIVISIONAL SYMBOLS | 4 PLACES | \pm | |
| | 3 PLACES | \pm | |
| | 2 PLACES | ± 0.13 | |
| | 1 PLACE | ± 0.3 | |
| | 0 PLACES | \pm | |
| DRAFT WHERE APPLICABLE MUST REMAIN WITHIN DIMENSIONS | | THIRD ANGLE PROJECTION | DRAWING |
| | | | D-SIZE |
| | | SERIES | 31402 |
| DOCUMENT STATUS | | P1 | RELEASE DATE |
| 2021/10/11 | | 02:34:41 | |
| DOCUMENT NUMBER | | DOC TYPE | DOC PART |
| SD-31402-211 | | PSD | 001 |
| REVISION | | U7 | |
| MATERIAL NUMBER | | CUSTOMER | SHEET NUMBER |
| | | GENERAL MARKET | 6 OF 8 |

| PART NUMBER WITHOUT CPA | PART NUMBER WITH CPA | CLIPSLLOT OPTION | ROW/ CIRCUITS | KEY* | MATTE SEAL COLOR | PERIMETER SEAL COLOR | CONNECTOR COLOR | WIDTH DIM (A) | MIN. PASS THRU DIA. | FEMALE TERMINAL SUPPLIER | USCAR FOOTPRINT DRAWING NO. | STATUS | | | | | | | |
|-------------------------|----------------------|------------------|---------------|------|------------------|----------------------|-----------------|---------------|---------------------|--------------------------|-----------------------------|------------|------------|-------|-------|---------|------------------------|-----------------|----------|
| 31402-5100 | 31402-5110 | NO | 1 X 5 | A | TBD | TBD | BLACK | 23.80 | (24.28) | TYCO OR MOLEX GET 0.64 | 064-S-005-1-Z02 | NOT TOOLED | | | | | | | |
| 31402-5200 | 31402-5210 | | | B | | | GRAY | | | | | NOT TOOLED | | | | | | | |
| 31402-5300 | 31402-5310 | | | C | | | BROWN | | | | | NOT TOOLED | | | | | | | |
| 31402-5400 | 31402-5410 | | | D | | | GREEN | | | | | NOT TOOLED | | | | | | | |
| 31402-5500 | 31402-5510 | | | B | | | BLACK | | | | | NOT TOOLED | | | | | | | |
| 31402-5600 | 31402-5610 | | | C | | | BLACK | | | | | NOT TOOLED | | | | | | | |
| 31402-5700 | 31402-5710 | | | D | | | BLACK | | | | | NOT TOOLED | | | | | | | |
| 31403-5100 | 31403-5110 | | | A | | | BLACK | | | | | NOT TOOLED | | | | | | | |
| 31403-5200 | 31403-5210 | | | B | | | GRAY | | | | | NOT TOOLED | | | | | | | |
| 31403-5300 | 31403-5310 | | | C | | | BROWN | | | | | NOT TOOLED | | | | | | | |
| 31403-5400 | 31403-5410 | | | D | | | GREEN | | | | | NOT TOOLED | | | | | | | |
| 31403-5500 | 31403-5510 | | | B | | | BLACK | | | | | NOT TOOLED | | | | | | | |
| 31403-5600 | 31403-5610 | | | C | | | BLACK | | | NOT TOOLED | | | | | | | | | |
| 31403-5700 | 31403-5710 | | | D | | | BLACK | | | NOT TOOLED | | | | | | | | | |
| 31404-5100 | 31404-5110 | | | A | | | BLACK | | | NOT TOOLED | | | | | | | | | |
| 31404-5200 | 31404-5210 | | | B | | | GRAY | | | NOT TOOLED | | | | | | | | | |
| 31404-5300 | 31404-5310 | | | C | | | BROWN | | | NOT TOOLED | | | | | | | | | |
| 31404-5400 | 31404-5410 | | | D | | | GREEN | | | NOT TOOLED | | | | | | | | | |
| 31404-5500 | 31404-5510 | | | B | | | BLACK | | | NOT TOOLED | | | | | | | | | |
| 31404-5600 | 31404-5610 | | | C | | | BLACK | | | NOT TOOLED | | | | | | | | | |
| 31404-5700 | 31404-5710 | | | D | | | BLACK | | | NOT TOOLED | | | | | | | | | |
| 31402-6100 | 31402-6110 | | | NO | | | 1 X 6 | | | A | | ROYAL BLUE | LIGHT BLUE | BLACK | 26.33 | (26.82) | TYCO OR MOLEX GET 0.64 | 064-S-006-1-Z02 | SALEABLE |
| 31402-6200 | 31402-6210 | | | | | | | | | B | | | | GRAY | | | | | SALEABLE |
| 31402-6500 | 31402-6510 | | | | | | | | | B | | | | BLACK | | | | | SALEABLE |
| 31402-6600 | 31402-6610 | C | BLACK | | SALEABLE | | | | | | | | | | | | | | |
| 31402-6700 | 31402-6710 | D | BLACK | | SALEABLE | | | | | | | | | | | | | | |
| U6 31402-6001 | 31402-6004 | A | GRAY | | SALEABLE | | | | | | | | | | | | | | |
| U6 31402-6002 | 31402-6005 | C | GRAY | | SALEABLE | | | | | | | | | | | | | | |
| U6 31402-6003 | 31402-6006 | D | GRAY | | SALEABLE | | | | | | | | | | | | | | |
| 31403-6100 | 31403-6110 | A | BLACK | | SALEABLE | | | | | | | | | | | | | | |
| 31403-6200 | 31403-6210 | B | GRAY | | SALEABLE | | | | | | | | | | | | | | |
| 31403-6500 | 31403-6510 | B | BLACK | | SALEABLE | | | | | | | | | | | | | | |
| 31403-6600 | 31403-6610 | C | BLACK | | SALEABLE | | | | | | | | | | | | | | |
| 31403-6700 | 31403-6710 | D | BLACK | | SALEABLE | | | | | | | | | | | | | | |
| U6 31403-6001 | 31403-6004 | A | GRAY | | SALEABLE | | | | | | | | | | | | | | |
| U6 31403-6002 | 31403-6005 | C | GRAY | | SALEABLE | | | | | | | | | | | | | | |
| U6 31403-6003 | 31403-6006 | D | GRAY | | SALEABLE | | | | | | | | | | | | | | |
| 31404-7100 | 31404-7110 | A | BLACK | | SALEABLE | | | | | | | | | | | | | | |
| 31404-7200 | 31404-7210 | B | GRAY | | SALEABLE | | | | | | | | | | | | | | |
| 31404-7500 | 31404-7510 | B | BLACK | | SALEABLE | | | | | | | | | | | | | | |
| 31404-7600 | 31404-7610 | C | BLACK | | SALEABLE | | | | | | | | | | | | | | |
| 31404-7700 | 31404-7710 | D | BLACK | | SALEABLE | | | | | | | | | | | | | | |
| 31404-7800 | 31404-7810 | C | NATURAL | | SALEABLE | | | | | | | | | | | | | | |
| U6 31404-7001 | 31404-7007 | A | GRAY | | SALEABLE | | | | | | | | | | | | | | |
| U6 31404-7002 | 31404-7008 | C | GRAY | | SALEABLE | | | | | | | | | | | | | | |
| U6 31404-7003 | 31404-7009 | D | GRAY | | SALEABLE | | | | | | | | | | | | | | |
| U6 31404-7004 | 31404-7010 | A | NATURAL | | SALEABLE | | | | | | | | | | | | | | |
| U6 31404-7005 | 31404-7011 | B | NATURAL | | SALEABLE | | | | | | | | | | | | | | |
| U6 31404-7006 | 31404-7012 | D | NATURAL | | SALEABLE | | | | | | | | | | | | | | |

| | | | | | |
|--------------------|---|-------|---------------------------|--|--|
| FUNCTIONAL SYMBOLS | THIS DRAWING CONTAINS INFORMATION THAT IS PROPRIETARY TO MOLEX ELECTRONIC TECHNOLOGIES, LLC AND SHOULD NOT BE USED WITHOUT WRITTEN PERMISSION | | CURRENT REV DESC: | | molex |
| | DIMENSION UNITS | SCALE | | | |
| $F_A = 0$ | mm | 1:1 | | | 0.64 USCAR CONNECTOR SEALED SINGLE ROW ASSEMBLY |
| $F_C = 0$ | GENERAL TOLERANCES (UNLESS SPECIFIED) | | | | |
| $F_P = 0$ | ANGULAR TOL ± 3.0° | | | | PRODUCT CUSTOMER DRAWING |
| DIVISIONAL SYMBOLS | 4 PLACES ± | | EC NO: 679773 | | |
| | 3 PLACES ± | | DRWN: MCHEN37 2021/09/23 | | |
| | 2 PLACES ± 0.13 | | CHK'D: LSONG05 2021/10/08 | | |
| | 1 PLACE ± 0.3 | | APPR: CDZHANG 2021/10/11 | | |
| | 0 PLACES ± | | INITIAL REVISION: | | |
| | DRAFT WHERE APPLICABLE MUST REMAIN WITHIN DIMENSIONS | | DRWN: RCARLSON 2004/03/01 | | DOCUMENT NUMBER SD-31402-211 |
| | THIRD ANGLE PROJECTION | | APPR: PBERG 2004/09/30 | | |
| | D-DRAWING | | SERIES | | DOC TYPE PSD |
| | D-SIZE | | 31402 | | DOC PART 001 |
| | | | | | REVISION U7 |
| | | | | | MATERIAL NUMBER GENERAL MARKET |
| | | | | | CUSTOMER 7 OF 8 |
| | | | | | SHEET NUMBER |

ADDITIONAL CAVITY PLUG CONFIGURATIONS:

| ROW/ CIRCUITS | FEMALE TERMINAL | MOLEX P/N WITH CPA | MOLEX P/N WITHOUT CPA | KEY OPTION | CLIPSLOT OPTION | COLOR | CIRCUIT NUMBER: "0" INDICATED PLUG LOCATION | | | | | | TOTAL CIRCUITS PLUGGED | STATUS |
|------------------|---|-----------------------|--------------------------|---------------|--------------------|-------|--|---|---|---|---|---------------|---------------------------|---------------|
| | | | | | | | 1 | 2 | 3 | 4 | 5 | 6 | | |
| 1X6 | TYCO/MOLEX GET | 31402-6110 | 31402-6100 | A | NO | BLACK | | | | | | | 0 | SALEABLE |
| | | 31402-6111 | 31402-6101 | A | NO | BLACK | 0 | 0 | 0 | 0 | 0 | 0 | 6 | SALEABLE |
| | | 31402-6112 | 31402-6102 | A | NO | BLACK | 0 | 0 | | | | | 2 | SALEABLE |
| | | 31402-6113 | 31402-6103 | A | NO | BLACK | | 0 | | | | | 1 | SALEABLE |
| | | 31402-6114 | 31402-6104 | A | NO | BLACK | 0 | 0 | 0 | 0 | | | 4 | SALEABLE |
| | | 31402-6115 | 31402-6105 | A | NO | BLACK | | | 0 | | 0 | 0 | 3 | SALEABLE |
| | | 31402-6118 | 31402-6108 | A | NO | BLACK | | | | | 0 | | 1 | SALEABLE |
| | | 31402-6119 | 31402-6109 | A | NO | BLACK | | | 0 | | | | 1 | SALEABLE |
| | | 31402-6131 | 31402-6121 | A | NO | BLACK | | | | 0 | | | 1 | SALEABLE (S) |
| | | 31402-6132 | 31402-6122 | A | NO | BLACK | 0 | 0 | 0 | | | | 3 | SALEABLE (U5) |
| | | 31402-6133 | 31402-6123 | A | NO | BLACK | | | | 0 | 0 | 0 | 3 | SALEABLE (U5) |
| | | 31402-6150 | 31402-6140 | A | YES | BLACK | | | | | | | 0 | SALEABLE |
| | | 31402-6211 | 31402-6201 | B | NO | GRAY | 0 | 0 | 0 | 0 | 0 | 0 | 6 | SALEABLE (T4) |
| | | 31402-6511 | 31402-6501 | B | NO | BLACK | 0 | 0 | 0 | 0 | 0 | 0 | 6 | SALEABLE (T4) |
| | 31402-6611 | 31402-6601 | C | NO | BLACK | 0 | 0 | 0 | 0 | 0 | 0 | 6 | SALEABLE (T4) | |
| | 31402-6711 | 31402-6701 | D | NO | BLACK | 0 | 0 | 0 | 0 | 0 | 0 | 6 | SALEABLE (T4) | |
| | 31402-6134 | 31402-6124 | A | NO | BLACK | 0 | 0 | | | 0 | 0 | 4 | SALEABLE (U7) | |
| | MOLEX 0.64 | 31403-6110 | 31403-6100 | A | NO | BLACK | | | | | | | 0 | SALEABLE |
| | | 31403-6111 | 31403-6101 | A | NO | BLACK | 0 | 0 | 0 | 0 | 0 | 0 | 6 | SALEABLE |
| | | 31403-6112 | 31403-6102 | A | NO | BLACK | | | 0 | | | | 1 | SALEABLE |
| | | 31403-6113 | 31403-6103 | A | NO | BLACK | 0 | 0 | 0 | | 0 | | 4 | SALEABLE |
| | | 31403-6114 | 31403-6104 | A | NO | BLACK | | | | | 0 | 0 | 2 | SALEABLE |
| | | 31403-6115 | 31403-6105 | A | NO | BLACK | | | 0 | | 0 | 0 | 3 | SALEABLE (U5) |
| | | 31403-6211 | 31403-6201 | B | NO | GRAY | 0 | 0 | 0 | 0 | 0 | 0 | 6 | SALEABLE (T4) |
| | | 31403-6212 | 31403-6202 | B | NO | GRAY | | | | 0 | 0 | 0 | 3 | SALEABLE |
| | | 31403-6511 | 31403-6501 | B | NO | BLACK | 0 | 0 | 0 | 0 | 0 | 0 | 6 | SALEABLE (T4) |
| | | 31403-6512 | 31403-6502 | B | NO | BLACK | | | | 0 | | | 1 | SALEABLE (U5) |
| | YAZAKI KAIZEN 0.64 TE GEN Y 0.64 JST AIT 0.64 | 31403-6611 | 31403-6601 | C | NO | BLACK | 0 | 0 | 0 | 0 | 0 | 0 | 6 | SALEABLE (T4) |
| | | 31403-6711 | 31403-6701 | D | NO | BLACK | 0 | 0 | 0 | 0 | 0 | 0 | 6 | SALEABLE (T4) |
| | | 31404-7110 | 31404-7100 | A | NO | BLACK | | | | | | | 0 | SALEABLE |
| | | 31404-7111 | 31404-7101 | A | NO | BLACK | 0 | 0 | 0 | 0 | 0 | 0 | 6 | SALEABLE |
| | | 31404-7112 | 31404-7102 | A | NO | BLACK | 0 | | 0 | | | | 2 | SALEABLE |
| | | 31404-7113 | 31404-7103 | A | NO | BLACK | 0 | | | | | 0 | 2 | SALEABLE |
| | | 31404-7116 | 31404-7107 | A | NO | BLACK | 0 | | 0 | | | 0 | 3 | SALEABLE |
| 31404-7118 | | 31404-7108 | A | NO | BLACK | 0 | | | | | | 1 | SALEABLE | |
| 31404-7119 | | 31404-7109 | A | NO | BLACK | | | 0 | | 0 | 0 | 3 | SALEABLE | |
| 31404-7132 | | 31404-7122 | A | NO | BLACK | | | 0 | | | | 1 | SALEABLE | |
| 31404-7133 | | 31404-7123 | A | NO | BLACK | | 0 | | | | | 1 | SALEABLE (T5) | |
| 31404-7134 | | 31404-7124 | A | NO | BLACK | | | | 0 | | 0 | 2 | SALEABLE (T6) | |
| 31404-7135 | | 31404-7125 | A | NO | BLACK | | 0 | | 0 | | | 2 | SALEABLE (T7) | |
| 31404-7136 | | 31404-7126 | A | NO | BLACK | | | | 0 | 0 | | 2 | SALEABLE (U2) | |
| 31404-7213 | | 31404-7203 | B | NO | GRAY | 0 | | | | 0 | | 2 | SALEABLE | |
| 31404-7214 | | 31404-7204 | B | NO | GRAY | | | | | | 0 | 1 | SALEABLE (T6) | |
| 31404-7215 | 31404-7205 | B | NO | GRAY | | 0 | | | | | 1 | SALEABLE (T7) | | |
| 31404-7216 | 31404-7206 | B | NO | GRAY | | 0 | | | 0 | 0 | 3 | SALEABLE | | |
| 31404-7812 | 31404-7802 | C | NO | NATURAL | | | | 0 | 0 | 0 | 3 | SALEABLE (T6) | | |
| 31404-7813 | 31404-7803 | C | NO | NATURAL | | 0 | | | | | 1 | SALEABLE (T8) | | |
| 31404-7814 | 31404-7804 | C | NO | NATURAL | | 0 | | | 0 | 0 | 3 | SALEABLE (T5) | | |
| 31404-7912 | 31404-7902 | D | NO | GRAY | | 0 | | | | | 1 | SALEABLE (T7) | | |
| 31404-7913 | 31404-7903 | D | NO | GRAY | | 0 | | 0 | | | 2 | SALEABLE | | |
| 1X2 | TYCO/MOLEX GET | 31402-2111 | 31402-2101 | A | NO | BLACK | 0 | 0 | | | | 2 | SALEABLE (U7) | |
| 1X3 | TYCO/MOLEX GET | 31402-3113 | 31402-3103 | A | NO | BLACK | | | 0 | | | 1 | SALEABLE | |
| | | 31402-3114 | 31402-3104 | A | NO | BLACK | 0 | | | | | 1 | SALEABLE (T4) | |
| | | 31402-3115 | 31402-3105 | A | NO | BLACK | | 0 | | | | 1 | SALEABLE (U1) | |
| | MOLEX 0.64 | 31403-3132 | 31403-3122 | A | NO | GRAY | | 0 | | | | 1 | SALEABLE (P) | |
| | YAZAKI KAIZEN 0.64, TE GEN Y 0.64, JST AIT 0.64 | 31404-3112 | 31404-3102 | A | NO | BLACK | | 0 | | | | 1 | SALEABLE (R) | |

| | | | | | |
|--|---|---|--|---|--|
| FUNCTIONAL SYMBOLS FA = 0 FC = 0 FP = 0 | THIS DRAWING CONTAINS INFORMATION THAT IS PROPRIETARY TO MOLEX ELECTRONIC TECHNOLOGIES, LLC AND SHOULD NOT BE USED WITHOUT WRITTEN PERMISSION | | CURRENT REV DESC: | |  <p>0.64 USCAR CONNECTOR SEALED SINGLE ROW ASSEMBLY</p> |
| | DIMENSION UNITS: mm | SCALE: 1:1 | EC NO: 679773 DRWN: MCHEN37 2021/09/23 CHK'D: LSONG05 2021/10/08 APPR: CDZHANG 2021/10/11 | | |
| DIVISIONAL SYMBOLS | GENERAL TOLERANCES (UNLESS SPECIFIED) | | INITIAL REVISION: | | DOCUMENT NUMBER: SD-31402-211 DOC TYPE: PSD DOC PART: 001 REVISION: U7 |
| | ANGULAR TOL ± 3.0° | | DRWN: RCARLSON 2004/03/01 APPR: PBERG 2004/09/30 | | |
| 4 PLACES ± | | 0 PLACES ± | | DRAFT WHERE APPLICABLE MUST REMAIN WITHIN DIMENSIONS | |
| 3 PLACES ± | | THIRD ANGLE PROJECTION | | DRAWING: D-SIZE SERIES: 31402 | |
| 2 PLACES ± 0.13 | |  | | MATERIAL NUMBER: GENERAL MARKET SHEET NUMBER: 8 OF 8 | |
| 1 PLACE ± 0.3 | | | | | |