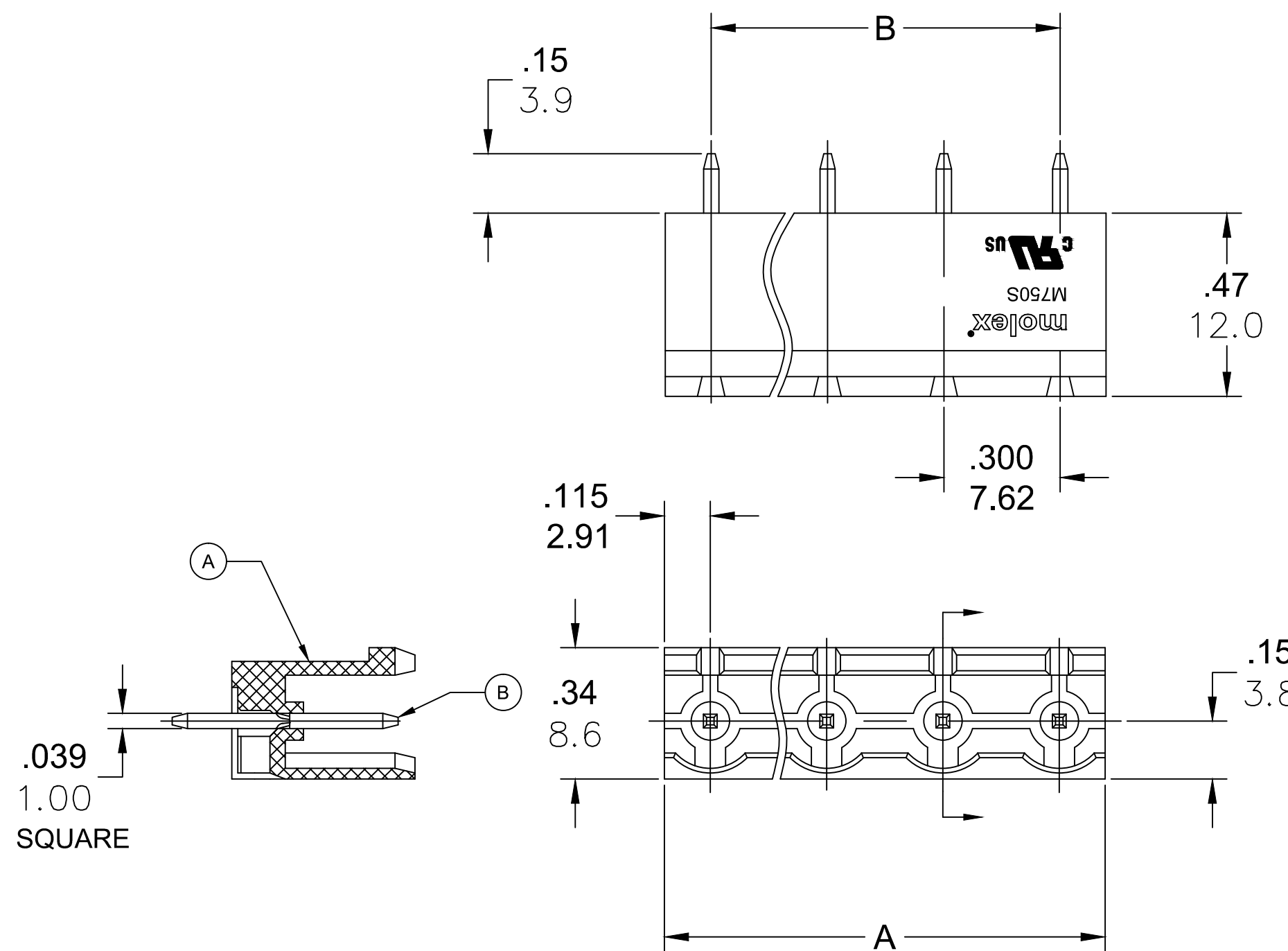
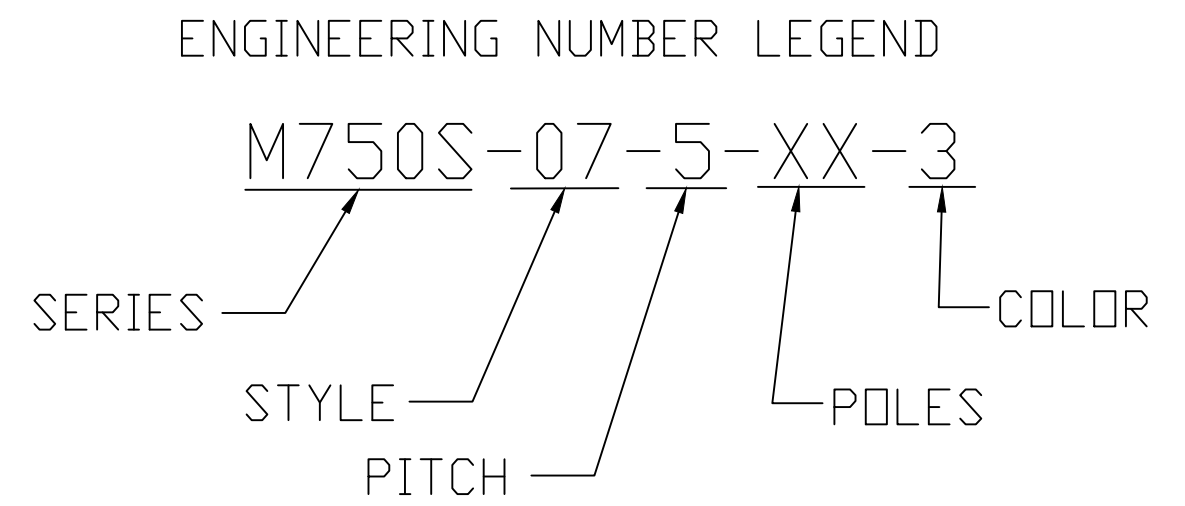


PART NUMBER DATA							
CIRCUITS	PART NUMBER	ENGINEERING NUMBER	COLOR	A IN mm		B IN mm	
2	397310002	M750S-07-5-02-3	GREEN	.53	13.4	.300	7.62
3	397310003	M750S-07-5-03-3	GREEN	.83	21.1	.600	15.24
4	397310004	M750S-07-5-04-3	GREEN	1.13	28.7	.900	22.86
5	397310005	M750S-07-5-05-3	GREEN	1.43	36.3	1.200	30.48
6	397310006	M750S-07-5-06-3	GREEN	1.73	43.9	1.500	38.10
7	397310007	M750S-07-5-07-3	GREEN	2.03	51.5	1.800	45.72
8	397310008	M750S-07-5-08-3	GREEN	2.33	59.2	2.100	53.34
9	397310009	M750S-07-5-09-3	GREEN	2.63	66.8	2.400	60.96
10	397310010	M750S-07-5-10-3	GREEN	2.93	74.4	2.700	68.58
11	397310011	M750S-07-5-11-3	GREEN	3.23	82.0	3.000	76.20
12	397310012	M750S-07-5-12-3	GREEN	3.53	89.6	3.300	83.82

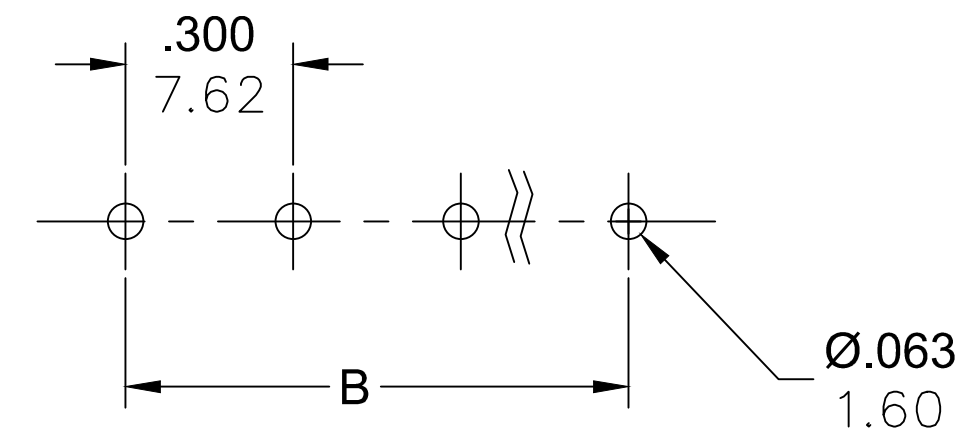


REF. LAST 2 DIGITS OF PART NUMBER EQUALS NUMBER OF POLES



CONTACT FACTORY FOR OPTIONAL COLORS

PCB LAYOUT



SPECIFICATIONS:

- MATERIAL:
 - A. BODY: PA66, UL94 V-0
 - B. TERMINAL: BRASS, TIN PLATED
- RATING: 15A AT 51-150V, 10A AT 151-300V
- OPERATING TEMPERATURE: -40°C + 105°C
- DIELECTRIC VOLTAGE WITHSTAND: AC 2500V FOR 1 MINUTE
- INSULATION RESISTANCE: DC 500V, 500MΩ
- RATED IMPULSE VOLTAGE: 4000V, PLUS AND MINUS 5 TIMES EACH
- MAX SOLDERING TEMP: 260°C (500°F) FOR 5 SECONDS
- DIMS SHOWN ARE FOR REFERENCE ONLY

TOLERANCES			
MM	TOL	INCH	TOL
0-6	±0.25	0-.24	±.010
>6-30	±0.40	.24-1.18	±.016
>30-120	±0.50	1.18-4.76	±.020
>120	±0.80	>4.76	±.031

REVISED DOC TOL EC NO.: IPG2017-0881 DRWN: ABENJAMI 4/6/17 CHKD: --- APPR: BRUPERT 2014/10/16 REV: A1	QUALITY SYMBOL ▽=0 ▽C=0	GENERAL TOLERANCES (UNLESS SPECIFIED) mm INCH 4 PLACES ±--- ±--- 3 PLACES ±--- ±--- 2 PLACES ±--- ±--- 1 PLACE ±--- ±--- ANGULAR ±---° DRAFT WHERE APPLICABLE MUST REMAIN WITHIN DIMENSIONS	DIMENSION STYLE IN/MM DRAWN BY DATE RSTONE 2014/03/21 CHECKED BY DATE G FARNSW APPROVED BY DATE JFMURPHY 2014/10/16 MATERIAL NO. SEE CHART SIZE C	SCALE --- DESIGN UNITS METRIC THIRD ANGLE PROJECTION TITLE 7.62MM EURO HEADER VERTICAL OPEN ENDS MOLEX INCORPORATED DOCUMENT NO. SD-39731-001 SHEET NO. 1 OF 1
	THIS DRAWING CONTAINS INFORMATION THAT IS PROPRIETARY TO MOLEX INCORPORATED AND SHOULD NOT BE USED WITHOUT WRITTEN PERMISSION			