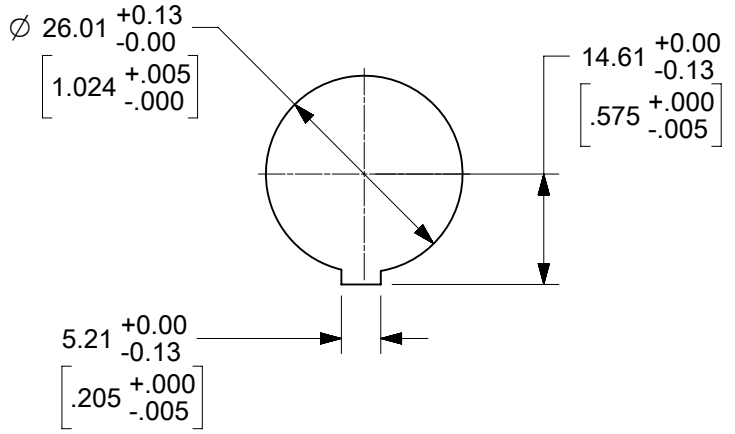
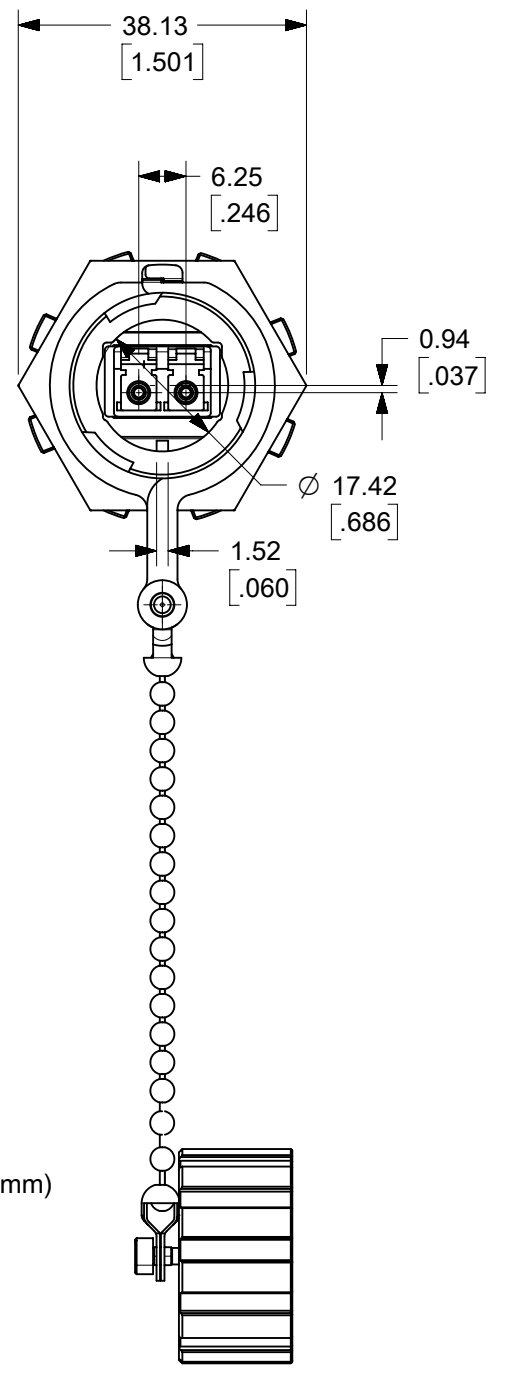
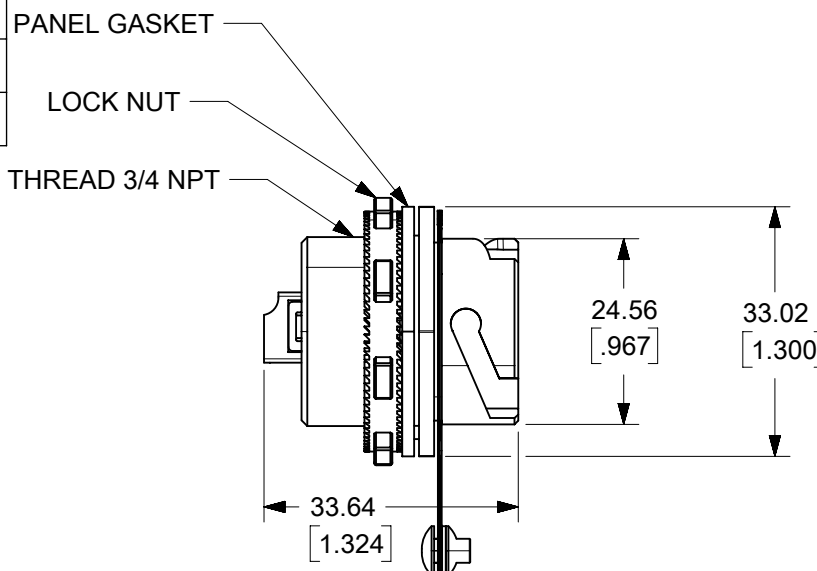
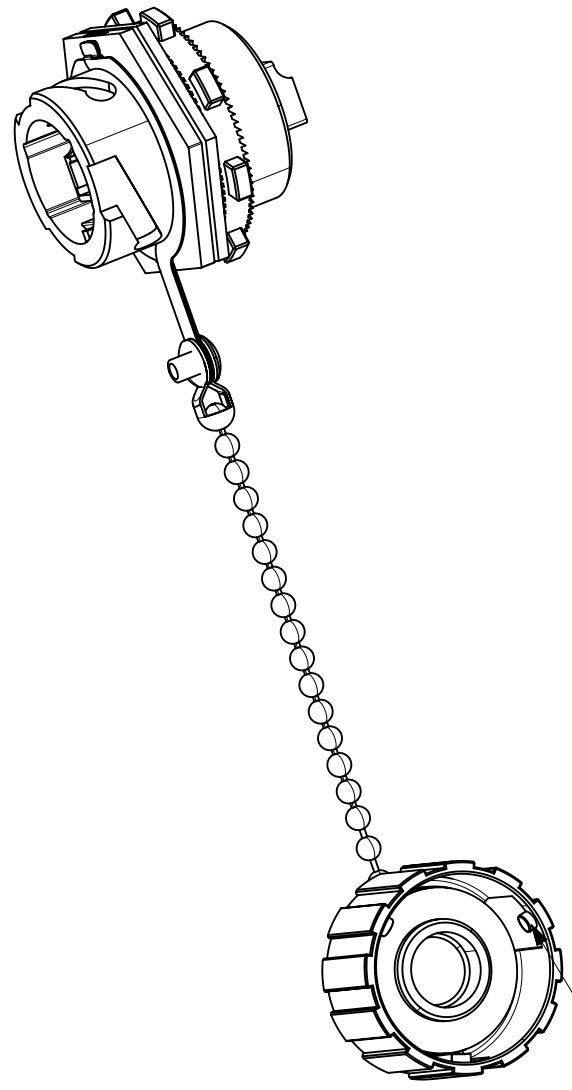


ADAPTER P/N	VERSION	CABLE TYPE
1060597200	WITH LOGO	MULTIMODE
1060597400	WITHOUT LOGO	MULTIMODE
1060597600	WITH LOGO	SINGLE MODE
1060597800	WITHOUT LOGO	SINGLE MODE



RECOMMENDED PANEL THICKNESS: .060*(1.5mm) - .312*(7.9mm)

RECOMMENDED MOUNTING CUTOUT
SCALE 1:1

PRE-RELEASE
REFERENCE
USE ONLY

NOTE:
ALL DIMENSIONS SHOWN ARE FOR REFERENCE ONLY.

THIS DRAWING CONTAINS INFORMATION THAT IS PROPRIETARY TO MOLEX ELECTRONIC TECHNOLOGIES, LLC AND SHOULD NOT BE USED WITHOUT WRITTEN PERMISSION												
QUALITY SYMBOLS ▽ = 0 ▽ = 0 ▽ = 0 ▼ = 0 ▽ = 0 ⊠ = 0 ■ = 0 ▽ = 0	2018/10/17 EC NO: 609756 DRWN: RLOW CHKD: APPR:	GENERAL TOLERANCES (UNLESS SPECIFIED)		DIMENSION UNITS	SCALE							
		ANGULAR TOL ± °		HYBRID	1:1							
		4 PLACES ±	BANDREI	DATE	2007/07/17							
		3 PLACES ±	CHKD BY	DATE	BANDREI	2009/06/02	ADAPTER ASSEMBLY METAL BODY INDUSTRIAL LC					
		2 PLACES ±	APPR BY	DATE	BANDREI	2007/07/17						
1 PLACE ±	DRAFT WHERE APPLICABLE MUST REMAIN WITHIN DIMENSIONS		DRAWING SIZE	THIRD ANGLE PROJECTION	PRODUCT CUSTOMER DRAWING							
0 PLACES ±			B		SERIES	MATERIAL NUMBER	CUSTOMER					
				106059		GENERAL MARKET						
				DOCUMENT NUMBER		DOC TYPE	DOC PART	SHEET NUMBER				
				SD-106059-7X00		PSD	001	1 OF 1				