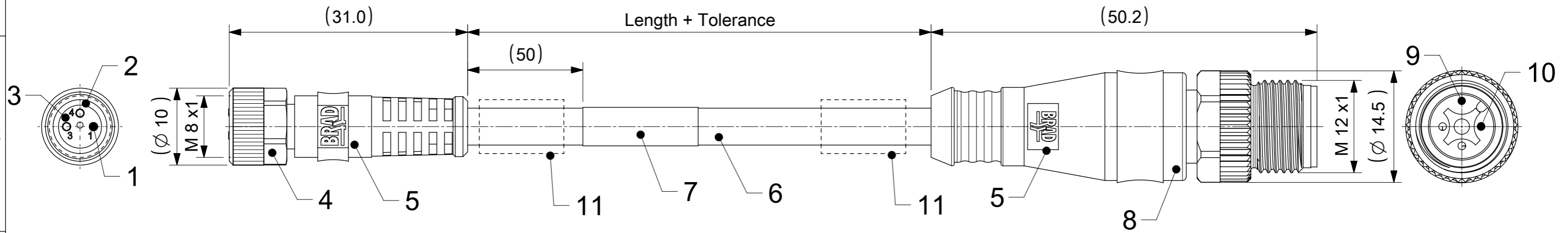
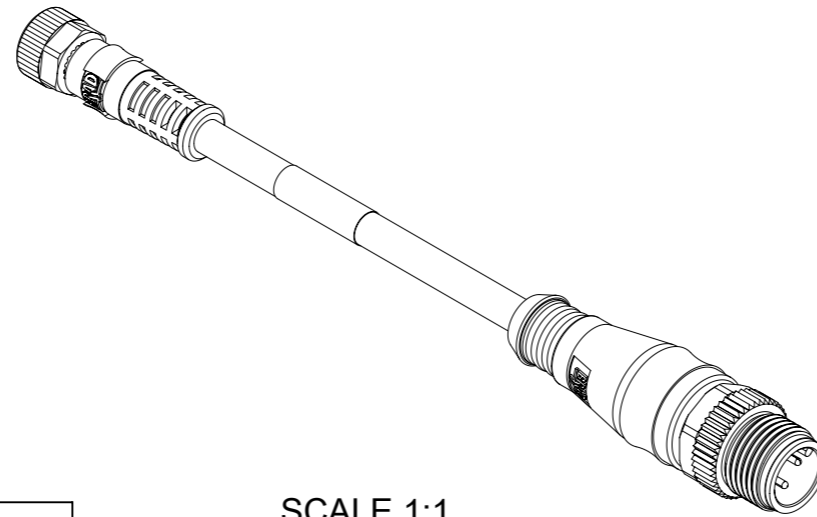


FEMALE PLUG M8 STRAIGHT TO MALE PLUG M12 STRAIGHT WSOR CABLES



NOTES:

- RATED VOLTAGE: 3 contacts 60V AC/DC
4 and 5 contacts 30V AC/DC
- CURRENT RATING: 3, 4, 5 contacts 3A
- PROTECTION CLASS: IP 67
- TEMPERATURE: -25°C / +80°C



SCALE 1:1

CONTACTS POSITION FRONT VIEW:

| | 3 CONTACTS | | 4 CONTACTS | | 5 CONTACTS | |
|-------------|------------|-------|------------|-------|------------|-------|
| M8 - FEMALE | | | | | | |
| M12 - MALE | | | | | | |
| CONNECTIONS | PIN | WIRE | PIN | WIRE | PIN | WIRE |
| | 1 | BROWN | 1 | BROWN | 1 | BROWN |
| | 3 | BLUE | 2 | WHITE | 2 | WHITE |
| | 4 | BLACK | 3 | BLUE | 3 | BLUE |
| | | | 4 | BLACK | 4 | BLACK |
| | | | | 5 | GREY | |

CODING M8 ACCORDING TO IEC 61076-2-104
CODING M12 ACCORDING TO IEC IEC 61076-2-101

FOR OPTIONS SEE - NUMERICAL CODE - ON SHEET 2

| ITEM | QTY. | DESCRIPTION | MATERIAL | FINISH |
|------|-----------|----------------------------|-------------|----------------------|
| 11 | 0 / 2 | ID CARRIER (SEE MATRIX) | PVC | - |
| 10 | 3 / 4 / 5 | CONTACT M8 MALE | COPPER | SELECTIVE Au OVER Ni |
| 9 | 1 | INSERT MALE M12 BLACK | TPU | --- |
| 8 | 1 | COUPLING NUT M12 MALE SW13 | BRASS | SEE PART LIST |
| 7 | 1 | LABEL YELLOW | VINYL | --- |
| 6 | - | CABLE | SEE SHEET 2 | --- |
| 5 | - | OVERMOULDING | TPU | SEE MATRIX |
| 4 | 1 | COUPLING NUT M8 FEMALE SW9 | BRASS | NICKEL |
| 3 | 1 | INSERT FEMALE M8 BLACK | TPU | --- |
| 2 | 1 | O-RING RED | FKM | --- |
| 1 | 3 / 4 / 5 | CONTACT M8 FEMALE | COPPER | SELECTIVE Au OVER Ni |

| SYMBOLS | THIS DRAWING CONTAINS INFORMATION THAT IS PROPRIETARY TO MOLEX ELECTRONIC TECHNOLOGIES, LLC AND SHOULD NOT BE USED WITHOUT WRITTEN PERMISSION | |
|---------|---|----------------|
| ▽ = 0 | DIMENSION UNITS | SCALE |
| ▽ = 0 | mm | 2:1 |
| ▽ = 0 | CURRENT REV DESC: ADDED NEW PNS | |
| ▽ = 0 | GENERAL TOLERANCES (UNLESS SPECIFIED) | |
| ▽ = 0 | ANGULAR TOL | ± 1.0° |
| ▽ = 0 | 4 PLACES | ± |
| ▽ = 0 | 3 PLACES | ± |
| ▽ = 0 | 2 PLACES | ± 0.05 |
| ▽ = 0 | 1 PLACE | ± 0.3 |
| ▽ = 0 | 0 PLACES | ± 0.5 |
| ■ = 0 | DRAFT WHERE APPLICABLE MUST REMAIN WITHIN DIMENSIONS | |
| ▽ = 0 | THIRD ANGLE PROJECTION | DRAWING |
| | | A3-SIZE |
| | SERIES | 120087 |
| | MATERIAL NUMBER | SEE SHEET 3 |
| | CUSTOMER | GENERAL MARKET |
| | SHEET NUMBER | 1 OF 3 |

molex

CSE M8 M12 XP ACBC FE STR WSOR MA STR XM

PRODUCT CUSTOMER DRAWING

DOCUMENT NUMBER: 1200878806
DOC TYPE: PSD
DOC PART: 000
REVISION: A2

ENGINEERING NO. - NUMERICAL CODE (Available parts see PART LIST table. Other parts available upon request).

OPTIONS

4 8 X 0 3 0 B X X X X X X X

48=Nano-Change
M8x1 to
Micro-Change
M12x1

Poles:
3=3 Poles
4=4 Poles
5=5 Poles

Heads style:
030=Plug Female Straight
to Plug Male Straight

Cable type: See Table

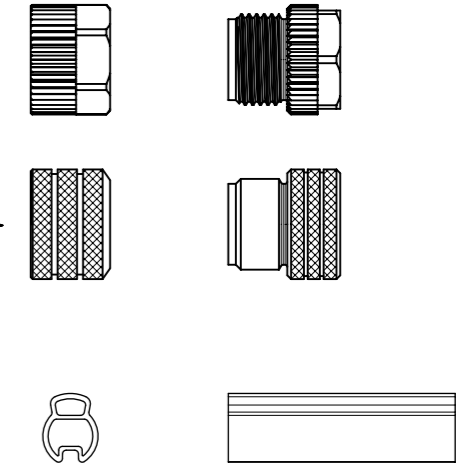
Units:
M=Meter

Length
Examples:
005=0.5 units
010=1 units
100=10 units

Overmold color:
Blank (Standard)=Black
Y = YELLOW

Coupling Nut:
Blank (Standard)= Knurled/Hex
Brass, Ni Plated
7= Knurled Brass Ni plated,
Teflon Coated

H= 2 pcs. of
I/D Carrier PVC Transparent
(Cables B36 always with 2 pcs,
I/D Carrier)



CABLE INFORMATION (for more information see Cable Data Sheet).

| CABLE TYPE | NO. OF WIRES | CROSS SECTION | CABLE JACKET | UL | CSA | STATIC: TEMP. / BENDING RADIUS | DYNAMIC: TEMP. / BENDING RADIUS | DRAG CHAIN: TEMP. / BENDING RADIUS | DRAG CHAIN | CABLE PRODUCT SPECIFICATION | CABLE SPEC. DRAWING |
|------------|--------------|---------------------|--------------|--------------|-------------------------|--------------------------------|---------------------------------|------------------------------------|--|-----------------------------|---------------------|
| B41 | 3 / 4 / 5 | 0.25mm ² | TPU Black | UL 21215/758 | C22.2 I/II A/B 80°/600V | -40°C to +90°C >5xO.D. | -25°C to +80°C >7.5xO.D. | -5°C to +60°C >7.5xO.D. | up to 5 000 000 cycles at temp 20°C | 1552200001 | SD-120209-001 |
| B55 | 3 / 4 | 0.34mm ² | TPU Yellow | | | | | | | | n/a |
| B36 | 3/4 | 0.34mm ² | TPU Orange | | | | | | | | SD-120209-001 |

CABLE LENGTH TOLERANCES

| LENGTH | TOLERANCE |
|----------|------------|
| 0m-1m | +40 mm |
| >1m-5m | +60 mm |
| >5m-10m | +80 mm |
| >10m-20m | +140 mm |
| >20m-30m | +160 mm |
| >30m | +1% length |

| SYMBOLS | THIS DRAWING CONTAINS INFORMATION THAT IS PROPRIETARY TO MOLEX ELECTRONIC TECHNOLOGIES, LLC AND SHOULD NOT BE USED WITHOUT WRITTEN PERMISSION | CURRENT REV DESC: ADDED NEW PNS | | molex | | | | | | | | | | | | | | | | | | | | | | | |
|---|---|---------------------------------|------------|-----------------|-----------------|--------------|--------------|--------|---|---------|---------------|-------------|--|------------|--|------------|------------------|------------|--|------------|--------------------------|-----|-----|----|--|--|--|
| | <table border="1"> <tr> <th>DIMENSION UNITS</th> <th>SCALE</th> </tr> <tr> <td>mm</td> <td>2:1</td> </tr> </table> | DIMENSION UNITS | SCALE | | | | mm | 2:1 | <table border="1"> <tr> <td>EC NO: 616759</td> <td>2019/05/06</td> </tr> <tr> <td>DRWN: MDHARMANTI</td> <td>2019/05/09</td> </tr> <tr> <td>CHK'D: RSILLER</td> <td>2019/05/09</td> </tr> <tr> <td>APPR: RSILLER</td> <td>2019/05/09</td> </tr> </table> | | EC NO: 616759 | 2019/05/06 | DRWN: MDHARMANTI | 2019/05/09 | CHK'D: RSILLER | 2019/05/09 | APPR: RSILLER | 2019/05/09 | CSE M8 M12 XP ACBC FE STR WSOR MA STR XM | | | | | | | | |
| | DIMENSION UNITS | SCALE | | | | | | | | | | | | | | | | | | | | | | | | | |
| | mm | 2:1 | | | | | | | | | | | | | | | | | | | | | | | | | |
| EC NO: 616759 | 2019/05/06 | | | | | | | | | | | | | | | | | | | | | | | | | | |
| DRWN: MDHARMANTI | 2019/05/09 | | | | | | | | | | | | | | | | | | | | | | | | | | |
| CHK'D: RSILLER | 2019/05/09 | | | | | | | | | | | | | | | | | | | | | | | | | | |
| APPR: RSILLER | 2019/05/09 | | | | | | | | | | | | | | | | | | | | | | | | | | |
| <table border="1"> <tr> <th>GENERAL TOLERANCES (UNLESS SPECIFIED)</th> <th>ANGULAR TOL</th> </tr> <tr> <td>4 PLACES ±</td> <td>± 1.0°</td> </tr> <tr> <td>3 PLACES ±</td> <td></td> </tr> <tr> <td>2 PLACES ±</td> <td>± 0.05</td> </tr> <tr> <td>1 PLACE ±</td> <td>± 0.3</td> </tr> <tr> <td>0 PLACES ±</td> <td>± 0.5</td> </tr> </table> | GENERAL TOLERANCES (UNLESS SPECIFIED) | ANGULAR TOL | 4 PLACES ± | ± 1.0° | 3 PLACES ± | | 2 PLACES ± | ± 0.05 | 1 PLACE ± | ± 0.3 | 0 PLACES ± | ± 0.5 | <table border="1"> <tr> <td colspan="2">INITIAL REVISION:</td> </tr> <tr> <td>DRWN: JMARSZALEK</td> <td>2016/09/14</td> </tr> <tr> <td>APPR: MIWASIECZKO</td> <td>2017/11/28</td> </tr> </table> | | INITIAL REVISION: | | DRWN: JMARSZALEK | 2016/09/14 | APPR: MIWASIECZKO | 2017/11/28 | PRODUCT CUSTOMER DRAWING | | | | | | |
| GENERAL TOLERANCES (UNLESS SPECIFIED) | ANGULAR TOL | | | | | | | | | | | | | | | | | | | | | | | | | | |
| 4 PLACES ± | ± 1.0° | | | | | | | | | | | | | | | | | | | | | | | | | | |
| 3 PLACES ± | | | | | | | | | | | | | | | | | | | | | | | | | | | |
| 2 PLACES ± | ± 0.05 | | | | | | | | | | | | | | | | | | | | | | | | | | |
| 1 PLACE ± | ± 0.3 | | | | | | | | | | | | | | | | | | | | | | | | | | |
| 0 PLACES ± | ± 0.5 | | | | | | | | | | | | | | | | | | | | | | | | | | |
| INITIAL REVISION: | | | | | | | | | | | | | | | | | | | | | | | | | | | |
| DRWN: JMARSZALEK | 2016/09/14 | | | | | | | | | | | | | | | | | | | | | | | | | | |
| APPR: MIWASIECZKO | 2017/11/28 | | | | | | | | | | | | | | | | | | | | | | | | | | |
| <table border="1"> <tr> <td>DRAFT WHERE APPLICABLE MUST REMAIN WITHIN DIMENSIONS</td> <td>THIRD ANGLE PROJECTION</td> <td>DRAWING</td> <td>SERIES</td> <td>MATERIAL NUMBER</td> <td>CUSTOMER</td> <td>SHEET NUMBER</td> </tr> <tr> <td></td> <td></td> <td>A3-SIZE</td> <td>120087</td> <td>SEE SHEET 3</td> <td>GENERAL MARKET</td> <td>2 OF 3</td> </tr> </table> | DRAFT WHERE APPLICABLE MUST REMAIN WITHIN DIMENSIONS | THIRD ANGLE PROJECTION | DRAWING | SERIES | MATERIAL NUMBER | CUSTOMER | SHEET NUMBER | | | A3-SIZE | 120087 | SEE SHEET 3 | GENERAL MARKET | 2 OF 3 | <table border="1"> <tr> <td>DOCUMENT NUMBER</td> <td>DOC TYPE</td> <td>DOC PART</td> <td>REVISION</td> </tr> <tr> <td>1200878806</td> <td>PSD</td> <td>000</td> <td>A2</td> </tr> </table> | | DOCUMENT NUMBER | DOC TYPE | DOC PART | REVISION | 1200878806 | PSD | 000 | A2 | | | |
| DRAFT WHERE APPLICABLE MUST REMAIN WITHIN DIMENSIONS | THIRD ANGLE PROJECTION | DRAWING | SERIES | MATERIAL NUMBER | CUSTOMER | SHEET NUMBER | | | | | | | | | | | | | | | | | | | | | |
| | | A3-SIZE | 120087 | SEE SHEET 3 | GENERAL MARKET | 2 OF 3 | | | | | | | | | | | | | | | | | | | | | |
| DOCUMENT NUMBER | DOC TYPE | DOC PART | REVISION | | | | | | | | | | | | | | | | | | | | | | | | |
| 1200878806 | PSD | 000 | A2 | | | | | | | | | | | | | | | | | | | | | | | | |

PART LIST

| No | Part No | Engineering No | Cable Length (mm) |
|----|------------|-----------------|-------------------|
| 1 | 1200878784 | 483030B41M030 | 3000 |
| 2 | 1200878785 | 483030B41M050 | 5000 |
| 3 | 1200878786 | 483030B41M100 | 10000 |
| 4 | 1200878793 | 484030B41M006 | 600 |
| 5 | 1200878794 | 484030B41M010 | 1000 |
| 6 | 1200878795 | 484030B41M020 | 2000 |
| 7 | 1200878796 | 484030B41M030 | 3000 |
| 8 | 1200878797 | 484030B41M050 | 5000 |
| 9 | 1200878798 | 484030B41M100 | 10000 |
| 10 | 1200878805 | 483030B41M006 | 600 |
| 11 | 1200878806 | 483030B41M010 | 1000 |
| 12 | 1200878807 | 483030B41M020 | 2000 |
| 13 | 1200878922 | 483030B55M050 | 5000 |
| 26 | 1200878926 | 484030B41M040 | 4000 |
| 17 | 1200878929 | 483030B41M030H | 3000 |
| 18 | 1200878930 | 483030B41M050H | 5000 |
| 19 | 1200878931 | 483030B41M100H | 10000 |
| 20 | 1200878932 | 484030B41M006H | 600 |
| 21 | 1200878933 | 484030B41M010H | 1000 |
| 22 | 1200878934 | 484030B41M020H | 2000 |
| 23 | 1200878935 | 484030B41M030H | 3000 |
| 24 | 1200878936 | 484030B41M050H | 5000 |
| 25 | 1200878937 | 484030B41M100H | 10000 |
| 14 | 1200878938 | 483030B41M006H | 600 |
| 15 | 1200878939 | 483030B41M010H | 1000 |
| 16 | 1200878940 | 483030B41M020H | 2000 |
| 27 | 1200878959 | 483030B36M0037Y | 300 |
| 28 | 1200878960 | 484030B36M0037Y | 300 |
| 29 | 1200878958 | 483030B41M150 | 15000 |
| 30 | 1200878966 | 485030B41M005 | 500 |
| 31 | 1200878967 | 485030B41M010 | 1000 |
| 32 | 1200878968 | 485030B41M015 | 1500 |
| 33 | 1200878969 | 485030B41M020 | 2000 |
| 34 | 1200878970 | 485030B41M025 | 2500 |

| | | |
|---------|---|---------------------------------|
| SYMBOLS | THIS DRAWING CONTAINS INFORMATION THAT IS PROPRIETARY TO MOLEX ELECTRONIC TECHNOLOGIES, LLC AND SHOULD NOT BE USED WITHOUT WRITTEN PERMISSION | |
| | DIMENSION UNITS | SCALE |
| | mm | 2:1 |
| | GENERAL TOLERANCES (UNLESS SPECIFIED) | |
| | ANGULAR TOL ± 1.0° | |
| | 4 PLACES ± | CURRENT REV DESC: ADDED NEW PNS |
| | 3 PLACES ± | |
| | 2 PLACES ± 0.05 | EC NO: 616759 |
| | 1 PLACE ± 0.3 | DRWN: MDHARMANTI 2019/05/06 |
| | 0 PLACES ± 0.5 | CHK'D: RSILLER 2019/05/09 |
| | DRAFT WHERE APPLICABLE MUST REMAIN WITHIN DIMENSIONS | APPR: RSILLER 2019/05/09 |
| | THIRD ANGLE PROJECTION | INITIAL REVISION: |
| | | DRWN: JMARSZALEK 2016/09/14 |
| | DRAWING | APPR: MIWASIECZKO 2017/11/28 |
| | SERIES | DOCUMENT NUMBER |
| | A3-SIZE | 1200878806 |
| | 120087 | DOC TYPE |
| | SEE PART LIST | PSD |
| | CUSTOMER | DOC PART |
| | GENERAL MARKET | 000 |
| | SHEET NUMBER | REVISION |
| | 3 OF 3 | A2 |

| | | | | |
|-----------------|----|--------------|------------|----------|
| DOCUMENT STATUS | P1 | RELEASE DATE | 2019/05/09 | 09:26:07 |
|-----------------|----|--------------|------------|----------|