

VIEW FROM THE FRONT SIDE

PIN	WIRE COLOR
1	OG
2	BU
3	OG/WH
4	BU/WH

NOTES :
 MAX. VOLTAGE : 30V
 MAX. CURRENT : 1.5V
 IP RATING : IP67
 OPERATING TEMPERATURE : -20°C TO +75°C

PART No. MATRIX

E	W	W	A	0	6	2	0	3	M	X	X	X
---	---	---	---	---	---	---	---	---	---	---	---	---

E=ETHERNET

HEADS:
 W=M12 4-Pole Ultra Lock D-Coding
 W=M12 4-Pole Ultra Lock D-Coding

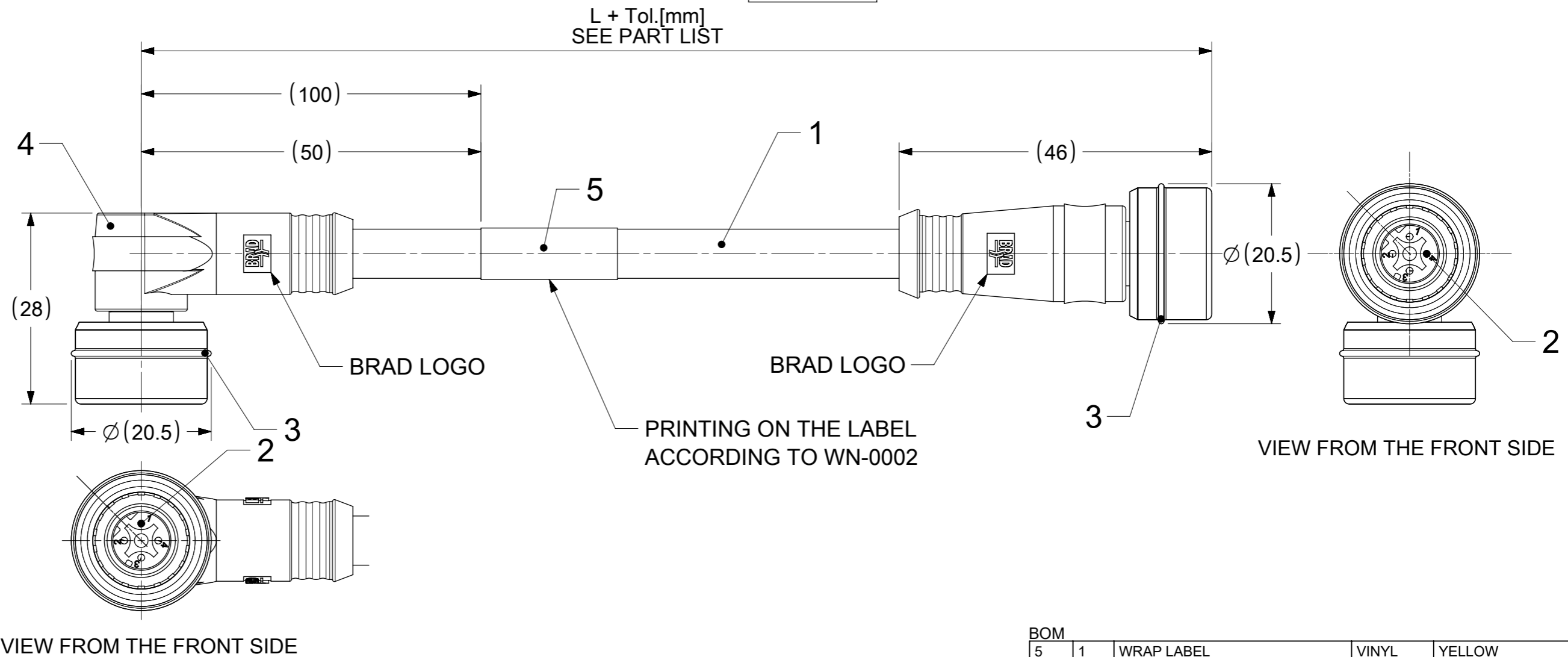
HEADS STYLE:
 062=MALE RA / MALE STR

UNITS:
 M=METER
 T=10x METER

WIRING TYPE:
 A=4 Pole STRAIGHT WIRED)

CABLE TYPE

LENGTH EXAMPLES:
 005=0.5
 010=1
 150=15



PART LIST

MOLEX P/N	ENG No.	L[mm]
1201080073	EWWA06203M006	600
1201080074	EWWA06203M010	1000
1201080075	EWWA06203M020	2000
1201080076	EWWA06203M050	5000
1201080077	EWWA06203M100	10000
1201080078	EWWA06203M150	15000
1201080079	EWWA06203M300	30000
1201088050	EWWA06203M002	200
1201088204	EWWA06203M200	20000
1201088205	EWWA06203M400	40000
1201088206	EWWA06203M600	60000
1201088207	EWWA06203M800	80000
1201088208	EWWA06203T100	100000

BOM

ITEM	QTY.	DESCRIPTION	MATERIAL	FINISH/COLOR
5	1	WRAP LABEL	VINYL	YELLOW
4	-	MOULDING MATERIAL	TPU	BLACK
3	2	MIC 3P MALE ULOCK ASSEMBLY	-	-
2	8	CONTACT MALE	BRASS	SELECTIVE GOLD OVER NICKEL
1	-	CABLE ETHERNET CAT5E	TPE	TEAL

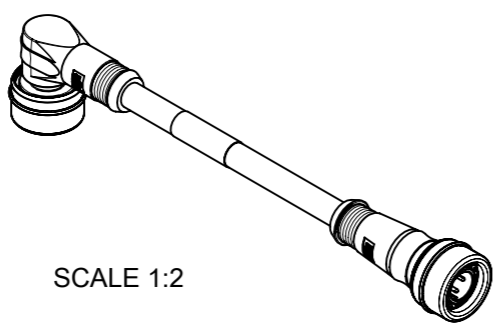


TABLE OF LENGTH TOLERANCES

OVER	UP TO AND INCLUDING	TOLERANCE
0	305	+19
305	915	+45
915	1830	+56
1830	3660	+89
3660	7320	+165
7320	14640	+317
14640	30500	+610
30500	>	+2% OF LENGTH

FUNCTIONAL SYMBOLS

THIS DRAWING CONTAINS INFORMATION THAT IS PROPRIETARY TO MOLEX ELECTRONIC TECHNOLOGIES, LLC AND SHOULD NOT BE USED WITHOUT WRITTEN PERMISSION

SCALE: 3:2

GENERAL TOLERANCES (UNLESS SPECIFIED)

ANGULAR TOL ± 0.5°

4 PLACES ±

3 PLACES ± 0.005

2 PLACES ± 0.01

1 PLACE ± 0.2

0 PLACES ±

DRAFT WHERE APPLICABLE MUST REMAIN WITHIN DIMENSIONS

THIRD ANGLE PROJECTION

DRAWING: A3-SIZE

SERIES: 120108

MATERIAL NUMBER: SEE PART LIST

CUSTOMER: GENERAL MARKET

SHEET NUMBER: 1 OF 1

EC NO: 703182

DRWN: SSM 2022/04/08

CHK'D: RSILLER 2022/04/14

APPR: RSILLER 2022/04/14

INITIAL REVISION:

DRWN: SSM 2022/04/08

APPR: RSILLER 2022/04/14

DOCUMENT NUMBER: 1201080073

DOC TYPE: PSD

DOC PART: 000

REVISION: A

molex

MIC 4P M/MP ULOCK ST/90 XM

PRODUCT CUSTOMER DRAWING

PART NO MATRIX

E **W** **W** **A** **0** **6** **2** **0** **3** **M** **X** **X** **X**

E=ETHERNET

HEADS:
W=M12 4-Pole Ultra Lock
D-Coding
W=M12 4-Pole Ultra Lock
D-Coding

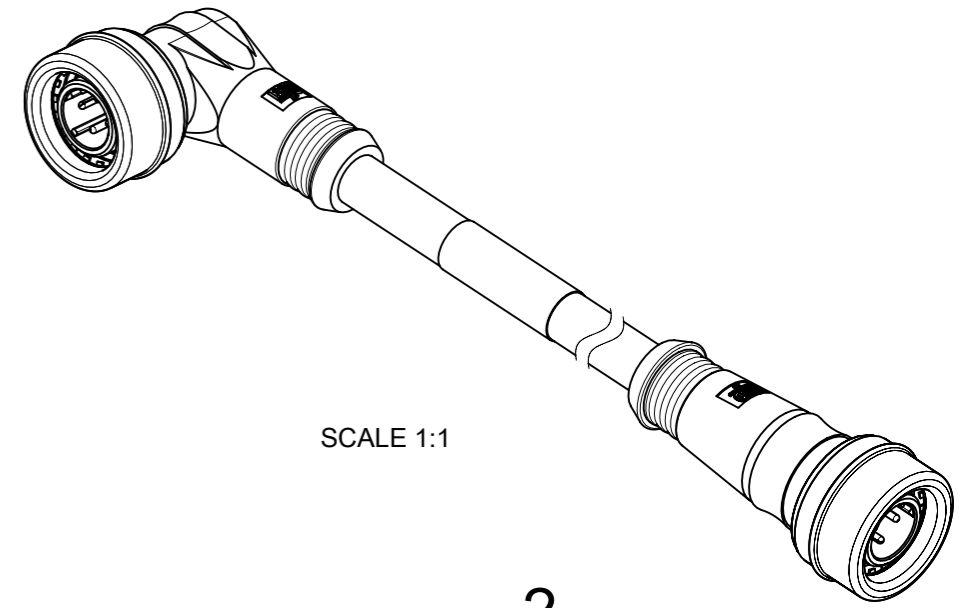
HEADS STYLE:
062 = MALE RA / MALE STR

CABLE TYPE

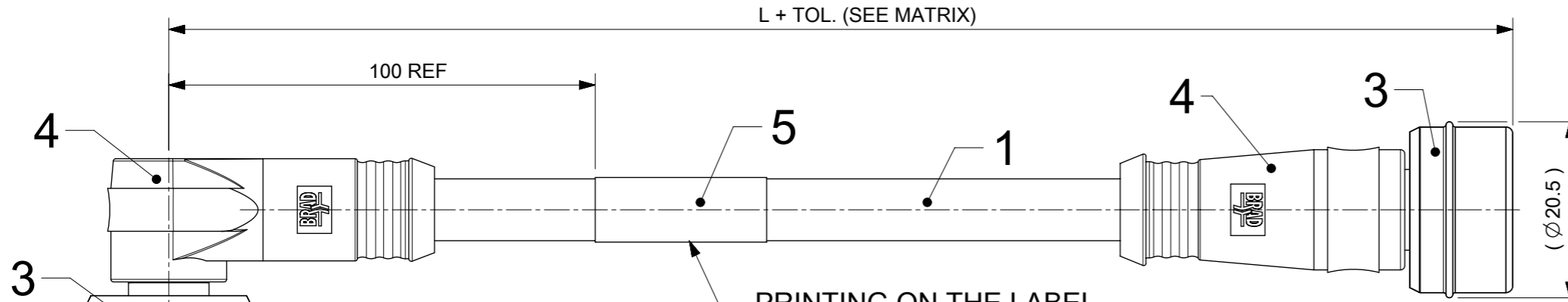
UNITS:
M=METER
T=10x METER

LENGTH EXAMPLES:
005=0.5
010=1
150=15

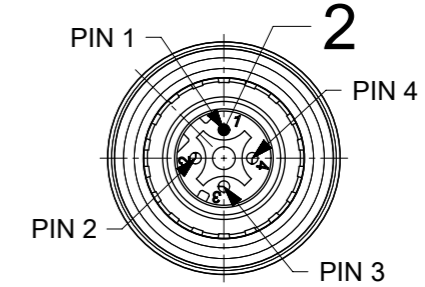
WIRING TYPE:
A= 4 Pole
STRAIGHT WIRED



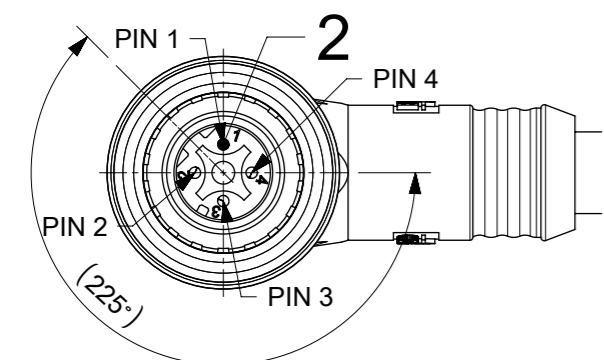
SCALE 1:1



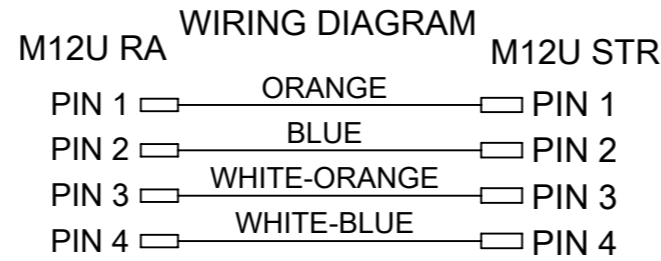
PRINTING ON THE LABEL
ACCORDING TO WN-0002



VIEW FROM THE FRONT SIDE



VIEW FROM THE FRONT SIDE



BOM

ITEM	QTY.	DESCRIPTION	MATERIAL	FINISH/COLOR
5	1	WRAP LABEL	VINYL	YELLOW
4	-	MOULDING MATERIAL	TPU	BLACK
3	2	MIC 3P MALE ULOCK ASSEMBLY	-	-
2	8	CONTACT MALE	BRASS	SELECTIVE GOLD OVER NICKEL
1	-	CABLE ETHERNET CAT5E	TPE	TEAL

PART LIST

SL. NO	MOLEX PN	ENGINEERING NO.	LENGTH (mm)
1	1201088050	EWWA06203M002	200
2	1201080073	EWWA06203M006	600
3	1201080074	EWWA06203M010	1000
4	1201080075	EWWA06203M020	2000
5	1201080076	EWWA06203M050	5000
6	1201080077	EWWA06203M100	10000
7	1201080078	EWWA06203M150	15000
8	1201088204	EWWA06203M200	20000
9	1201080079	EWWA06203M300	30000
10	1201088205	EWWA06203M400	40000
11	1201088206	EWWA06203M600	60000
12	1201088207	EWWA06203M800	80000
13	1201088208	EWWA06203T100	100000

DOCUMENT STATUS	P1	RELEASE DATE	2022/07/27	07:37:29
-----------------	----	--------------	------------	----------

NOTES :

ELECTRICAL DATA :
VOLTAGE RATING : 250V
AMPERAGE RATING : 4A
INSULATION RESISTANCE : 10⁸Ω MIN.
MATING CYCLES : MIN. 100

ENVIRONMENTAL :
PROTECTION CLASS : IP67/IP68/IP69K IN MATED
AND LOCKED POSITION
OPERATING TEMPERATURE : -25°C TO +80°C

FUNCTIONAL SYMBOLS	THIS DRAWING CONTAINS INFORMATION THAT IS PROPRIETARY TO MOLEX ELECTRONIC TECHNOLOGIES, LLC AND SHOULD NOT BE USED WITHOUT WRITTEN PERMISSION	CURRENT REV DESC: MIGRATED AND REVISED																																	
	<table border="0"> <tr> <td>△/A = 0</td> <td>mm</td> <td>SCALE 3:2</td> </tr> <tr> <td>△/E = 0</td> <td colspan="2">GENERAL TOLERANCES (UNLESS SPECIFIED)</td> </tr> <tr> <td>△/V = 0</td> <td colspan="2">ANGULAR TOL ± 0.5°</td> </tr> </table>	△/A = 0	mm			SCALE 3:2	△/E = 0	GENERAL TOLERANCES (UNLESS SPECIFIED)		△/V = 0	ANGULAR TOL ± 0.5°		<table border="0"> <tr> <td>4 PLACES ±</td> <td>EC NO: 715590</td> </tr> <tr> <td>3 PLACES ± 0.005</td> <td>DRWN: MDHARMANTI 2022/02/25</td> </tr> <tr> <td>2 PLACES ± 0.02</td> <td>CHK'D: RSILLER 2022/07/27</td> </tr> <tr> <td>1 PLACE ± 0.01</td> <td>APPR: RSILLER 2022/07/27</td> </tr> <tr> <td>0 PLACES ±</td> <td>INITIAL REVISION:</td> </tr> <tr> <td></td> <td>DRWN: MDHARMANTI 2022/02/25</td> </tr> <tr> <td></td> <td>APPR: RSILLER 2022/07/27</td> </tr> </table>		4 PLACES ±	EC NO: 715590	3 PLACES ± 0.005	DRWN: MDHARMANTI 2022/02/25	2 PLACES ± 0.02	CHK'D: RSILLER 2022/07/27	1 PLACE ± 0.01	APPR: RSILLER 2022/07/27	0 PLACES ±	INITIAL REVISION:		DRWN: MDHARMANTI 2022/02/25		APPR: RSILLER 2022/07/27	<table border="0"> <tr> <td>DOCUMENT NUMBER</td> <td>DOC TYPE</td> <td>DOC PART</td> <td>REVISION</td> </tr> <tr> <td>1201088204</td> <td>PSD</td> <td>000</td> <td>A</td> </tr> </table>		DOCUMENT NUMBER	DOC TYPE	DOC PART	REVISION	1201088204
△/A = 0	mm	SCALE 3:2																																	
△/E = 0	GENERAL TOLERANCES (UNLESS SPECIFIED)																																		
△/V = 0	ANGULAR TOL ± 0.5°																																		
4 PLACES ±	EC NO: 715590																																		
3 PLACES ± 0.005	DRWN: MDHARMANTI 2022/02/25																																		
2 PLACES ± 0.02	CHK'D: RSILLER 2022/07/27																																		
1 PLACE ± 0.01	APPR: RSILLER 2022/07/27																																		
0 PLACES ±	INITIAL REVISION:																																		
	DRWN: MDHARMANTI 2022/02/25																																		
	APPR: RSILLER 2022/07/27																																		
DOCUMENT NUMBER	DOC TYPE	DOC PART	REVISION																																
1201088204	PSD	000	A																																
DRAFT WHERE APPLICABLE MUST REMAIN WITHIN DIMENSIONS		THIRD ANGLE PROJECTION	DRAWING	SERIES	MATERIAL NUMBER	CUSTOMER	SHEET NUMBER																												
			A3-SIZE	120108	SEE PART LIST	GENERAL MARKET	1 OF 1																												

6

5

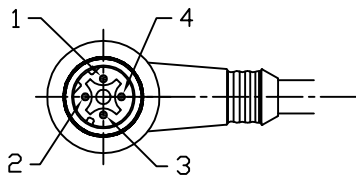
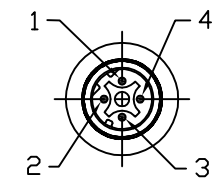
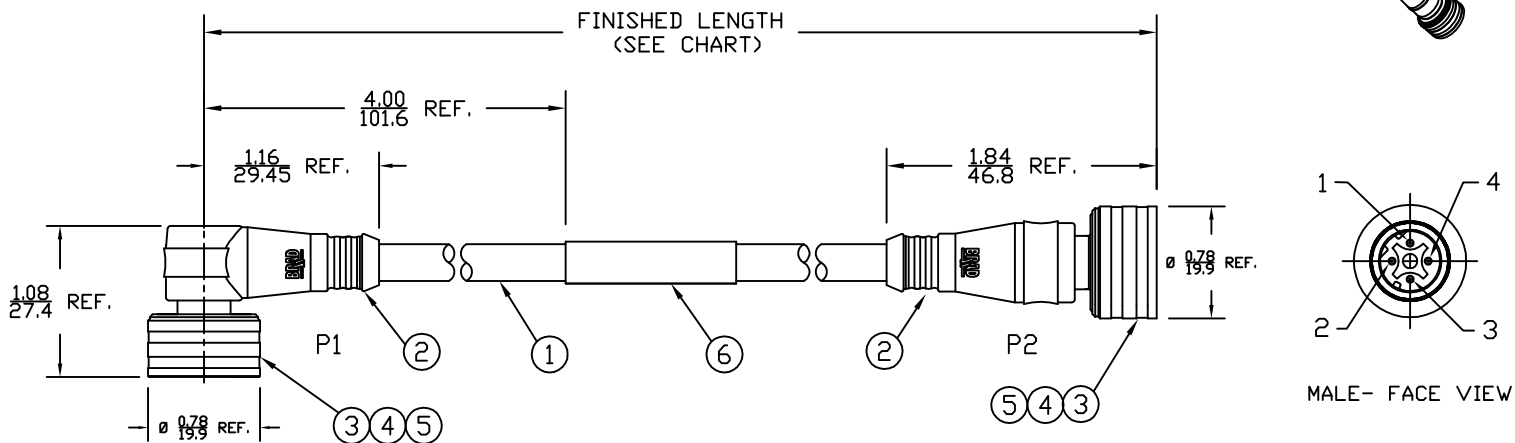
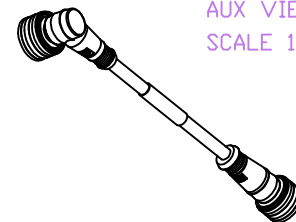
4

3

2

1

PART NUMBER	ENGINEERING NO.	LENGTH ± TOLERANCE
1201080074	EWWA06203M010	3' 3" +2.19"/-0" [1M +55.6/-0 mm]
1201080076	EWWA06203M050	16' 4" +6.5"/-0" [5M +165.0/-0 mm]



P1		P2	
1	ORANGE	1	
2	BLUE	2	
3	DRG/WHITE	3	
4	BLUE/WHITE	4	

WIRING DIAGRAM

NOTES:

- 1) MATERIAL: SEE TABLE
- 2) FINISHES: SEE TABLE
- 3) CABLE: #24/4 UNSHIELDED PVC
- 4) ELECTRICAL DATA:
ACCORDING TO CAT5e ETHERNET STANDARD
MAX. VOLTAGE: 30V
MAX. CURRENT 1.5A
- 5) ENVIRONMENTAL:
PROTECTION IP67
TEMPERATURE RANGE: -20°C TO 75°C
- 6) WRAP LABEL IS MARKED WITH P/N, DATE CODE,
VOLTAGE & AMPERAGE.
- 7) ASSEMBLY IS RoHS COMPLIANT.

ITEM	QTY.	DESCRIPTION	MATERIAL	FINISH
6	1	LABEL	PLASTIC FILM	BLACK/YELLOW
5	2	INSERT	PUR	BLACK
4	8	PIN CONTACT	COPPER ALLOY	GOLD PLATED
3	2	M12 ULTRA-LOCK HEAD ASSY	BRASS	NICKEL
2	2	OVERMOLD	PUR	BLACK
1	1	ETHERNET CABLE-CAT5E	PVC JACKET	TEAL

SD RELEASE EC NO: MEL2010-0005 DRWN: VOU CHKD: BWOODMAN APPR: JFMURPHY 2009/07/20	QUALITY SYMBOLS	GENERAL TOLERANCES (UNLESS SPECIFIED)		DIMENSION STYLE	SCALE	DESIGN UNITS	THIRD ANGLE PROJECTION	
	$\nabla=0$ $\nabla C=0$	mm	INCH	IN/MM	3:4	INCH		
		4 PLACES ±----	±.005	DRAWN BY	DATE	TITLE		
		3 PLACES ±----	±.010	VOU	2009/07/07	M12 ULTRA-LOCK CABLE ASSY 4P M/MP ST/90 D-CODE #24/4 UNSHIELDED PVC		
	2 PLACES ±----	±.020	CHECKED BY		DATE	MOLEX INCORPORATED		
	1 PLACE ±----	±.020	BWOODMAN		2009/07/31	MOLEX INCORPORATED		
			APPROVED BY		DATE	MOLEX INCORPORATED		
			MATERIAL NO.		DATE	MOLEX INCORPORATED		
			SEE CHART		DATE	MOLEX INCORPORATED		
			SIZE		DATE	MOLEX INCORPORATED		
			A		DATE	MOLEX INCORPORATED		
			THIS DRAWING CONTAINS INFORMATION THAT IS PROPRIETARY TO MOLEX INCORPORATED AND SHOULD NOT BE USED WITHOUT WRITTEN PERMISSION		DOCUMENT NO.		SHEET NO.	
					SD-120108-007		1 OF 1	

DRAFT WHERE APPLICABLE MUST REMAIN WITHIN DIMENSIONS

6

5

4

3

2

1

E

E

D

D

C

C

B

B

A

A