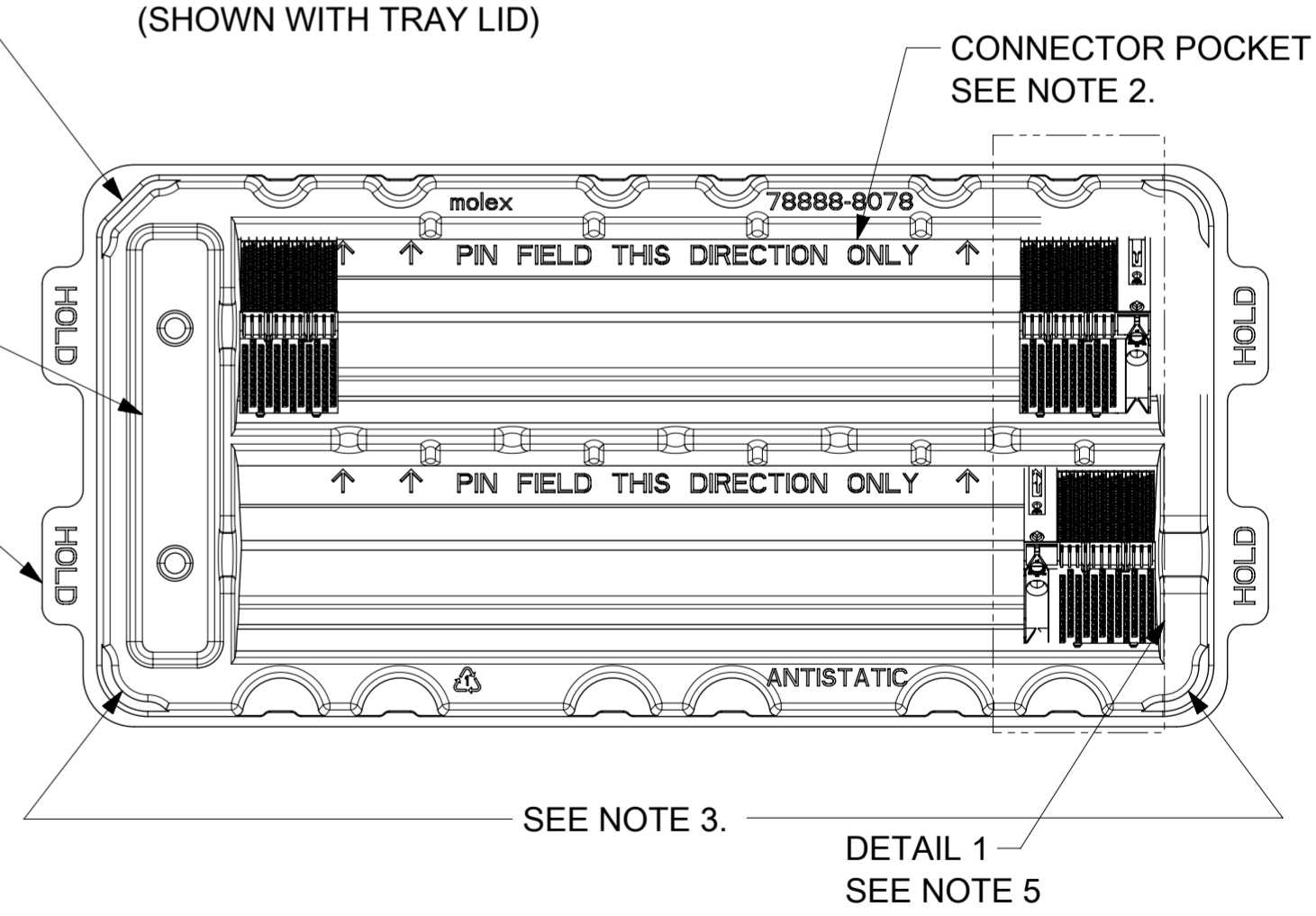
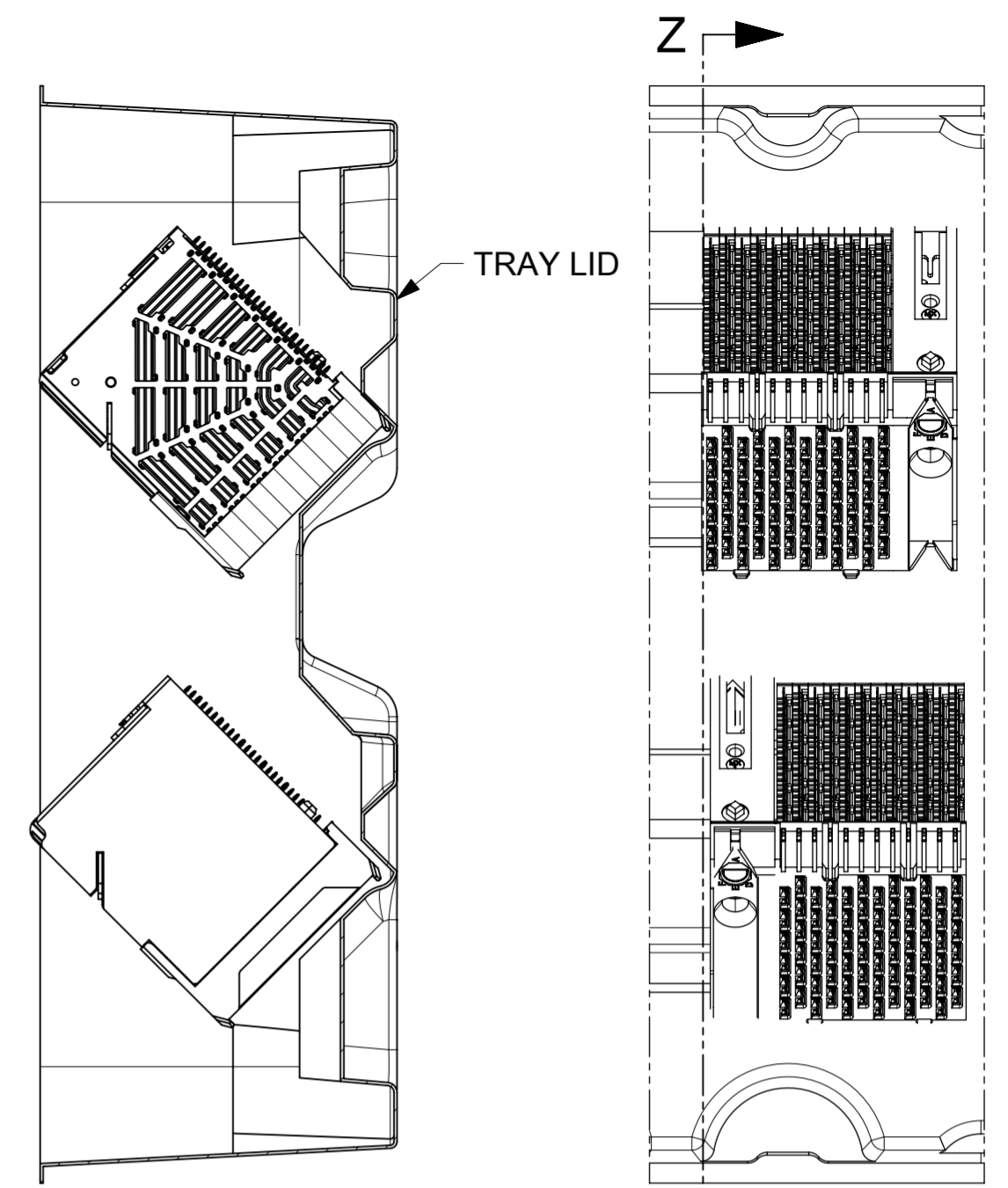
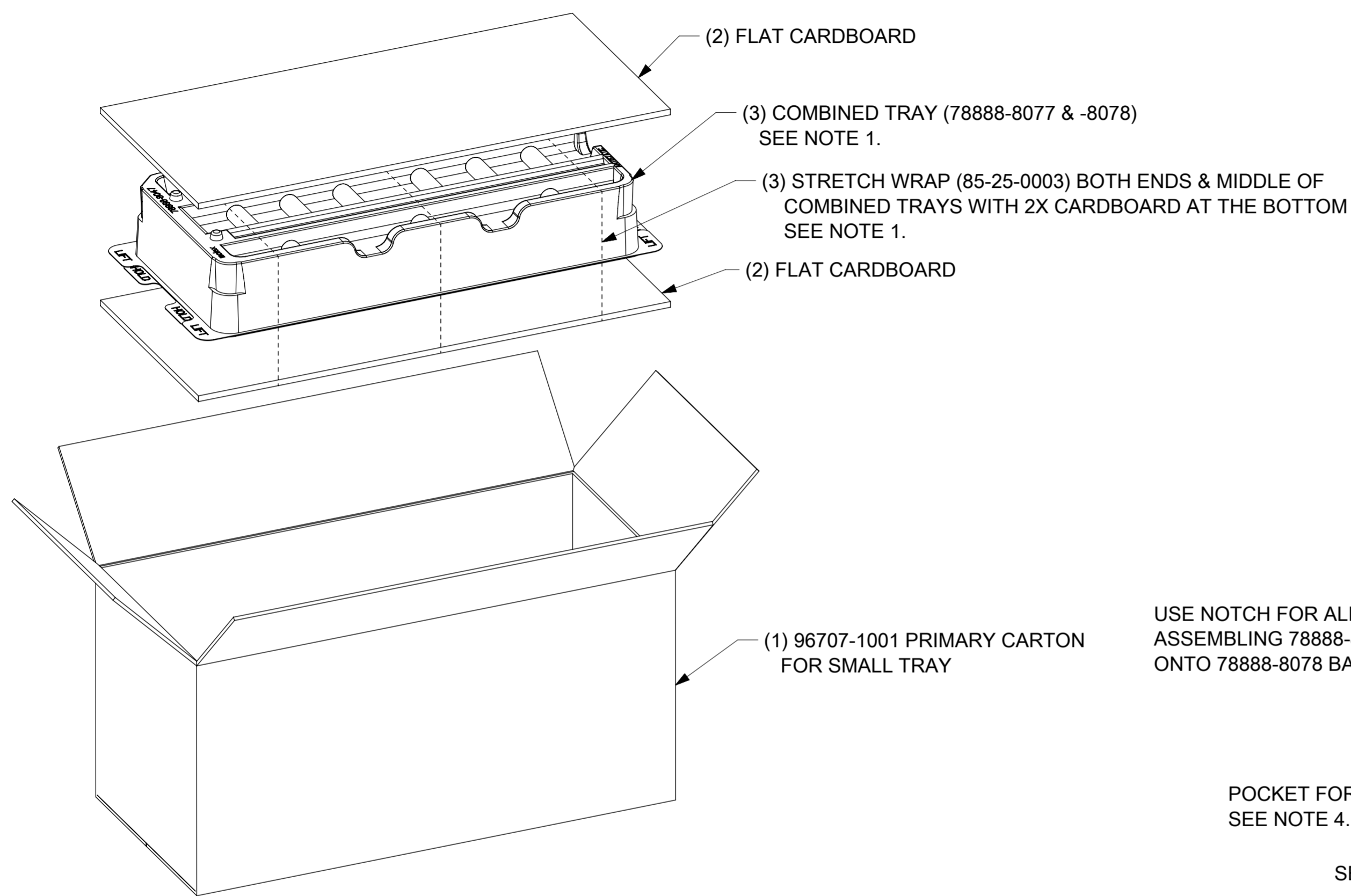


DAUGHTERCARD ASSEMBLY DESCRIPTION	QUANTITY PER POCKET	QUANTITY PER TRAY	NO. OF TRAYS PACKED W/CONN.	NO. OF EMPTY TRAY	MOQ/SPQ
6P ORTHO 12 COLUMN (UNGUIDED)	9	18	2	1	36
6P ORTHO 12 COLUMN (LEFT GUIDED)	6	12	2	1	24
6P ORTHO 12 COLUMN (RIGHT GUIDED)	6	12	2	1	24



NOTES:

- THERE MUST BE 2 TRAYS PACKED WITH CONNECTORS & 1 EMPTY TRAY AT THE BOTTOM TO MAINTAIN STABILITY. STRETCH WRAP THE COMBINED TRAYS WITH 2X CARDBOARD AT THE BOTTOM WITH MINIMUM OF TWO WRAPS AROUND STACK AT BOTH ENDS & AT THE MIDDLE.
- WHEN SHIPPING PARTIAL SHIPMENTS, DO THE FOLLOWING:
  - FILL ENTIRE CONNECTOR POCKET. NO PARTIAL CONNECTOR POCKETS ALLOWED.
  - FILL POCKETS IN MIDDLE OF TRAY FIRST, ANY EMPTY POCKETS SHOULD BE TO THE OUTSIDE OF THE TRAY.
- TRAYS SHOULD BE SNAPPED CLOSED IN 4 LOCATIONS: 4 CORNERS.
- USE POCKETS AT END OF CONNECTOR POCKETS FOR PACKAGING HARDWARE (WHEN REQUIRED).
- CONNECTORS ARE TO BE ORIENTATED WITH PIN OF CONNECTOR POINTING TOWARDS THE DIRECTION INDICATED BY "PIN FIELD THIS DIRECTION ONLY" ARROW.
- WHEN OPENING TRAY, LOOSEN THE 4 CORNERS AND THEN GRASP THE TRAY LID AND TRAY BASE ON SIDE OF TRAY WHERE NOTED AND PULL GENTLY APART.
- ONCE SMALL TRAY CARTON IS PACKED, USE TWO STRIPS OF TAPE TO SEAL CARTON, THEN PROCEED TO PACKAGING SPECIFICATION PK-70873-550.

POCKET FOR HARDWARE SEE NOTE 4.

SEE NOTE 6.

THIS DESIGN IS BASED ON DESIGN OBJECTIVES AND IS STRICTLY TENTATIVE. IT MAY CHANGE BASED ON RESULTS OF ADDITIONAL DESIGN REVIEWS AND VERIFICATIONS.

QUALITY SYMBOLS	THIS DRAWING CONTAINS INFORMATION THAT IS PROPRIETARY TO MOLEX ELECTRONIC TECHNOLOGIES, LLC AND SHOULD NOT BE USED WITHOUT WRITTEN PERMISSION		GENERAL TOLERANCES (UNLESS SPECIFIED)		DIMENSION UNITS	SCALE			
▽ = 0	2017/12/12		MM		1:2	PACKAGING SPECIFICATION			
▽ = 0	2018/06/28		ANGULAR TOL ±		DRWN BY	DATE	IMPEL ORTHO 6P DAUGHTERCARD		
▽ = 0	2018/06/29		4 PLACES ±		DWLEE01	2013/03/08	PACKAGING DESIGN DRAWING		
▽ = 0	MIGRATED TO NX		3 PLACES ±		CHK'D BY	DATE	SERIES MATERIAL NUMBER CUSTOMER		
▽ = 0	EC NO: 177860		2 PLACES ±		APPR BY	DATE	78888 78888-8241 GENERAL MARKET		
▽ = 0	DRWN: TMARRI		1 PLACE ±		SHLENI	2016/09/14	DOCUMENT NUMBER DOC TYPE DOC PART SHEET NUMBER		
▽ = 0	CHKD: JLTAN06		0 PLACES ±		DRAWING SIZE THIRD ANGLE PROJECTION		PK-78888-241 PDD 001 1 OF 1		
▽ = 0	REV APPR: DWLEE01		DRAFT WHERE APPLICABLE MUST REMAIN WITHIN DIMENSIONS		A2				