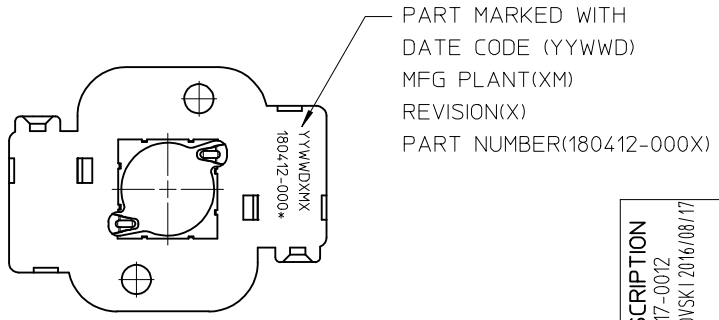
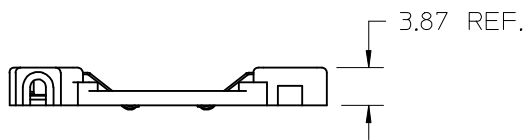
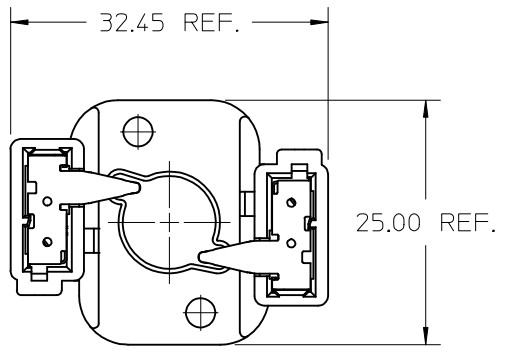


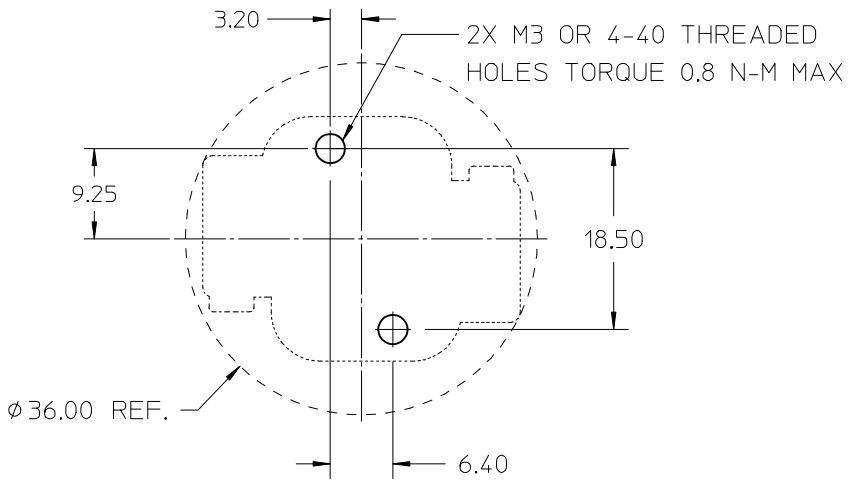
| 10 | 9 | 8 | 7 | 6 | 5 | 4 | 3 | 2 | 1 |
|-------------|-----------------------------------|---|---|---|---|---|---|---|---|
| PART NUMBER | DESCRIPTION | | | | | | | | |
| 180412-0001 | HOLDER ASSEMBLY - NO CAP | | | | | | | | |
| 180412-0002 | HOLDER ASSEMBLY - CAP WITH TAB | | | | | | | | |
| 180412-0003 | HOLDER ASSEMBLY - CAP WITHOUT TAB | | | | | | | | |

- NOTES:
1. MATERIALS: HOUSING: POLYAMIDE (PA66), GLASS FILLED, UL94V-0, 5VA (89992-0289); CAP: POLYAMIDE (PA66) UNFILLED, UL94V-0 (89992-0922); TERMINAL: COPPER ALLOY
 2. FINISHES: TERMINAL: NICKEL (Ni) UNDERPLATE 1.27 μ m, SELECT TIN (Sn) 2.54 μ m, SELECT GOLD (Au) 0.76 μ m
 3. PRODUCT SPECIFICATION: PS-180412-001
 4. PACKAGING SPECIFICATION: PK-180412-001
 5. APPLICATION SPECIFICATION: AS-180412-001
 6. FOR USE WITH: CITIZEN COB SERIES CLL010 LED
 7. HOLDER ASSEMBLY AVAILABLE WITH OPTIONAL CAP SEE CHART FOR PART NUMBERS
 8. WIRE GAUGE: 18 OR 20 AWG, SOLID OR STRANDED WITH TIN OVERCOAT. STRIP LENGTH 1CM.
 9. UL:OLFB2 UL496 FILE: E345583.
 10. REFERENCE PS-180412-001 FOR RoHAS REQUIREMENTS.

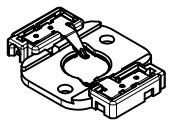


PART MARKED WITH
DATE CODE (YYWWD)
MFG PLANT(XM)
REVISION(X)
PART NUMBER(180412-000X)

HOLDER ASSEMBLY - NO CAP



RECOMMENDED MOUNTING DIMENSIONS

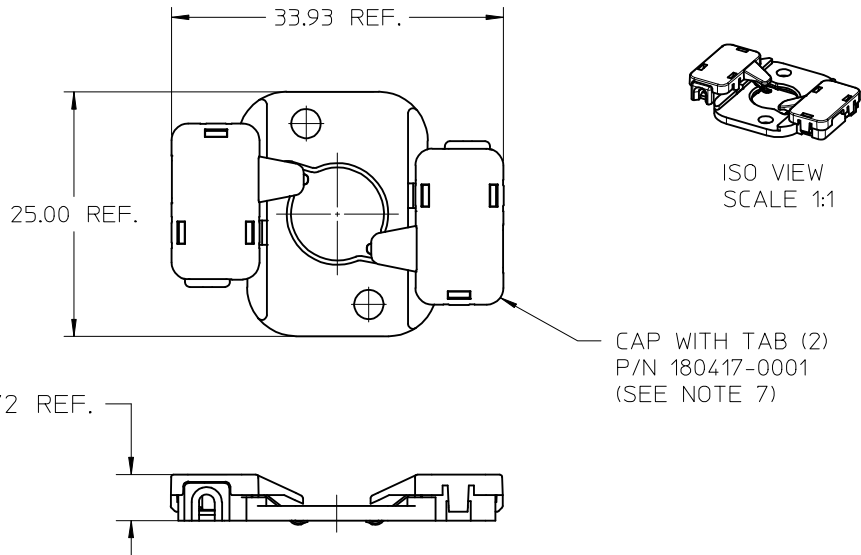


ISO VIEW
Scale 1:1

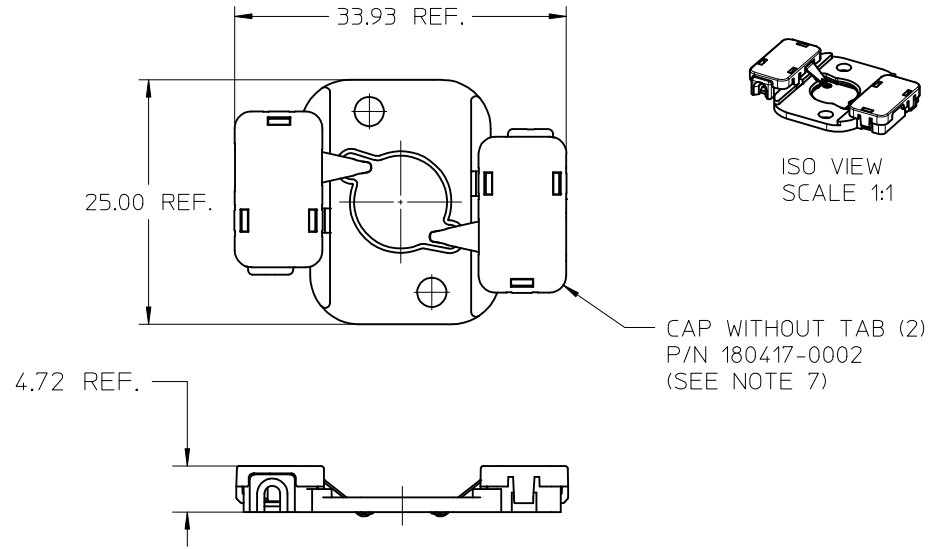
| | | | | | | | | |
|--|--|------------------|---|------------------|-------|--------------|------------------------|-----------|
| ENTER DESCRIPTION EC NO: SSL2017-0012 DRWNL:ZABJANOVSKI 2016/08/17 CHKD: APPR:GMEYER 2016/09/21 | DESCRIPTION REV | QUALITY SYMBOLS | GENERAL TOLERANCES (UNLESS SPECIFIED) | DIMENSION STYLE | SCALE | DESIGN UNITS | THIRD ANGLE PROJECTION | |
| | | $\nabla=0$ | mm INCH | MM ONLY | 2:1 | METRIC | | |
| | | $\nabla=0$ | 4 PLACES \pm --- \pm --- | DRAWN BY DATE | TITLE | MATERIAL NO. | DOCUMENT NO. | SHEET NO. |
| | | $\nabla=0$ | 3 PLACES \pm --- \pm --- | MCOLE 2012/01/30 | | | | |
| | 2 PLACES \pm 0.13 \pm --- | CHECKED BY DATE | MOLEX INCORPORATED | | | | | |
| | 1 PLACE \pm 0.25 \pm --- | MCOLE 2012/05/15 | MATERIAL NO. SEE CHART | | | | | |
| | ANGULAR \pm 1/2° | APPROVED BY DATE | THIS DRAWING CONTAINS INFORMATION THAT IS PROPRIETARY TO MOLEX INCORPORATED AND SHOULD NOT BE USED WITHOUT WRITTEN PERMISSION | | | | | |
| | DRAFT WHERE APPLICABLE MUST REMAIN WITHIN DIMENSIONS | | | | | | | |

10 9 8 7 6 5 4 3 2 1

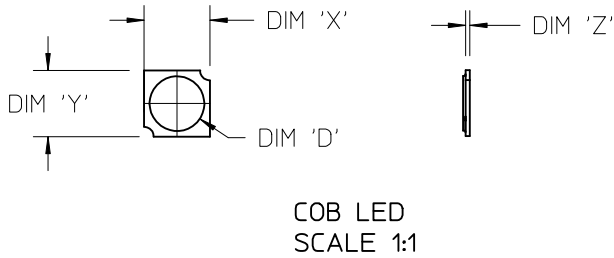
HOLDER ASSEMBLY - CAP WITH TAB



HOLDER ASSEMBLY - CAP WITHOUT TAB



| COB MFG | TYPE | DIM 'X' | DIM 'Y' | DIM 'Z' | DIM 'D' |
|---------|----------------|---------|---------|---------|---------|
| CITIZEN | CLL010, CLL012 | 9.5 | 9.5 | 0.90 | 7.4 |



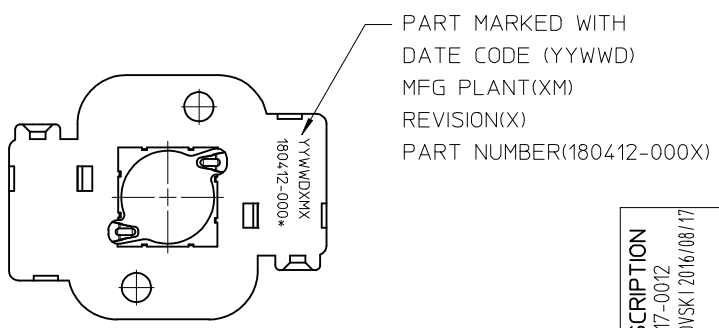
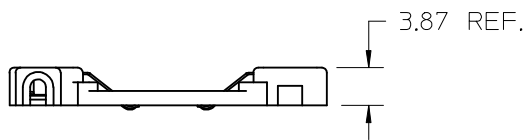
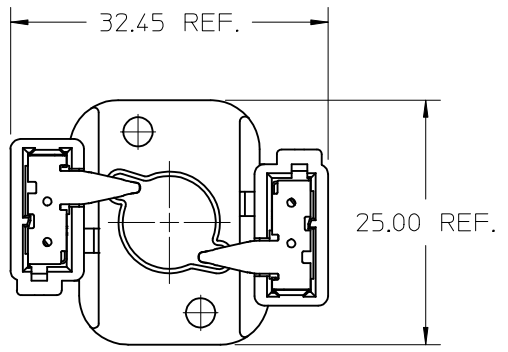
COB LED
SCALE 1:1

| ENTER DESCRIPTION EC NO: SSL2017-0012 /DRWNLZABJANOVSKI 2016/08/17 CHKD: APPR:GMEYER 2016/09/21 REV B2 | QUALITY SYMBOLS $\nabla=0$ $\nabla=0$ $\nabla=0$ | GENERAL TOLERANCES (UNLESS SPECIFIED) <table border="1"> <thead> <tr> <th></th> <th>mm</th> <th>INCH</th> </tr> </thead> <tbody> <tr> <td>4 PLACES</td> <td>± ---</td> <td>± ---</td> </tr> <tr> <td>3 PLACES</td> <td>± ---</td> <td>± ---</td> </tr> <tr> <td>2 PLACES</td> <td>± 0.13</td> <td>± ---</td> </tr> <tr> <td>1 PLACE</td> <td>± 0.25</td> <td>± ---</td> </tr> <tr> <td>0 PLACE</td> <td>± ---</td> <td>± ---</td> </tr> </tbody> </table> | | mm | INCH | 4 PLACES | ± --- | ± --- | 3 PLACES | ± --- | ± --- | 2 PLACES | ± 0.13 | ± --- | 1 PLACE | ± 0.25 | ± --- | 0 PLACE | ± --- | ± --- | DIMENSION STYLE MM ONLY DRAWN BY DATE MCOLE 2012/01/30 CHECKED BY DATE MCOLE 2012/05/15 APPROVED BY DATE | SCALE 2:1 DESIGN UNITS METRIC THIRD ANGLE PROJECTION | TITLE CITIZEN COB SERIES 9.5MM X 9.5MM HOLDER ASSEMBLY molex |
|---|---|--|----------------------------|----|------|----------|-------|-------|----------|-------|-------|----------|--------|-------|---------|--------|-------|---------|-------|-------|---|--|--|
| | | mm | INCH | | | | | | | | | | | | | | | | | | | | |
| | 4 PLACES | ± --- | ± --- | | | | | | | | | | | | | | | | | | | | |
| | 3 PLACES | ± --- | ± --- | | | | | | | | | | | | | | | | | | | | |
| | 2 PLACES | ± 0.13 | ± --- | | | | | | | | | | | | | | | | | | | | |
| 1 PLACE | ± 0.25 | ± --- | | | | | | | | | | | | | | | | | | | | | |
| 0 PLACE | ± --- | ± --- | | | | | | | | | | | | | | | | | | | | | |
| DRAFT WHERE APPLICABLE MUST REMAIN WITHIN DIMENSIONS | MATERIAL NO. SEE CHART | DOCUMENT NO. SD-180412-001 | SHEET NO. 2 OF 2 | | | | | | | | | | | | | | | | | | | | |
| THIS DRAWING CONTAINS INFORMATION THAT IS PROPRIETARY TO MOLEX INCORPORATED AND SHOULD NOT BE USED WITHOUT WRITTEN PERMISSION | | | | | | | | | | | | | | | | | | | | | | | |

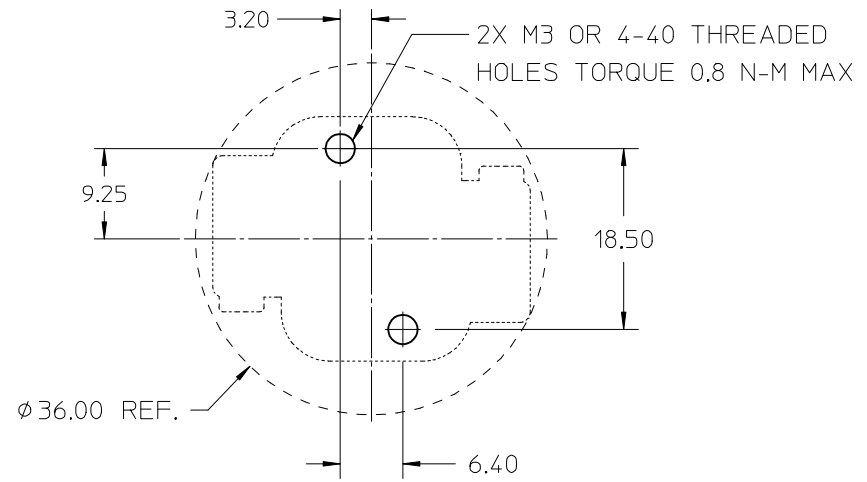
9 8 7 6 5 4 3 2 1

| 10 | 9 | 8 | 7 |
|-------------|-----------------------------------|---|---|
| PART NUMBER | DESCRIPTION | | |
| 180412-0001 | HOLDER ASSEMBLY - NO CAP | | |
| 180412-0002 | HOLDER ASSEMBLY - CAP WITH TAB | | |
| 180412-0003 | HOLDER ASSEMBLY - CAP WITHOUT TAB | | |

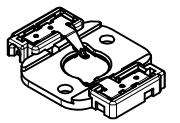
- NOTES:
1. MATERIALS: HOUSING: POLYAMIDE (PA66), GLASS FILLED, UL94V-0, 5VA (89992-0289); CAP: POLYAMIDE (PA66) UNFILLED, UL94V-0 (89992-0922); TERMINAL: COPPER ALLOY
 2. FINISHES: TERMINAL: NICKEL (Ni) UNDERPLATE 1.27 μ m, SELECT TIN (Sn) 2.54 μ m, SELECT GOLD (Au) 0.76 μ m
 3. PRODUCT SPECIFICATION: PS-180412-001
 4. PACKAGING SPECIFICATION: PK-180412-001
 5. APPLICATION SPECIFICATION: AS-180412-001
 6. FOR USE WITH: CITIZEN COB SERIES CLL010 LED
 7. HOLDER ASSEMBLY AVAILABLE WITH OPTIONAL CAP SEE CHART FOR PART NUMBERS
 8. WIRE GAUGE: 18 OR 20 AWG, SOLID OR STRANDED WITH TIN OVERCOAT. STRIP LENGTH 1CM.
 9. UL:OLFB2 UL496 FILE: E345583.
 10. REFERENCE PS-180412-001 FOR RoHAS REQUIREMENTS.



HOLDER ASSEMBLY - NO CAP



RECOMMENDED MOUNTING DIMENSIONS

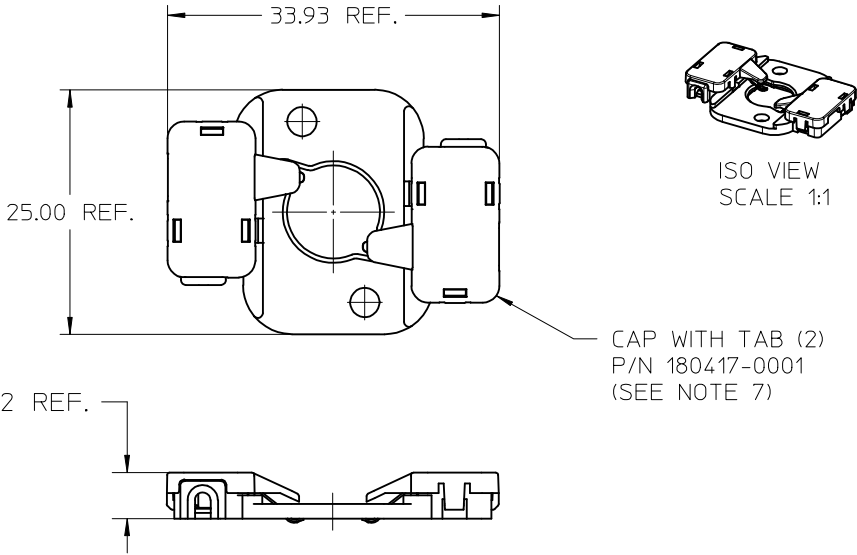


ISO VIEW Scale 1:1

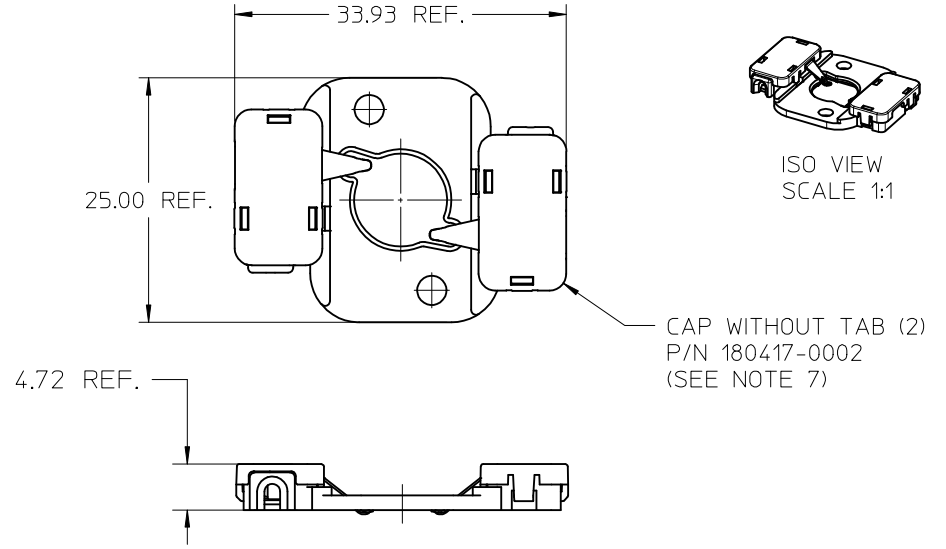
| | | | | | | |
|--|-----------------------|--|-----------------|---|---------------------------|---|
| ENTER DESCRIPTION EC NO: SSL2017-0012 DRAWN: ZABJANOVSKI 2016/08/17 CHKD: APPR: GMEYER 2016/09/21 | QUALITY SYMBOLS | GENERAL TOLERANCES (UNLESS SPECIFIED) | DIMENSION STYLE | SCALE | DESIGN UNITS | THIRD ANGLE PROJECTION |
| | $\nabla = 0$ | mm INCH | MM ONLY | 2:1 | METRIC | |
| | $\nabla = 0$ | 4 PLACES ± --- ± --- | DRAWN BY DATE | MCOLE 2012/01/30 | MOLEX INCORPORATED | CITIZEN COB SERIES 9.5MM X 9.5MM HOLDER ASSEMBLY |
| | $\nabla = 0$ | 3 PLACES ± --- ± --- | CHECKED BY DATE | MCOLE 2012/05/15 | | |
| | 2 PLACES ± 0.13 ± --- | MATERIAL NO. | SEE CHART | DOCUMENT NO. | SD-180412-001 | SHEET NO. |
| | 1 PLACE ± 0.25 ± --- | DRAFT WHERE APPLICABLE MUST REMAIN WITHIN DIMENSIONS | SIZE B | THIS DRAWING CONTAINS INFORMATION THAT IS PROPRIETARY TO MOLEX INCORPORATED AND SHOULD NOT BE USED WITHOUT WRITTEN PERMISSION | | 1 OF 2 |

10 9 8 7 6 5 4 3 2 1

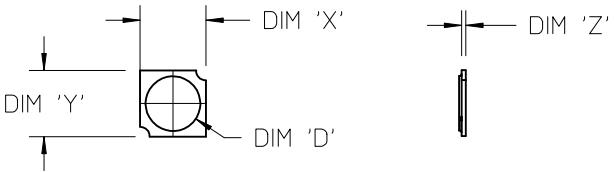
HOLDER ASSEMBLY - CAP WITH TAB



HOLDER ASSEMBLY - CAP WITHOUT TAB



| COB MFG | TYPE | DIM 'X' | DIM 'Y' | DIM 'Z' | DIM 'D' |
|---------|----------------|---------|---------|---------|---------|
| CITIZEN | CLL010, CLL012 | 9.5 | 9.5 | 0.90 | 7.4 |



COB LED
SCALE 1:1

| ENTER DESCRIPTION EC NO: SSL2017-0012 /DRWNLZABJANOVSKI 2016/08/17 CHKD: APPR:GMEYER 2016/09/21 REV B2 | QUALITY SYMBOLS ▽=0 ▽=0 ▽=0 | GENERAL TOLERANCES (UNLESS SPECIFIED) <table border="1"> <thead> <tr> <th></th> <th>mm</th> <th>INCH</th> </tr> </thead> <tbody> <tr> <td>4 PLACES</td> <td>± ---</td> <td>± ---</td> </tr> <tr> <td>3 PLACES</td> <td>± ---</td> <td>± ---</td> </tr> <tr> <td>2 PLACES</td> <td>± 0.13</td> <td>± ---</td> </tr> <tr> <td>1 PLACE</td> <td>± 0.25</td> <td>± ---</td> </tr> <tr> <td>0 PLACE</td> <td>± ---</td> <td>± ---</td> </tr> </tbody> </table> | | mm | INCH | 4 PLACES | ± --- | ± --- | 3 PLACES | ± --- | ± --- | 2 PLACES | ± 0.13 | ± --- | 1 PLACE | ± 0.25 | ± --- | 0 PLACE | ± --- | ± --- | DIMENSION STYLE MM ONLY | SCALE 2:1 | DESIGN UNITS METRIC | THIRD ANGLE PROJECTION |
|--|--------------------------------------|--|---------------------------------|--------------------|---|---------------------|-------|-------|----------|-------|-------|----------|--------|-------|---------|--------|-------|---------|-------|-------|-----------------------------------|---------------------|-------------------------------|------------------------|
| | | mm | INCH | | | | | | | | | | | | | | | | | | | | | |
| | 4 PLACES | ± --- | ± --- | | | | | | | | | | | | | | | | | | | | | |
| | 3 PLACES | ± --- | ± --- | | | | | | | | | | | | | | | | | | | | | |
| | 2 PLACES | ± 0.13 | ± --- | | | | | | | | | | | | | | | | | | | | | |
| 1 PLACE | ± 0.25 | ± --- | | | | | | | | | | | | | | | | | | | | | | |
| 0 PLACE | ± --- | ± --- | | | | | | | | | | | | | | | | | | | | | | |
| DRAFT WHERE APPLICABLE MUST REMAIN WITHIN DIMENSIONS | | MATERIAL NO. SEE CHART | DRAWN BY MCOLE | DATE 2012/01/30 | TITLE CITIZEN COB SERIES 9.5MM X 9.5MM HOLDER ASSEMBLY | SHEET NO. 2 OF 2 | | | | | | | | | | | | | | | | | | |
| | | DOCUMENT NO. SD-180412-001 | APPROVED BY MCOLE 2012/05/15 | | THIS DRAWING CONTAINS INFORMATION THAT IS PROPRIETARY TO MOLEX INCORPORATED AND SHOULD NOT BE USED WITHOUT WRITTEN PERMISSION | | | | | | | | | | | | | | | | | | | |
| | | ANGULAR ±1/2° | | | | | | | | | | | | | | | | | | | | | | |
| | | | | | | | | | | | | | | | | | | | | | | | | |

9 8 7 6 5 4 3 2 1