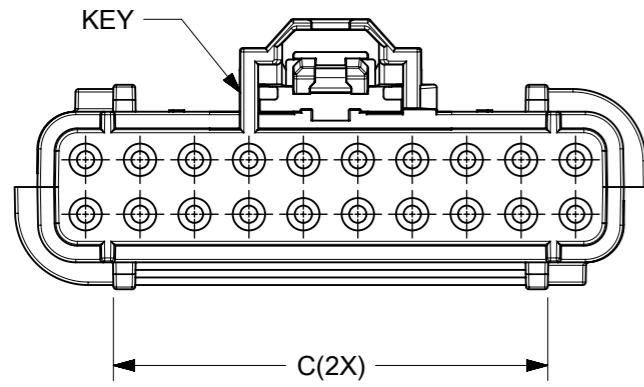


PART NUMBER	PART DESCRIPTION	A	B	C
205926-0170	MULTICAT MID POWER RECEPTACLE HOUSING 20CKT, WITH CPA, KEY A	38.78	41.78	28.78
205926-0171	MULTICAT MID POWER RECEPTACLE HOUSING 20CKT, WITH CPA, KEY B	38.78	41.78	28.78
205926-0070	MULTICAT MID POWER RECEPTACLE HOUSING 20CKT, WITHOUT CPA, KEY A	38.78	41.78	28.78
205926-0071	MULTICAT MID POWER RECEPTACLE HOUSING 20CKT, WITHOUT CPA, KEY B	38.78	41.78	28.78
205926-0110	MULTICAT MID POWER RECEPTACLE HOUSING 8 CKT, WITH CPA, KEY A	19.18	22.18	14.99
205926-0111	MULTICAT MID POWER RECEPTACLE HOUSING 8 CKT, WITH CPA, KEY B	19.18	22.18	14.99
205926-0010	MULTICAT MID POWER RECEPTACLE HOUSING 8 CKT, WITHOUT CPA, KEY A	19.18	22.18	14.99
205926-0011	MULTICAT MID POWER RECEPTACLE HOUSING 8 CKT, WITHOUT CPA, KEY B	19.18	22.18	14.99

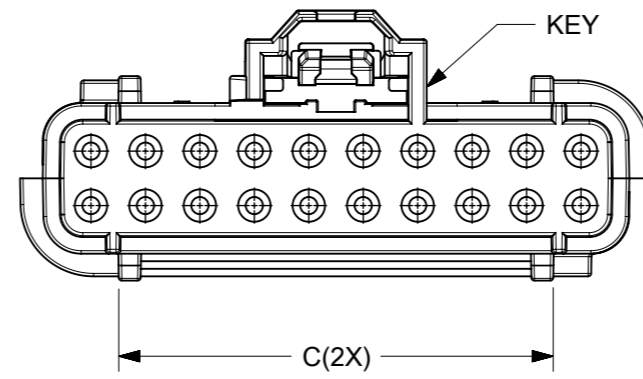
- NOTES:
- HOUSING MATERIAL:  
PEI,  
UL RATED 94V-0  
COLOR: BLACK (FOR KEY-A)  
COLOR: NATURAL (FOR KEY-B)
  - CPA MATERIAL: PBT  
COLOR: RED
  - USED WITH TERMINAL SERIES 202936
  - SHALL CONFIRM TO PRODUCT SPECIFICATION : 2059250000-PS
  - APPLICATION SPECIFICATION: 2059250000-AS
  - TEST SUMMARY: 2059250000-TS
  - COMPLY WITH PACKAGING SPECIFICATION : 2059260000-PK
  - COSMETIC SPECIFICATION PS-45499-002 CLASS B
  - RECOMMENDED TO USE INSERTION TOOL FOR TERMINAL INSERTION IN TO HOUSING CAVITY

THIS DRAWING CONTAINS INFORMATION THAT IS PROPRIETARY TO MOLEX ELECTRONIC TECHNOLOGIES, LLC AND SHOULD NOT BE USED WITHOUT WRITTEN PERMISSION

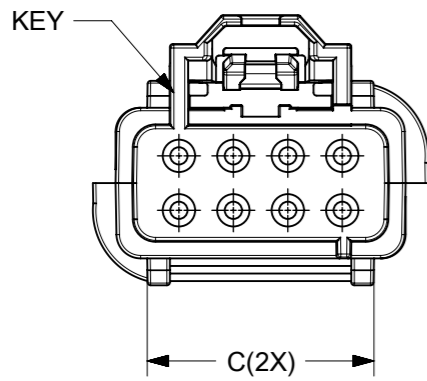
DIMENSION UNITS	SCALE	CURRENT REV DESC: INITIAL RELEASE		<b>molex</b>		
mm	2:1					
GENERAL TOLERANCES (UNLESS SPECIFIED)		EC NO: 611846		MULTICAT MID POWER RECEPTACLE HOUSING WTW		
ANGULAR TOL	± °	DRWN: MBELLE	2018/01/29			
4 PLACES	±	CHK'D: ISHWARG	2019/02/11			
3 PLACES	±	APPR: ISHWARG	2019/02/11	PRODUCT CUSTOMER DRAWING		
2 PLACES	± 0.25	INITIAL REVISION:		DOCUMENT NUMBER	DOC TYPE	DOC PART
1 PLACE	±	DRWN: MBELLE	2018/01/29	2059260000-SD	PSD	000
0 PLACES	±	APPR: ISHWARG	2019/02/11			A
DRAFT WHERE APPLICABLE MUST REMAIN WITHIN DIMENSIONS	THIRD ANGLE PROJECTION	DRAWING	SERIES	MATERIAL NUMBER	CUSTOMER	SHEET NUMBER
		A3-SIZE	205926	SEE TABLE	GENERAL MARKET	1 OF 3



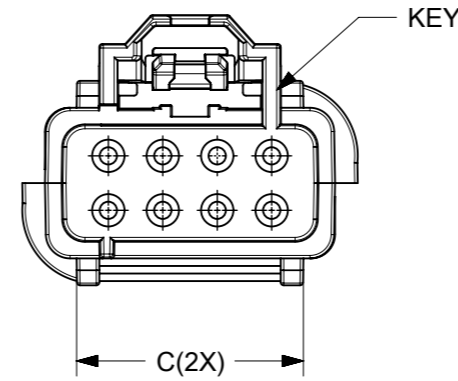
PN 2059260070  
KEY A(BLACK)



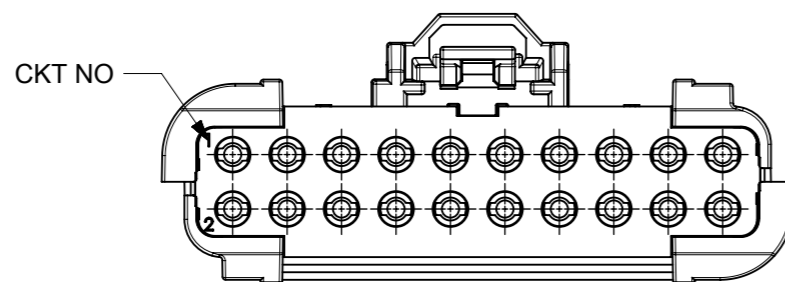
PN 2059260071  
KEY B(NATURAL)



PN 2059260010  
KEY A(BLACK)

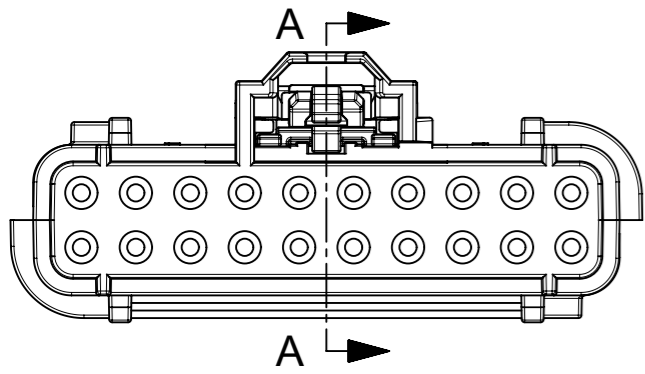


PN 2059260011  
KEY B(NATURAL)

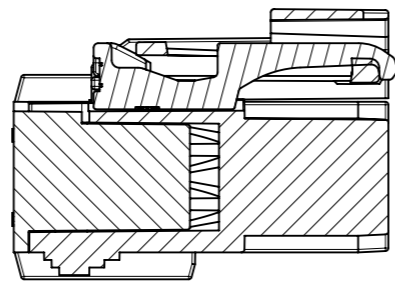


THIS DRAWING CONTAINS INFORMATION THAT IS PROPRIETARY TO MOLEX ELECTRONIC TECHNOLOGIES, LLC AND SHOULD NOT BE USED WITHOUT WRITTEN PERMISSION									
DIMENSION UNITS		SCALE		CURRENT REV DESC: INITIAL RELEASE				<b>molex</b>	
mm		2:1							
GENERAL TOLERANCES (UNLESS SPECIFIED)				EC NO: 611846				MULTICAT MID POWER RECEPTACLE HOUSING	
ANGULAR TOL ± °				DRWN: MBELLE 2018/01/29				WTW	
4 PLACES ±				CHK'D: ISHWARG 2019/02/11				PRODUCT CUSTOMER DRAWING	
3 PLACES ±				APPR: ISHWARG 2019/02/11				DOCUMENT NUMBER	
2 PLACES ± 0.25				INITIAL REVISION:				2059260000-SD	
1 PLACE ±				DRWN: MBELLE 2018/01/29				DOC TYPE	
0 PLACES ±				APPR: ISHWARG 2019/02/11				PSD	
DRAFT WHERE APPLICABLE MUST REMAIN WITHIN DIMENSIONS		THIRD ANGLE PROJECTION		DRAWING		SERIES		REVISION	
				A3-SIZE		205926		000 A	
				MATERIAL NUMBER		CUSTOMER		SHEET NUMBER	
				SEE TABLE		GENERAL MARKET		2 OF 3	

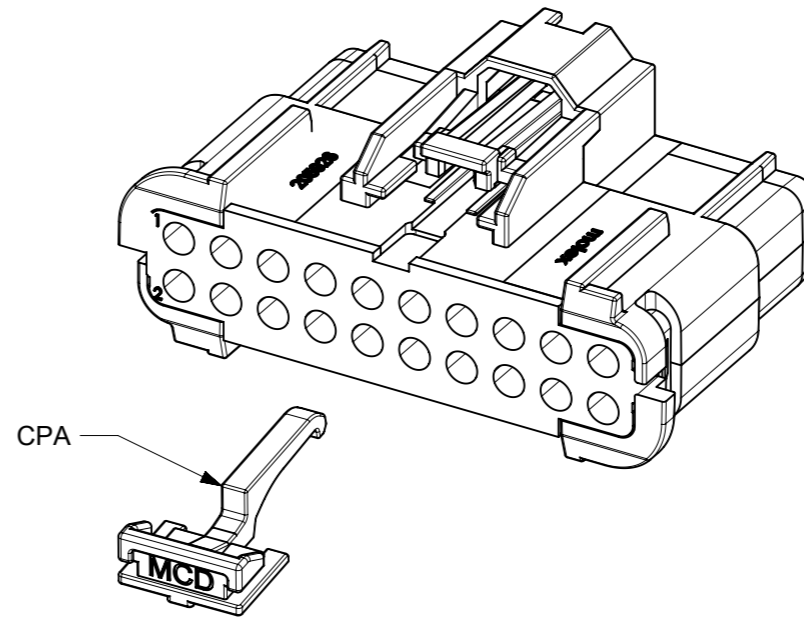
RECEPTACLE HOUSING WITH CPA



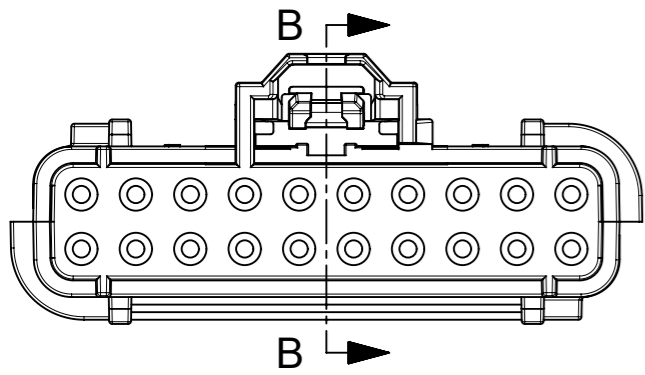
PN: 205926-01XX



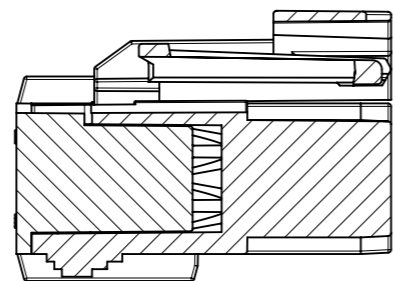
SECTION A-A



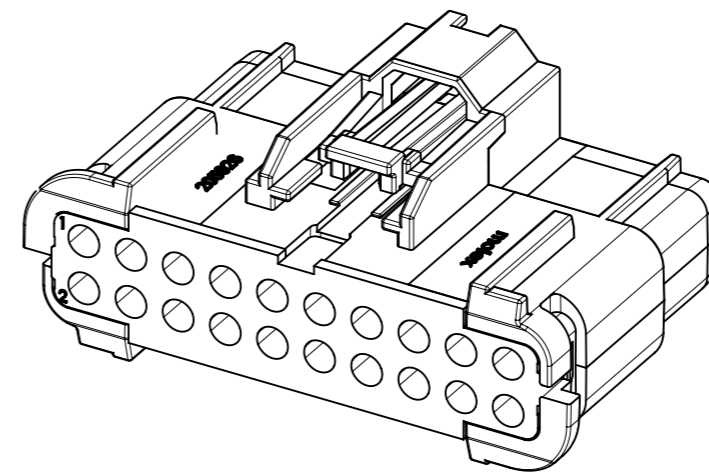
RECEPTACLE HOUSING WITHOUT CPA



PN: 205926-00XX



SECTION B-B



THIS DRAWING CONTAINS INFORMATION THAT IS PROPRIETARY TO MOLEX ELECTRONIC TECHNOLOGIES, LLC AND SHOULD NOT BE USED WITHOUT WRITTEN PERMISSION											
DIMENSION UNITS		SCALE		CURRENT REV DESC: INITIAL RELEASE							
mm		2:1		<b>molex</b> MULTICAT MID POWER RECEPTACLE HOUSING WTW							
GENERAL TOLERANCES (UNLESS SPECIFIED)											
ANGULAR TOL ± °				EC NO: 611846							
4 PLACES ±				DRWN: MBELLE 2018/01/29							
3 PLACES ±				CHK'D: ISHWARG 2019/02/11							
2 PLACES ± 0.25				APPR: ISHWARG 2019/02/11							
1 PLACE ±				INITIAL REVISION:							
0 PLACES ±				DRWN: MBELLE 2018/01/29							
DRAFT WHERE APPLICABLE MUST REMAIN WITHIN DIMENSIONS				THIRD ANGLE PROJECTION		DRAWING		SERIES		MATERIAL NUMBER	
						A3-SIZE		205926		2059260000-SD	
DOCUMENT STATUS				P1		RELEASE DATE		2019/02/11		17:41:24	
								CUSTOMER		GENERAL MARKET	
								DOC TYPE		PSD	
								DOC PART		000	
								REVISION		A	
								SHEET NUMBER		3 OF 3	