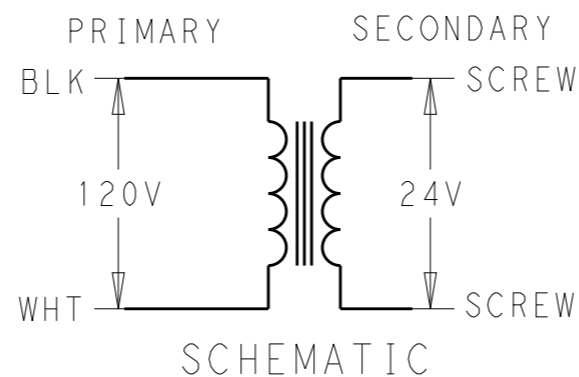
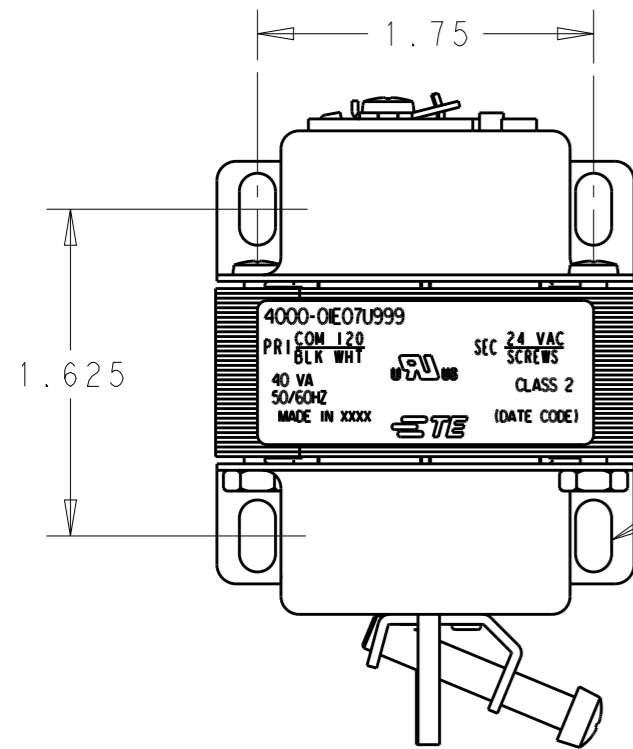


P	LTR	DESCRIPTION	DATE	DWN	APVD
	B	ECR-19-003884	23JUN2020	VS	DB

CERTIFICATION: UL & cUL FILE NO. E87824

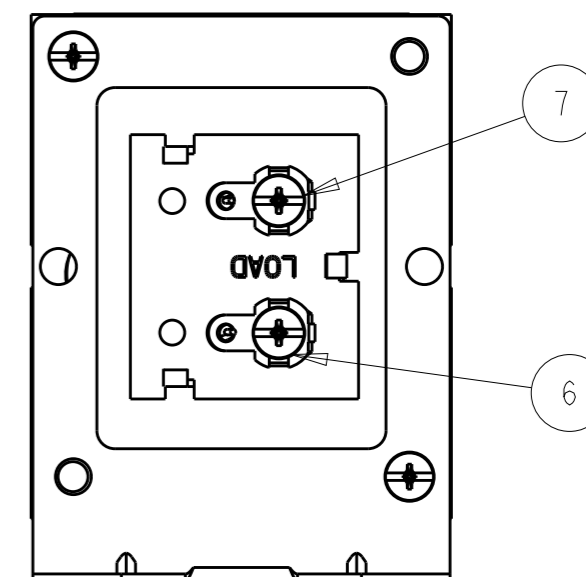
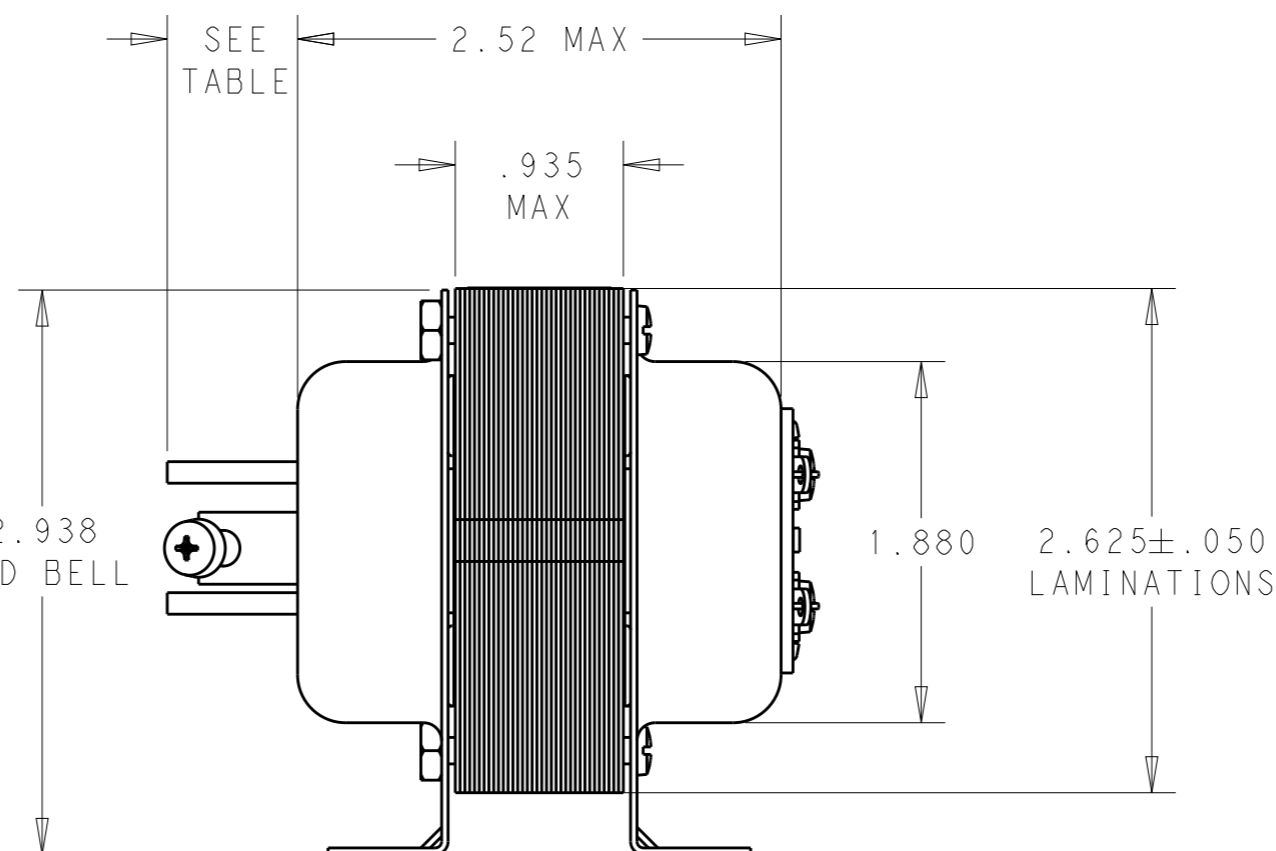
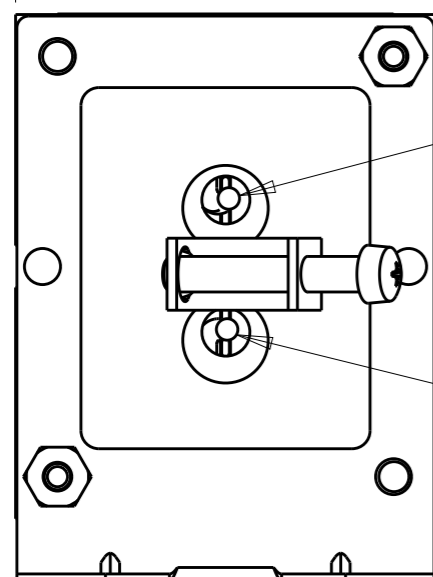
PRIMARY			SECONDARY		
LEAD NO.	1	2	LEAD NO.	6	7
VOLTAGE	COM	120	VOLTAGE	24	VAC
COLOR	BLK	WHT	COLOR	---	---
LENGTH	12.0	12.0	LENGTH	SCREW	SCREW
STRIP LENGTH	.50		STRIP LENGTH	---	

1. ALL LEADS ARE 18AWG UNLESS OTHERWISE SPECIFIED AND HAVE A TOLERANCE OF +1.0/-0.
2. STRIP TOLERANCE IS ±1/32.
3. WINDING PROTECTION: INHERENTLY LIMITING.



.188 X .375  
4X

2.188 ± .050  
LAMINATIONS



4-1611453-9  
TE PART NO.

THIS DRAWING IS A CONTROLLED DOCUMENT.		DWN	VIC SLACK	12MAR2019	<b>TE</b> TE Connectivity											
DIMENSIONS: INCHES		CHK	D. BLOESCH	12MAR2019												
TOLERANCES UNLESS OTHERWISE SPECIFIED:		APVD	D. BLOESCH	12MAR2019												
<table border="1"> <tr><td>0 PLC</td><td>±-</td></tr> <tr><td>1 PLC</td><td>±.1</td></tr> <tr><td>2 PLC</td><td>±.03</td></tr> <tr><td>3 PLC</td><td>±.015</td></tr> <tr><td>4 PLC</td><td>±-</td></tr> <tr><td>ANGLES</td><td>±-</td></tr> </table>		0 PLC	±-	1 PLC		±.1	2 PLC	±.03	3 PLC	±.015	4 PLC	±-	ANGLES	±-	NAME	
0 PLC	±-															
1 PLC	±.1															
2 PLC	±.03															
3 PLC	±.015															
4 PLC	±-															
ANGLES	±-															
MATERIAL		PRODUCT SPEC		-	SIZE	A3	CAGE CODE	-	DRAWING NO	4000-01E07U999	RESTRICTED TO	-				
FINISH		APPLICATION SPEC		-	SCALE		1:1		SHEET		1 OF 1	REV	B			
-		WEIGHT		-	CUSTOMER DRAWING		-		-		-					