

Digi-Key Electronics

SANYO DENKI

Date: Mar. 15, 2021
 Technology Center
 812-3 SHIMONOGOU, UEDA,
 NAGANO 386-1211, JAPAN

SANYO DENKI CO., LTD.
 COOLING SYSTEMS DIV.
 DESIGN DEPT.
 PHONE: +81 268 37 1721
 FAX: +81 268 37 1734

Notification of change : San Ace 60W (9WPA type)

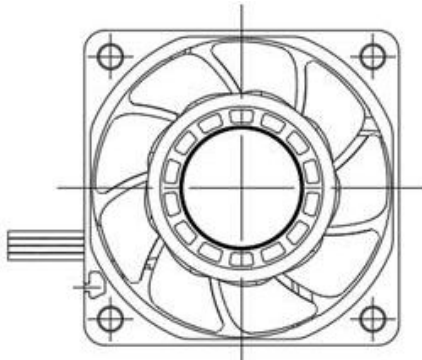
San Ace 60W (9WPA) series has a black patch attached to the top of blade. We will change the size of this patch to standardize the parts. This change has no effect on fan characteristics or reliability.

1. Application models

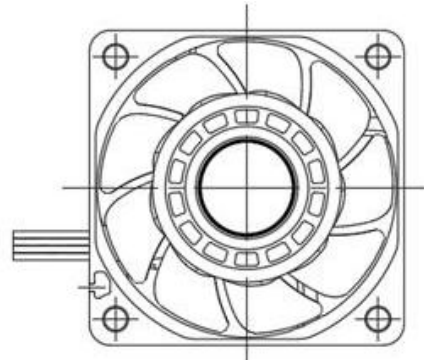
“San Ace 60W (9WPA type)” : 9WPA0612P4G003, 9WPA0624P4G003

2. Change contents

The change in appearance due to resizing of the black patch. ($\phi 23 \rightarrow \phi 18$)



Appearance before change



Appearance after change

3. Scheduled implementation date

We will apply this change from April 15th production.

We appreciate your understanding and cooperation.
 Thank you.

Issued By

Yusuke Okuda
 Design Engineer
 Cooling Systems Division
 Design Department

Approved By

Tomoaki Ikeda
 Department Manager
 Chief Engineer
 Cooling Systems Division
 Design Department