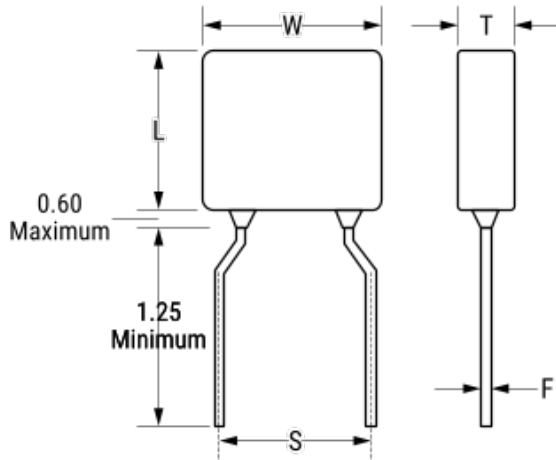


ACR05D181JGA

ACR Indust COG HT200C, Ceramic, 180 pF, 5%, 100 VDC, COG, Commercial, High Temperature, Lead Spacing = 5.08mm



Click [here](#) for the 3D model.

Dimensions

L	5.08mm MAX
W	5.08mm MAX
T	2.54mm MAX
S	5.08mm +/-0.38mm
LL	3.175mm MIN
F	0.508mm +/-0.051mm
G	4mm +0.5/-0.5mm

Packaging Specifications

Packaging	Bulk, Bag
Packaging Quantity	1

General Information

Series	ACR Indust COG HT200C
Style	Radial
Description	Commercial, High Temperature
Features	High Temperature, Commercial
RoHS	No
Prop 65	⚠ WARNING: Cancer and reproductive harm - http://www.p65warnings.ca.gov .
SCIP Number	f2ec9c71-d741-45f9-8d01-f6de6baf235a
Termination	Gold
Failure Rate	N/A
Testing and Reliability	MIL-PRF-20
Qualifications	MIL-PRF-20
AEC-Q200	No

Specifications

Capacitance	180 pF
Capacitance Tolerance	5%
Voltage DC	100 VDC
Dielectric Withstanding Voltage	250 VDC
Temperature Range	-55/+200°C
Temperature Coefficient	COG
Dissipation Factor	0.15% 1 kHz 1.0Vrms
Insulation Resistance	100 GOhms

Statements of suitability for certain applications are based on our knowledge of typical operating conditions for such applications, but are not intended to constitute - and we specifically disclaim - any warranty concerning suitability for a specific customer application or use. This information is intended for use only by customers who have the requisite experience and capability to determine the correct products for their application. Any technical advice inferred from this information or otherwise provided by us with reference to the use of our products is given gratis, and we assume no obligation or liability for the advice given or results obtained.