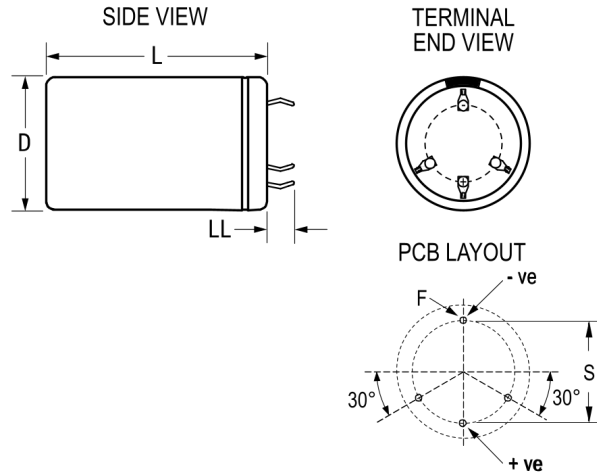


## ALC70E112EB200

Aliases (A546HD112M200E)

ALC70, Aluminum Electrolytic, 1,100 uF, 20%, 200 VDC, -40/+85°C



Click [here](#) for the 3D model.

### Dimensions

D	40mm +1mm
L	30mm +/-2mm
S	22.5mm +/-0.1mm
LL	4mm +/-1mm
F	2mm +/-0.1mm

### Packaging Specifications

Sleeving	Yes
Packaging	Bulk, Bag

### General Information

Series	ALC70
Dielectric	Aluminum Electrolytic
Description	Snap-In, Aluminum Electrolytic
RoHS	Yes
Lead	4 Pin Short
AEC-Q200	No
Halogen Free	Yes
Component Weight	55 g
Notes	Dimensions D And L Include Sleeving.
Shelf Life	156 Weeks

### Specifications

Capacitance	1,100 uF
Capacitance Tolerance	20%
Voltage DC	200 VDC, 230 VDC (Surge)
Temperature Range	-40/+85°C
Rated Temperature	85°C
Life	18000 Hrs (Rated Voltage and Ripple Current at 85C), 29000 Hrs (Rated Voltage at 85C)
Resistance	215.9 mOhms (100Hz 20C), 139.3 mOhms (10kHz 20C)
Ripple Current	2.962 Amps (100Hz 85C), 5.066 Amps (10kHz 85C)
Leakage Current	1320 uA (5min 20°C)