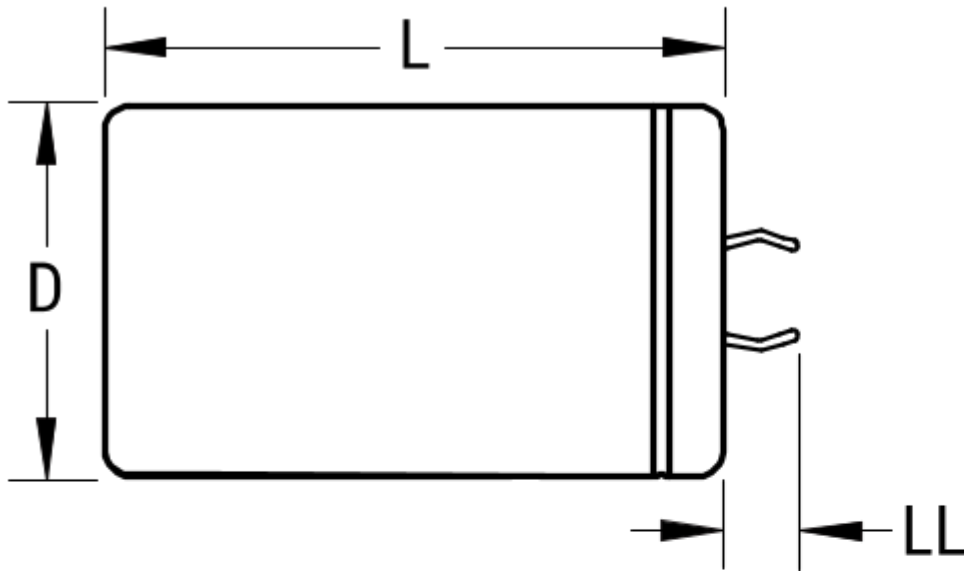


ELG688M050AR6AA

ELG, Aluminum Electrolytic, 6,800 uF, 20%, 50 VDC, -40/+105°C

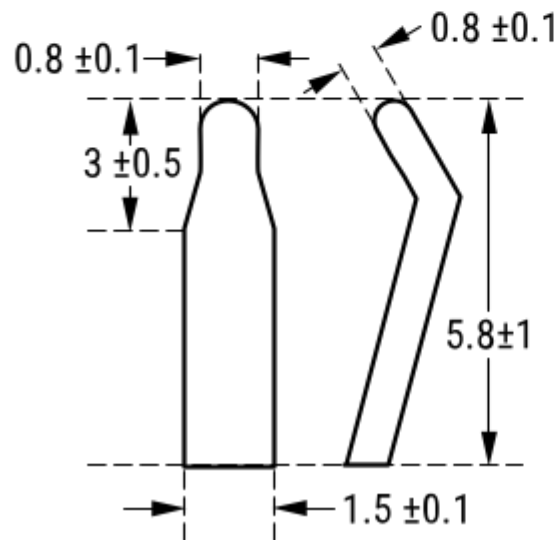
SIDE VIEW



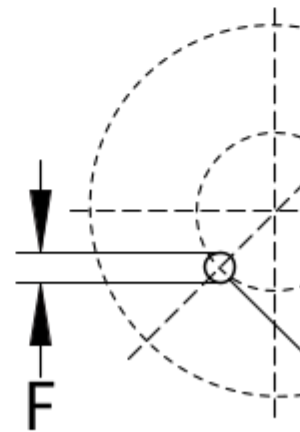
TERMI END V



TERMINAL DETAIL



PCB LA



Click [here](#) for the 3D model.

Dimensions

- D 25mm +1mm
- L 50mm +2mm
- S 10mm +/-0.5mm
- LL 5.8mm +/-1mm
- F 1.5mm +/-0.1mm

Packaging Specifications

Packaging Bulk, Bag

Packaging Quantity 200

General Information

Series ELG

Dielectric Aluminum Electrolytic

Description Snap-In, Aluminum Electrolytic

RoHS Yes

Lead 2 Pin

AEC-Q200 No

Specifications

Capacitance 6,800 uF

Capacitance Tolerance 20%

Voltage DC 50 VDC, 63 VDC (Surge)

Temperature Range -40/+105°C

Rated Temperature 105°C

Life 2000 Hrs

Dissipation Factor 30% 120Hz 20C

Ripple Current 3300 mAmps (120Hz)

Leakage Current 3000 uA (5min 20°C)

Impedance Ratio at -25C 2

Impedance Ratio at -40C 6

Statements of suitability for certain applications are based on our knowledge of typical operating conditions for such applications, but are not intended to constitute - and we specifically disclaim - any warranty concerning suitability for a specific customer application or use. This Information is intended for use only by customers who have the requisite experience and capability to determine the correct products for their application. Any technical advice inferred from this Information or otherwise provided by us with reference to the use of our products is given gratis, and we assume no obligation or liability for the advice given or results obtained.

Generated 5/18/2023 - 2af60710-aa65-4d1f-84ad-d3ff55c971a3

© 2006 - 2023 KEMET

Generated 5/18/2023 - 2af60710-aa65-4d1f-84ad-d3ff55c971a3

© 2006 - 2023 KEMET