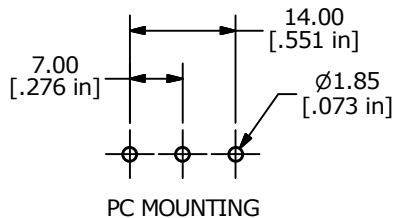


RECOMMENDED PANEL MOUNTING

PANEL THICKNESS	X
0.75-1.25	19.20-19.30
1.25-2.00	19.30-19.40
2.00-3.00	19.50-19.60

SWITCH FUNCTION		
POS. 1	POS. 2	POS. 3
(ON)	OFF	(ON)
(1a-1)	OPEN	(1b-1)

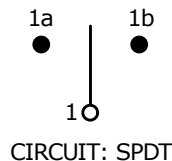
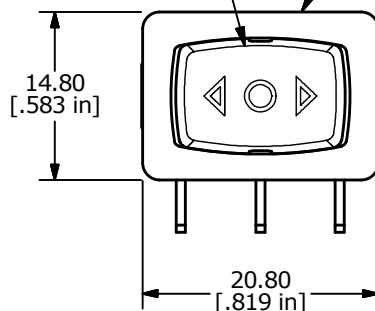
() = MOMENTARY



PC MOUNTING

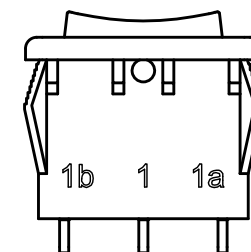
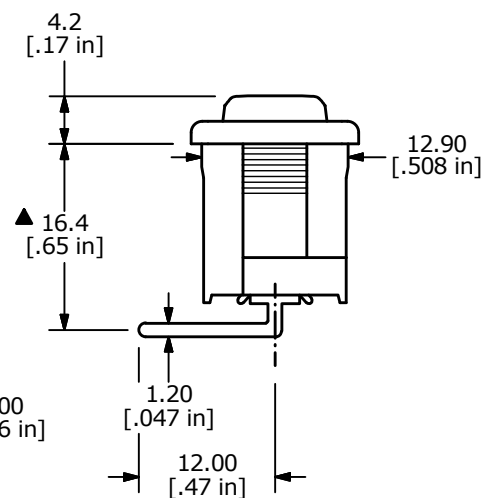
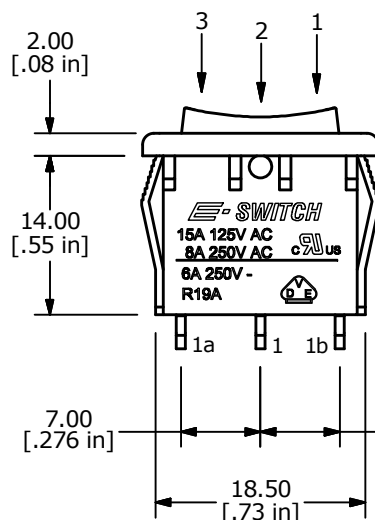
▲ ACTUATOR COLOR:
BLACK WITH
WHITE GRAPHIC

▲ HOUSING
COLOR: BLACK



NOTES:

- ALL DIMENSIONS IN MM [INCH]
- GENERAL TOLERANCE: X.X = ±0.4
X.XX = ±0.25
- TERM. NOS. FOR REF. ONLY
- RATING: 15A @125VAC [cURus]
8A @250VAC [cURus]
6A @250VAC [VDE]
- LAMP VOLTAGE: NO LAMP
- MATERIAL:
CONTACT SURFACE: SILVER ALLOY
TERMINAL: COPPER ALLOY w/SILVER PLATE
- ELECTRICAL LIFE: 10,000 CYCLES
- CONTACT RESISTANCE: <20 MILLI-OHMS INITIAL
- DIELECTRIC STRENGTH: >1,500V AC 1 MIN
- ▲ DENOTES CRITICAL PARAMETER.
- 2011/65/EU (ROHS) COMPLIANT.



REV	PCR NO	DESCRIPTION	DATE	BY
C	23216	UPDATED RATINGS AND DIM. TO 16.4	2/12/18	MJR
B	23185	Reactivate and update drawing	1/26/18	MW

TITLE R1966IBLKBLKHR				
SCALE 3:2	DATE 1/5/2006	DR PH	DWG M302428	REV C

THE INFORMATION CONTAINED IN THIS DOCUMENT IS PROPRIETARY TO E-SWITCH AND IS NOT TO BE COPIED OR TRANSFERRED