

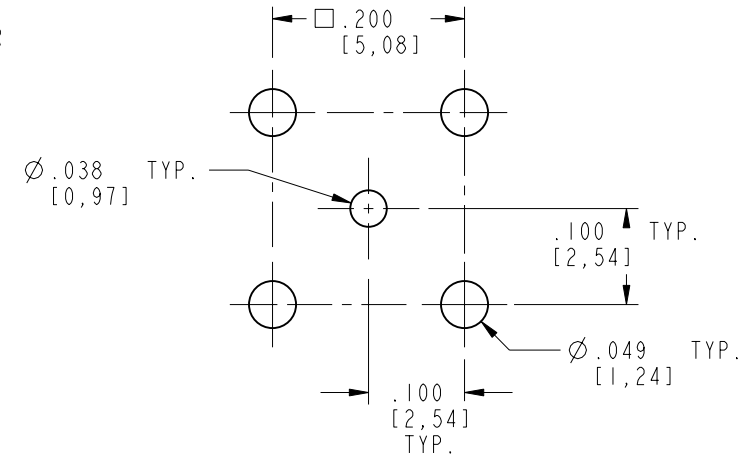
NOTES:

1. MATERIALS AND FINISHES:
 BODY - BRASS, GOLD PLATING, .000030 [0.8] THICK OVER COPPER
 CONTACT - BRASS, GOLD PLATING, .000030 [0.8] THICK OVER COPPER
 INSULATOR - PEEK OR LCP
2. ELECTRICAL:
 A. IMPEDANCE: 50 OHM
 B. FREQUENCY RANGE: DC - 6 GHz
 C. VSWR(RETURN LOSS): 1.10 (26.4 dB), MAX. DC-2 GHz
 1.22 (20 dB), MAX. 2-6 GHz
 D. DIELECTRIC WITHSTANDING VOLTAGE: 500 VRMS, MIN.
3. PHYSICAL:
 A. DURABILITY: 100 CYCLES MIN.
 B. ENGAGEMENT FORCE: 15 LB [67 N] MAX
 C. DISINGAGEMENT FORCE: 2.0 LB [8.8 N] MIN
 D. INNER CONTACT RETENTION FORCE: 1.5 LB [7 N] MIN
 E. TEMPERATURE RANGE: -65° C TO 165° C
4. PACKAGING:
 A. QUANTITY: SINGLE PACK
 B. MARKING:
 AMPHENOL
 SMP-MSFD-PCT
 DATE CODE
 QTY

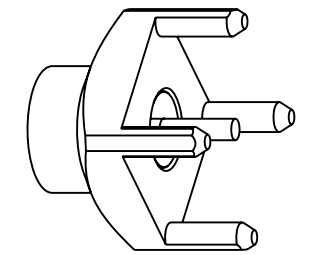
THIRD ANGLE PROJ.

REVISIONS

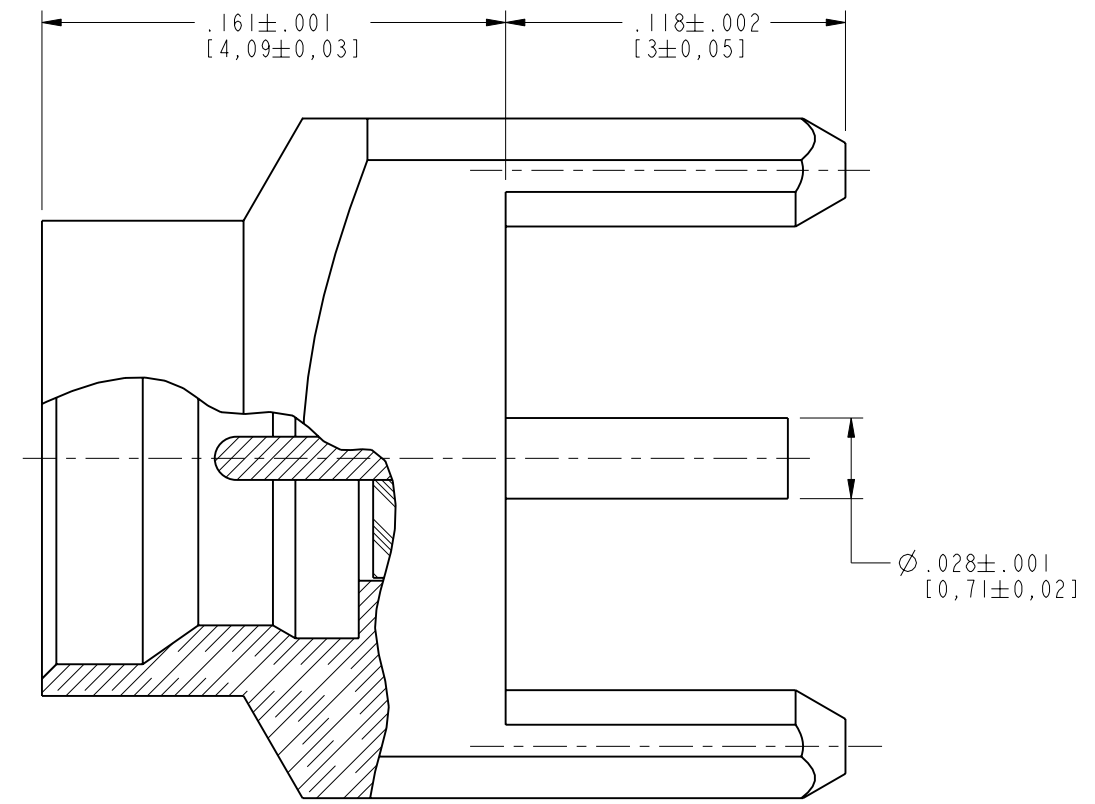
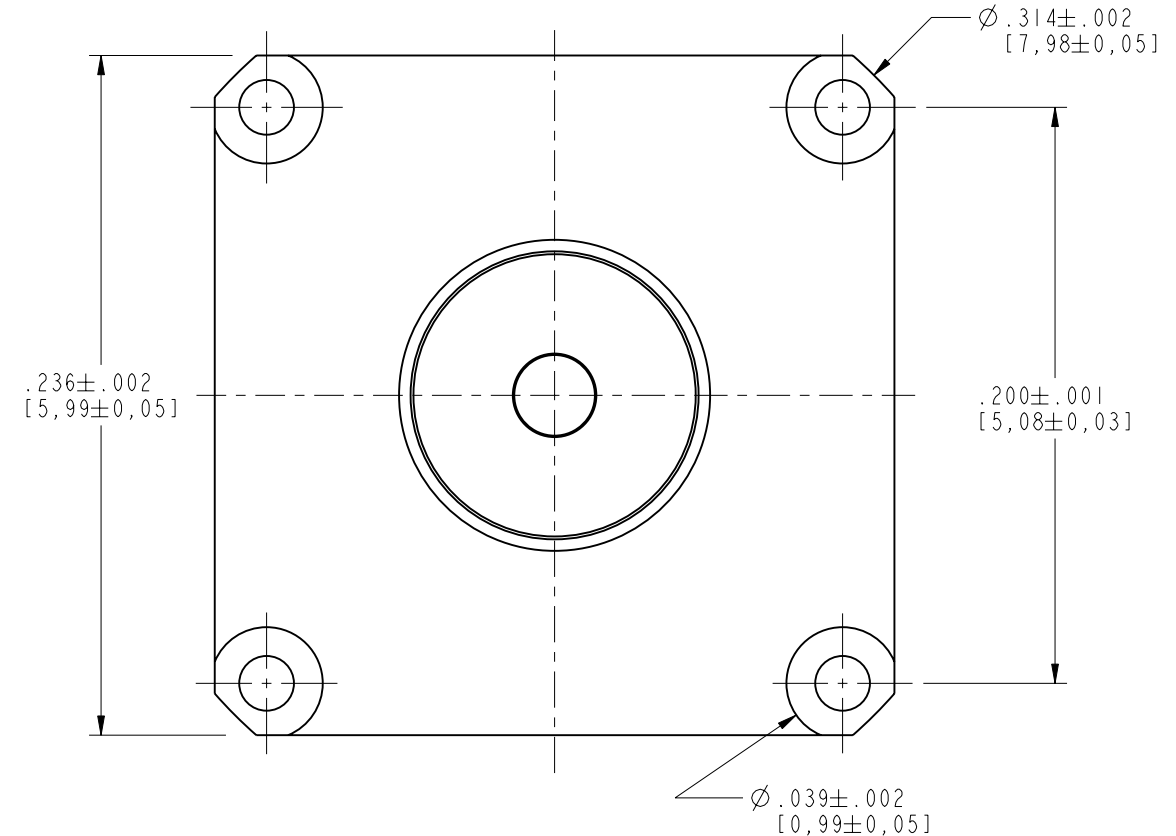
REV	DESCRIPTION	DATE	ECO	APPR
A	RELEASE TO MFG	4/10/07	46547	CPM
B	CHGE NOTE 3 B FROM 2 TO 15 LB; 3C FROM .5 TO 5.0 LB	6/8/07	46578	CPM
C	ADD RECOMMENDED FOOTPRINT LAYOUT, ADD DUAL DIMS MODIFY NOTE 3 \RD-DMI6070601S2	06-Jul-16	51039	KCE



RECOMMENDED MOUNTING FOOTPRINT



SCALE 4.000



SECTION B-B

CUSTOMER OUTLINE DRAWING
ALL OTHER SHEETS ARE FOR INTERNAL USE ONLY

UNLESS OTHERWISE SPECIFIED, DIMENSIONS ARE IN METRIC AND TOLERANCES ARE: <0.5mm ±0.05mm 0.5 - 6mm ±0.1mm 6 - 30mm ±0.2mm 30 - 120mm ±0.3mm ANGLES ±1°	MATERIAL	DRAWN S. DUAN	DATE 06-Jul-16	TITLE SMP JACK, PIN CONTACT PCB RECEPTACLE FULL DETENT SCALE: 15.0:1.0 SHEET 2 OF 2	Amphenol RF www.amphenolrf.com
	REFERENCE EAR # AND GEN# ASSYM4_SMP	ENGINEER O. BARTHELMES	DATE 17/9/07		
NOTICE - These drawings, specifications, or other data (1) are, and remain the property of Amphenol corp. (2) must be returned upon request; and (3) are confidential and not to be disclosed to any person other than those to whom they are given by Amphenol Corp. the furnishing of these drawings, specifications, or other data by Amphenol Corp., or to any other person to anyone for any purpose is not to be regarded by implication or otherwise in any manner licensing, granting rights to permitting such holder or any other person to manufacture, use or sell any product, process or design, patented or otherwise, that may in any way be related to or disclosed by said drawings, specifications, or other data.	CONFIGURATION LEVEL: In Work	DATE 12-Jul-16	CAD FILE	ITEM NO. SMP-MSFD-PCT	PART NO. SMP-MSFD-PCT
	FINISH		DWG SIZE B	REV C	