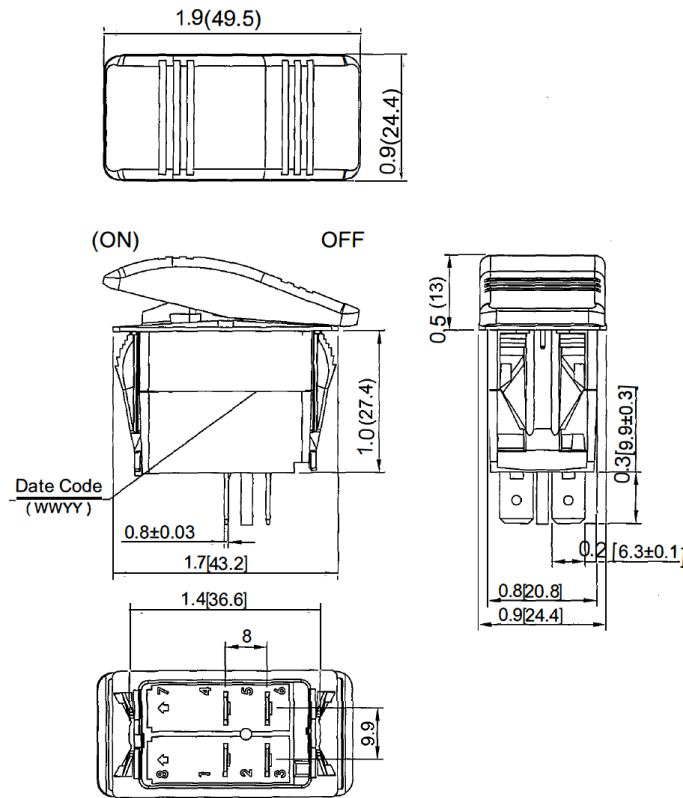
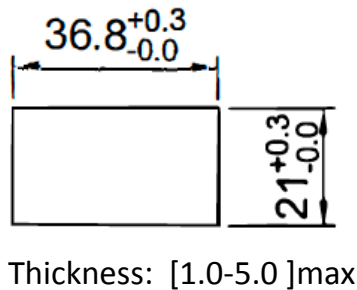


Mechanical Dimensions: Inches [mm]

Tolerances  $\pm 0.012$  [0.3] Unless Otherwise Specified

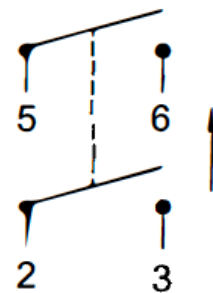


Mounting Hole



Circuit Diagram

4P DPST OFF-(ON)



Electrical Specifications

|                       |                       |
|-----------------------|-----------------------|
| Rating                | 21A 14V DC            |
| Contact Resistance    | 50m ohm Max.          |
| Insulation Resistance | DC 500V 100M ohm Min. |
| Dielectric Strength   | AC 1500V 1 minute     |
| Operation Temperature | -25°C~85°C            |

Material Specifications

|            |                          |
|------------|--------------------------|
| Frame      | Black   Nylon 66 (94V-2) |
| Actuator   | Red   Nylon 66 (94V-2)   |
| Waterproof | IP56                     |
| Terminals  | Silver plated copper     |

| Rev | Date of issue | Revision Notes  | Designed | Approved |
|-----|---------------|-----------------|----------|----------|
| A   | 06-10-2019    | Initial Drawing | RC       | OH       |