

# User's Guide

## TAS6424MS-Q1 EVM



### ABSTRACT

This manual describes the operations of the TAS6424MSQ1EVM. The TAS6424MSQ1EVM is a stand-alone EVM. The PurePath™ Control Console 3 GUI (PPC3) is used to initialize and operate the EVM. The main topics of this document are:

- Hardware implementation and descriptions
- Software implementation and descriptions
- TAS6424MS EVM operations (hardware and software)

Required equipment and accessories:

1. TAS6424MS EVM
2. USB A male to micro B male cable
3. 1-4 resistive loads or speaker loads
4. 2-6 pair of wires stripped both ends
5. 2-mm slotted screwdriver
6. Optical audio source (optional)
7. Optical SPDIF cable (optional)
8. Desktop or laptop PC with Microsoft® Windows® 7 operating system

---

### Table of Contents

<b>1 Trademarks</b> .....	<b>1</b>
<b>2 Hardware Overview</b> .....	<b>2</b>
<b>3 Software Overview</b> .....	<b>4</b>
<b>4 Board Layouts, Bill of Materials, and Schematic</b> .....	<b>20</b>
<b>5 Revision History</b> .....	<b>32</b>

### List of Tables

#### 1 Trademarks

PurePath™ are trademarks of Texas Instruments.

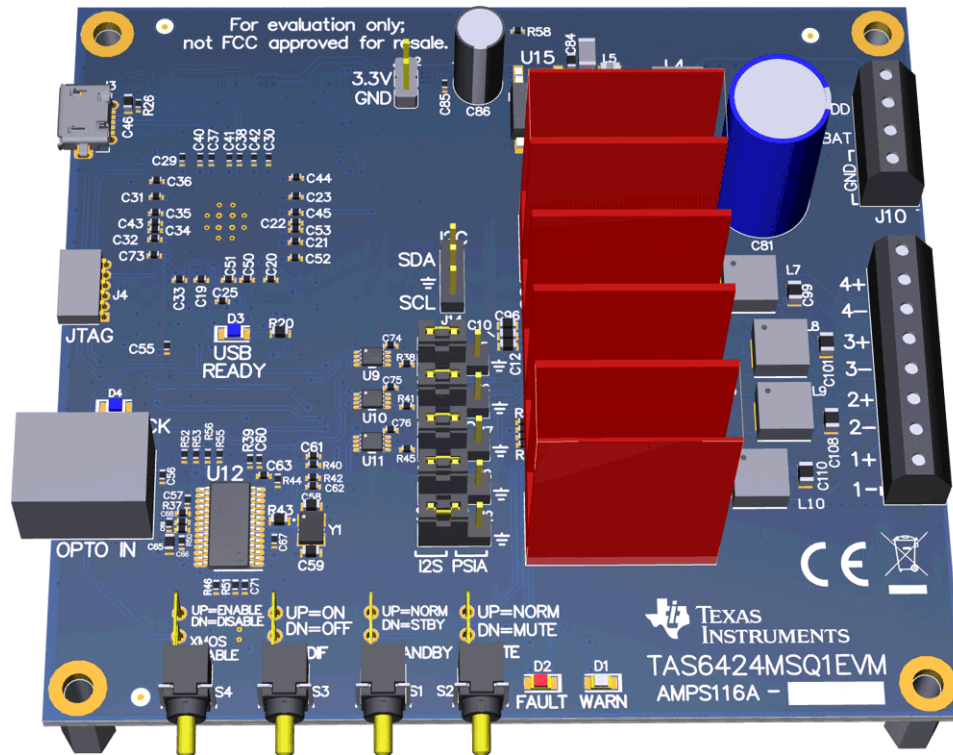
Microsoft® and Windows® are registered trademarks of Microsoft Corporation.

All other trademarks are the property of their respective owners.

## 2 Hardware Overview

### 2.1 TAS6424MS Evaluation Module Description

The TAS6424MS-Q1 EVM is a stand-alone EVM. It has single power supply input, USB control via PurePath Control Console 3 (PPC3) and two digital (I2S) audio input options. See the EVM block diagram in [Figure 2-1](#).



**Figure 2-1. TAS6424MS-Q1 EVM**

The block diagram shows the TAS6424MS EVM signal flow.

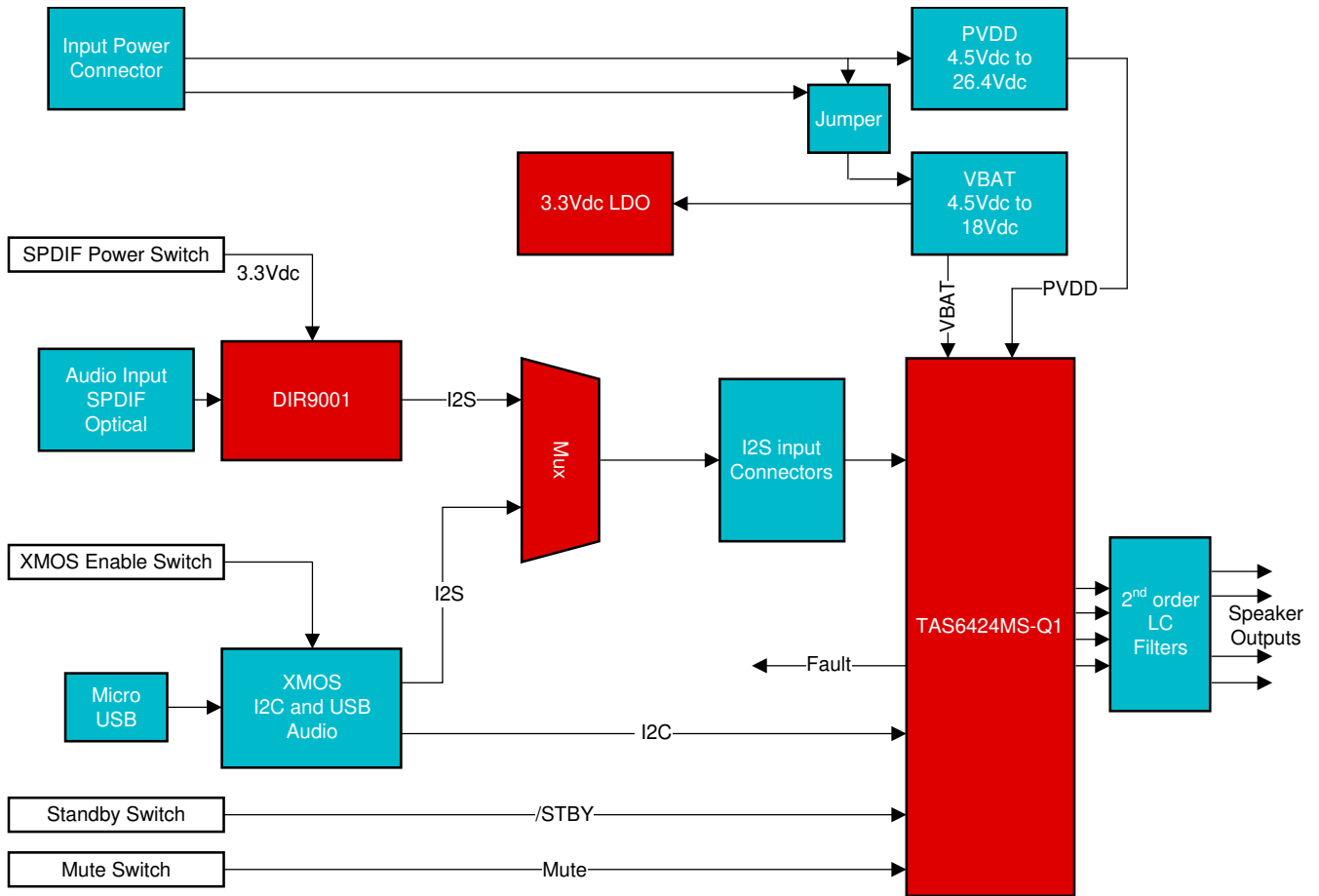


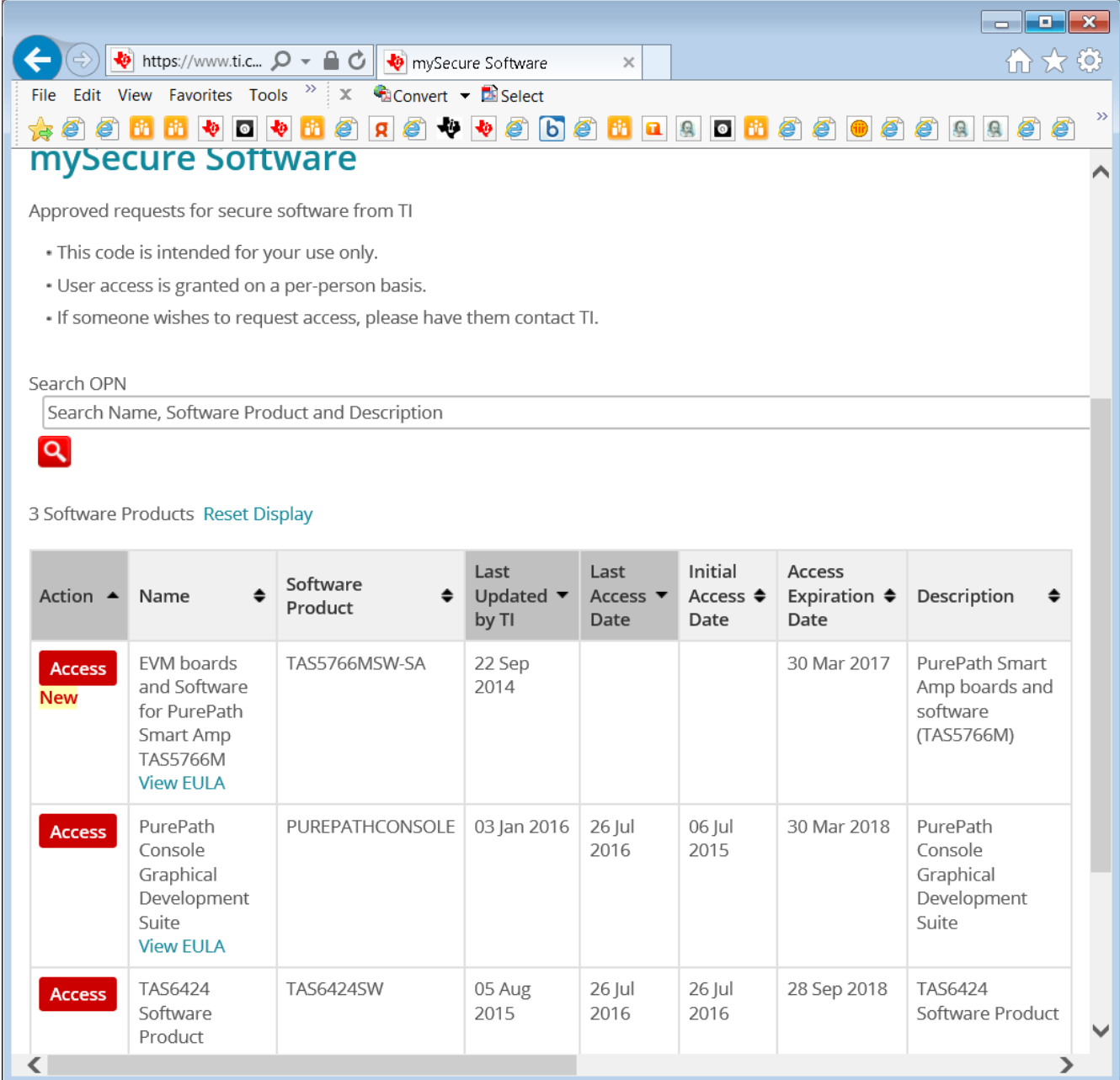
Figure 2-2. EVM Block Diagram

### 3 Software Overview

#### 3.1 PurePath™ Console 3 (PPC3) Access and Description

The PPC3 is a server-based tool. Access can be requested on <http://www.ti.com/tool/PUREPATHCONSOLE>.

Once approval is given, go to [www.ti.com/mysecuresoftware](http://www.ti.com/mysecuresoftware) to download the software. After login, the user will see this web page with a similar list of software products available for download.



The screenshot shows a web browser window with the URL <https://www.ti.com/mySecure Software>. The page title is "mySecure Software". Below the title, there is a section for "Approved requests for secure software from TI" with a bulleted list:

- This code is intended for your use only.
- User access is granted on a per-person basis.
- If someone wishes to request access, please have them contact TI.

Below this is a search bar labeled "Search OPN" with the placeholder text "Search Name, Software Product and Description". A search icon is visible to the left of the search bar.

Underneath the search bar, it says "3 Software Products" and "Reset Display". A table lists the software products:

Action	Name	Software Product	Last Updated by TI	Last Access Date	Initial Access Date	Access Expiration Date	Description
Access New	EVM boards and Software for PurePath Smart Amp TAS5766M <a href="#">View EULA</a>	TAS5766MSW-SA	22 Sep 2014			30 Mar 2017	PurePath Smart Amp boards and software (TAS5766M)
Access	PurePath Console Graphical Development Suite <a href="#">View EULA</a>	PUREPATHCONSOLE	03 Jan 2016	26 Jul 2016	06 Jul 2015	30 Mar 2018	PurePath Console Graphical Development Suite
Access	TAS6424 Software Product	TAS6424SW	05 Aug 2015	26 Jul 2016	26 Jul 2016	28 Sep 2018	TAS6424 Software Product

**Figure 3-1. PPC3 Download Window**

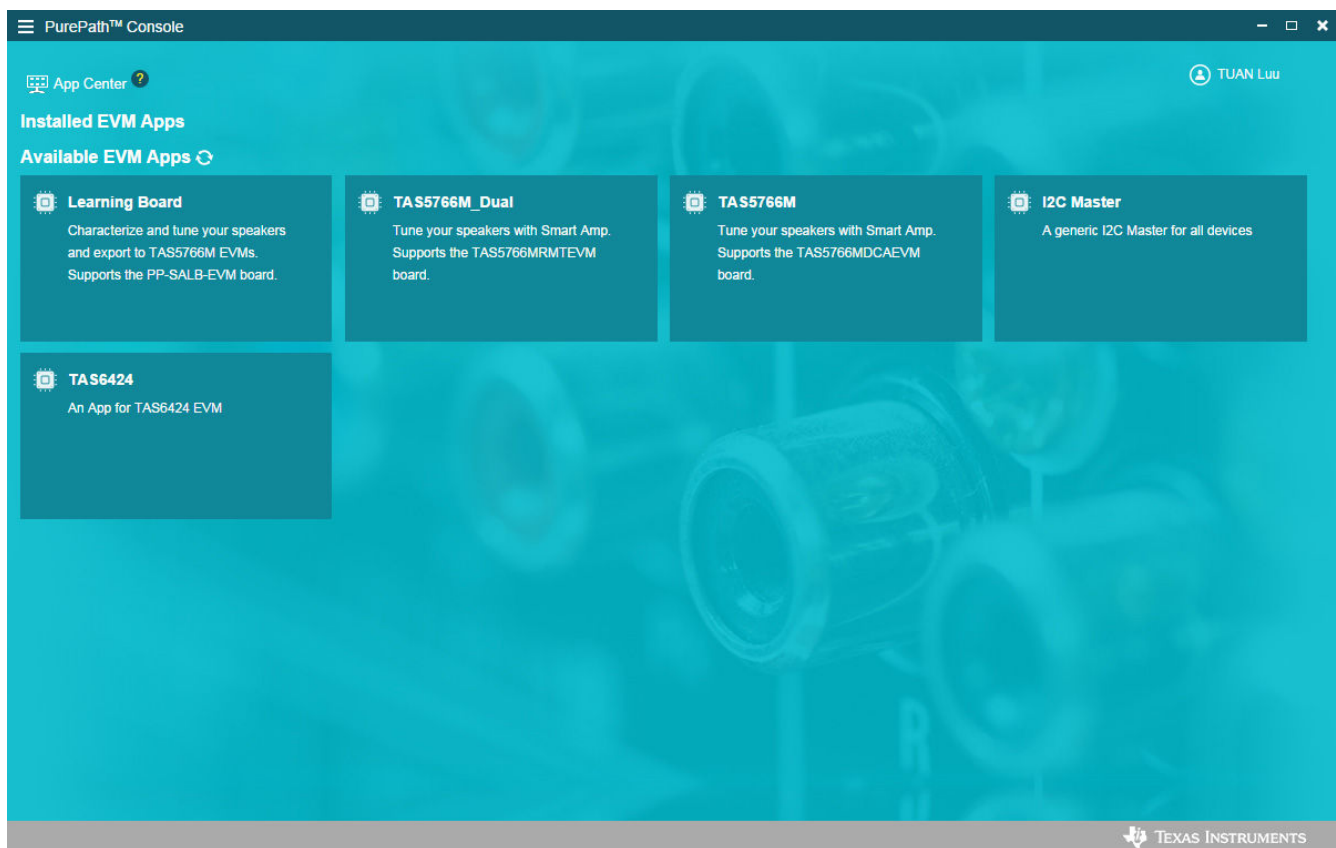
Run the installation program. Also download the PPC3 User Manual ([SLOU408](#)) for further instructions. The following window is displayed when first running PPC3.



**Figure 3-2. PPC3 Window**

When the window in [Figure 3-2](#) is displayed, click on “sign in” to see TAS6424 EVM application. All of the apps shown below may not be displayed for the user.

Click on TAS6424 App box to download TAS6424 application. Installation window will pop up, then click “Install”. TAS6424 EVM box will appear in “Installed EVM Apps” section, see [Figure 3-3](#). Click on TAS6424 box to launch TAS6424 App.



**Figure 3-3. Available Apps Window**

### 3.2 PurePath™ Console 3 – TAS6424 EVM Home Window

When the TAS6424 EVM PPC3 is launched, the Home Window is shown. If the EVM is powered on and the USB is connected to the PC, the Home Window will display “Connect” box in the bottom right hand corner. If the EVM is not powered on or the USB is not connected, only “TAS6424 EVM – Offline” is displayed.

Figure 3-4 shows the downloading progress of TAS6424MS applications.

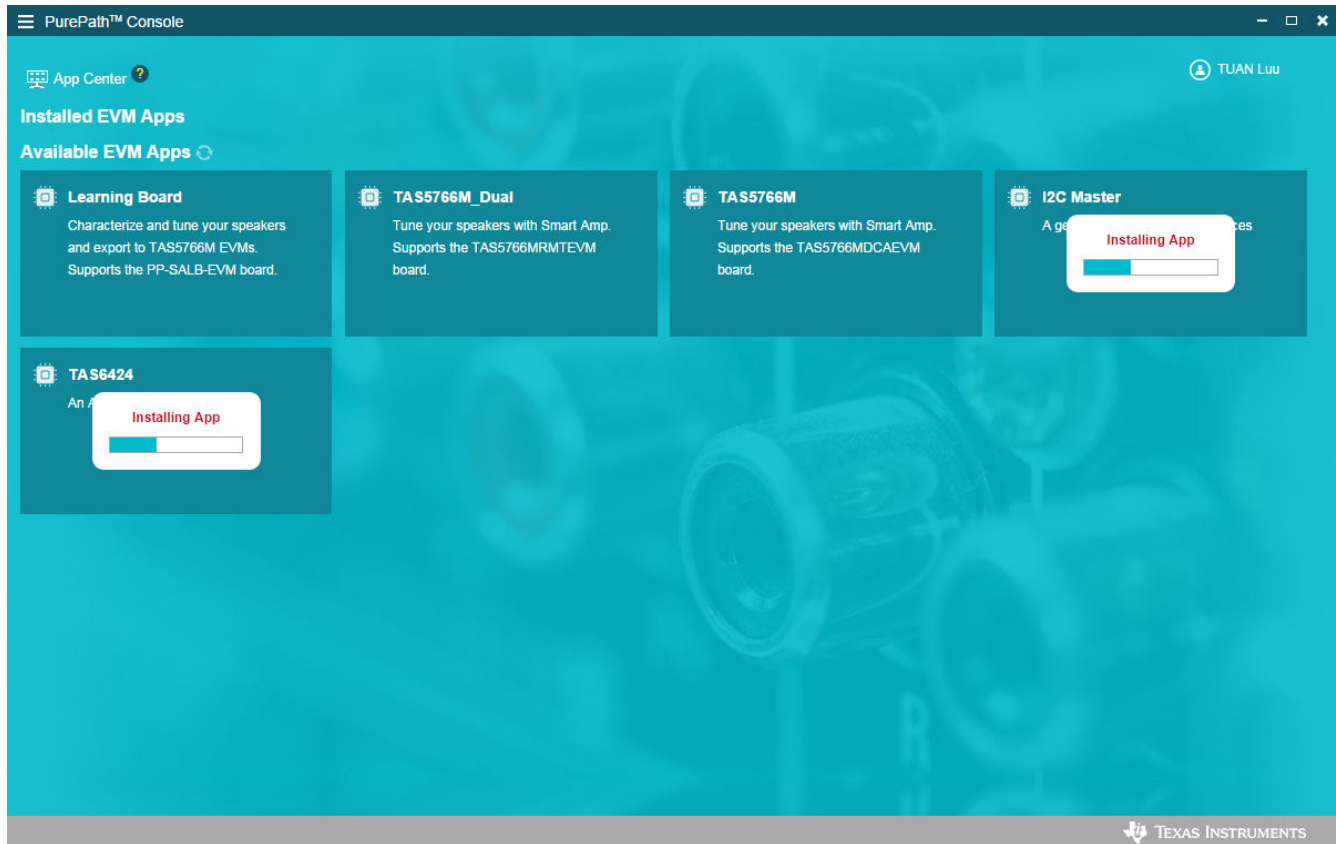


Figure 3-4. PPC3 Window

There are three windows available with the TAS6424 EVM PPC3: Home Window, Register Map Window and Device Monitor and Control Window.

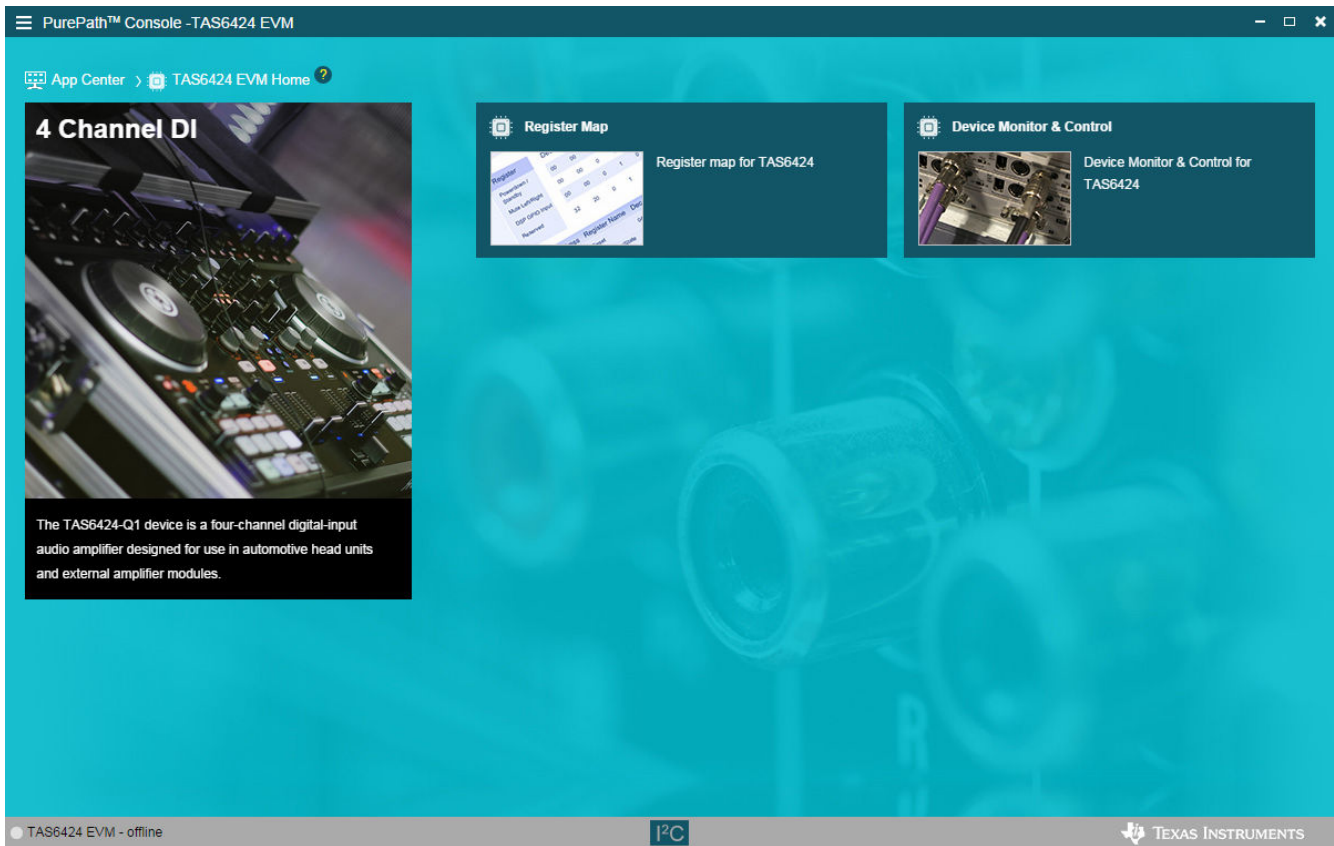


Figure 3-5. TAS6424 EVM Home Window



### 3.3 PurePath™ Console 3 – TAS6424 EVM Register Map Window

When click on Register Map Box on the Home Window, the Register Map Window is displayed. The Register Map indicates the current setting of all the registers in TAS6424MS.

The screenshot shows the 'Register Map' window in the PurePath™ Console. The window title is 'PurePath™ Console - TAS6424 EVM'. The breadcrumb navigation is 'App Center > TAS6424 EVM Home > Register Map'. There is a 'Read All Registers' button in the top right of the main content area.

Register Name ↓↑	Q	Address ↓↑	Q	Value	Bits							
					7	6	5	4	3	2	1	0
▼ Block												
Mode Control		0x00		0x00	0	0	0	0	0	0	0	0
Misc Control 1		0x01		0x32	0	0	1	1	0	0	1	0
Misc Control 2		0x02		0x62	0	1	1	0	0	0	1	0
SAP Control		0x03		0x04	0	0	0	0	0	1	0	0
State Control		0x04		0x55	0	1	0	1	0	1	0	1
Ch1 Volume		0x05		0xcf	1	1	0	0	1	1	1	1
Ch2 Volume		0x06		0xcf	1	1	0	0	1	1	1	1
Ch3 Volume		0x07		0xcf	1	1	0	0	1	1	1	1
Ch4 Volume		0x08		0xcf	1	1	0	0	1	1	1	1
DC LDG Control 1		0x09		0x00	0	0	0	0	0	0	0	0
DC LDG Control 2		0x0A		0x11	0	0	0	1	0	0	0	1
DC LDG Control 3		0x0B		0x11	0	0	0	1	0	0	0	1
DC LDG Report 12		0x0C		0x00	0	0	0	0	0	0	0	0
DC LDG Report 34		0x0D		0x00	0	0	0	0	0	0	0	0
DC LDG Report LO		0x0E		0x00	0	0	0	0	0	0	0	0

On the right side of the window, there is a 'Fields' section with a 'Description' header, which is currently empty.

The bottom status bar shows 'TAS6424 EVM - offline', a temperature indicator '12°C', and the Texas Instruments logo.

Figure 3-6. TAS6424 EVM Register Map Window

### 3.4 PurePath™ Console 3 – TAS6424 EVM Monitor and Control Window

When click on Device Monitor and Control Box on the Home Window, the Device Monitor and Control Window is displayed.

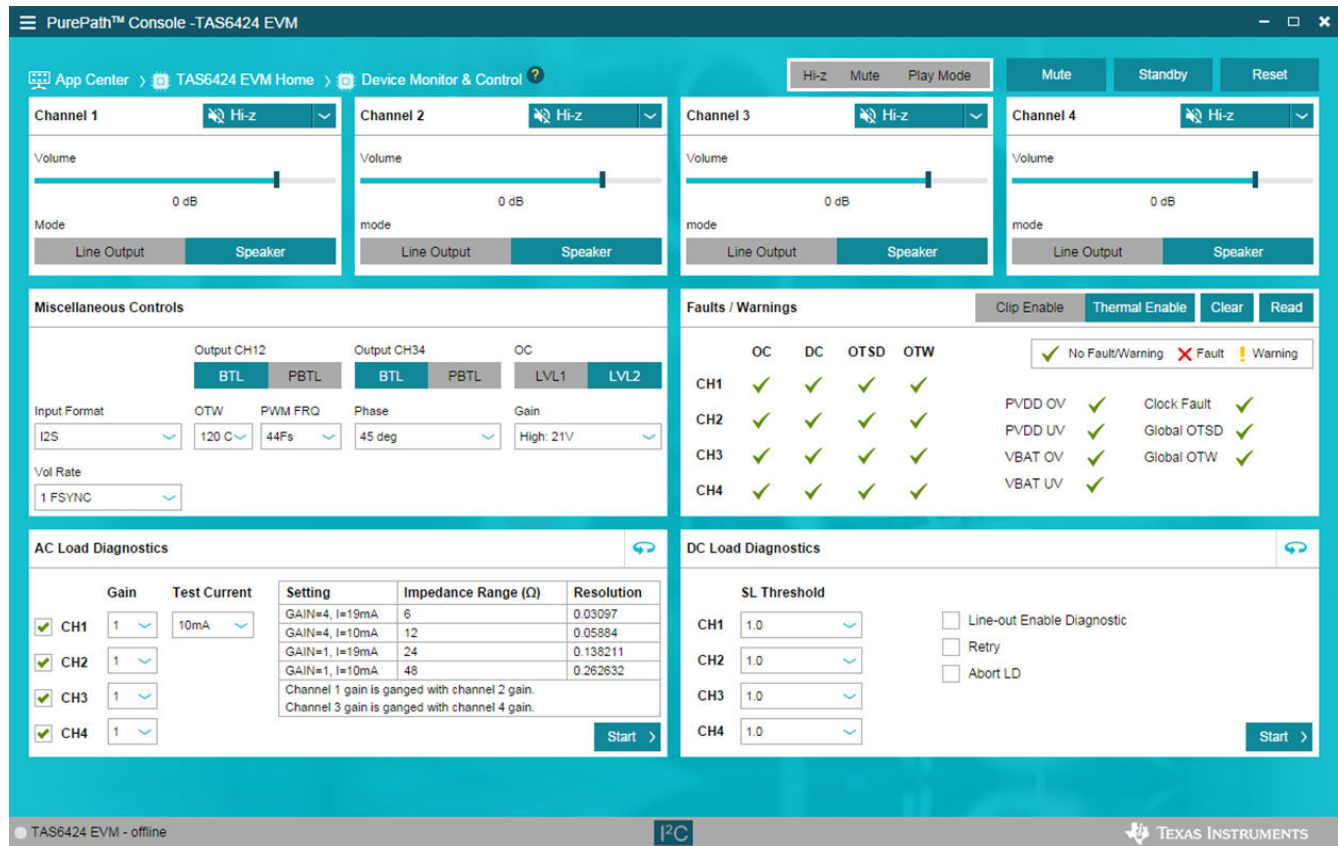


Figure 3-7. TAS6424 EVM Device Monitor and Control Window

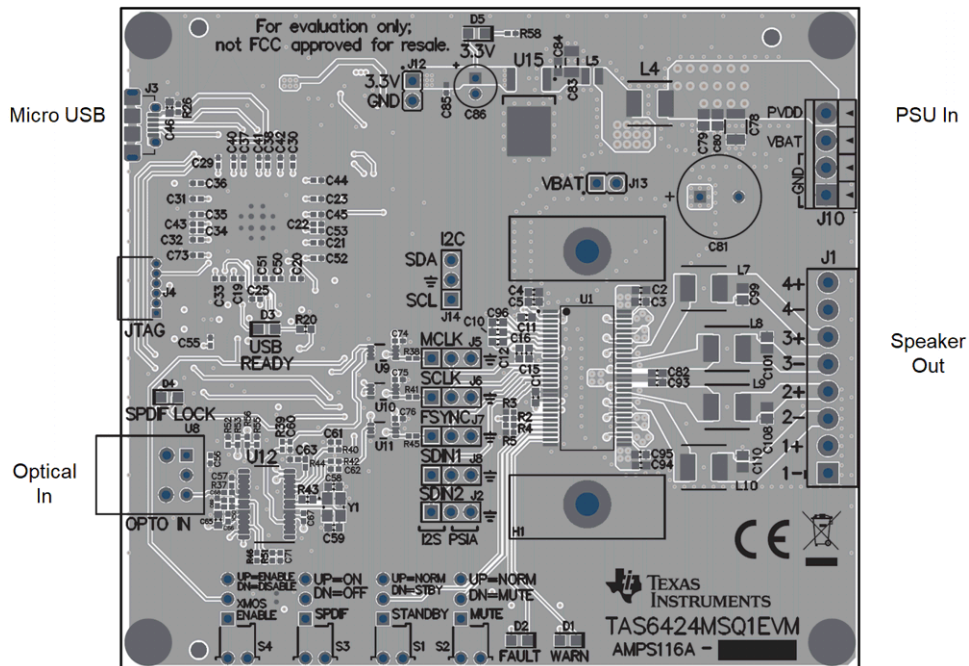
### 3.5 TAS6424MS EVM Start Up

This section describes the TAS6424MS start-up procedure. Have the equipment and accessories listed on the first page of this document available.

#### 3.5.1 TAS6424MS EVM Setup

Hardware and software connections:

- Desk top or laptop PC running Windows 7. Open PPC3 GUI.
- Connect 14.4 VDC PSU to TAS6424MS EVM
- Connect speakers or resistive loads to TAS6424MS EVM
- Connect USB micro cable from PC to the EVM
- Set the switches (SPDIF, STANDBY, MUTE) to up positions
- Turn on the PSU
- Audio source: This can be a DVD player with optical SPDIF cable or Windows Media Player from PC
- At this point, 3.3 V LED, USB-LOCK LED and SPDIF-LOCK LED (if optical SPDIF is used) are on.
- If the SPDIF LED is not on, the default I2S input is the USB audio source.
- On the PPC3 window, launch TAS6424 EVM application
- The audio can be streamed now to the speakers. Go to the GUI and click on “Device Monitor & Control” box. Click on play button located on the top right of the window.
- The following sections describe in detail the register settings of TAS6424MS.



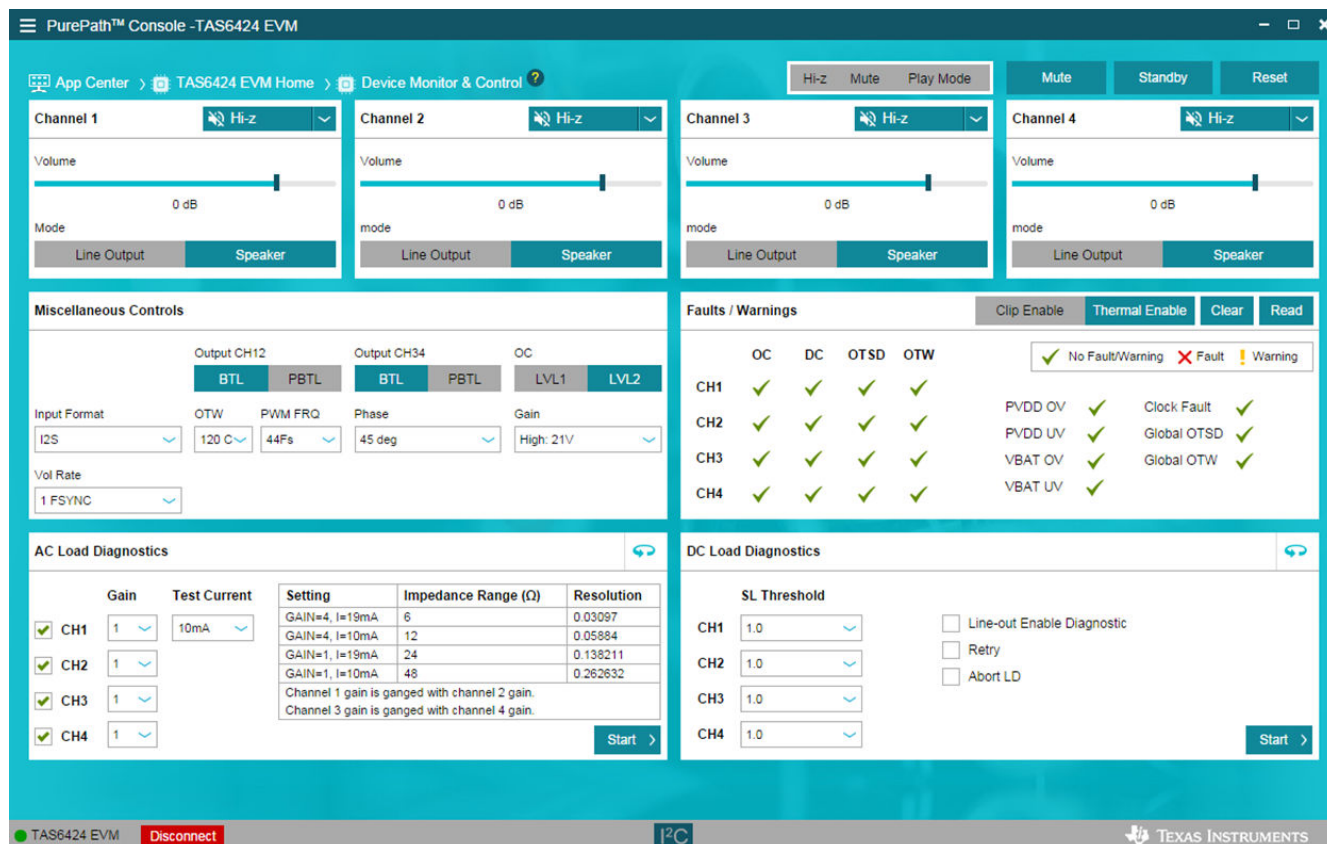
**Figure 3-8. TAS6424MS EVM Connection**

### 3.5.2 TAS6424MS Settings on Device Monitor and Control Window

The TAS6424 Register Map window is for reference. Most of the register settings are done on the Device Monitor and Control window

Click on “CONNECT” button on the bottom left corner of the TAS6424 EVM application window, see [Figure 3-9](#). The LED next to the TAS6424 EVM changes from gray to green and the “CONNECT” button changes to “DISCONNECT” button.

Click on the TAS6424 Device Monitor and Control box. The following window is displayed.



**Figure 3-9. Device Monitor and Control Window**

This window has 6 major sections: Global Control Section, Channel Control Section, Miscellaneous Control Section, Faults and Warnings Section, AC Load Diagnostics Section and DC Load Diagnostics Section.

#### 3.5.2.1 Global Control Section

The Hi-Z, Mute and Unmute buttons with the gray background controls all 4 channels at the same time. When Hi-Z is selected, all 4 channels are put in Hi-Z. The display for each channel in the channel control section will reflect these buttons selections.

The Mute Pin button is the GPIO pin controlling the mute function of the device.

The Standby button is the GPIO pin controlling the standby function of the device.

The Reset button is software reset. This will put the device back in default settings.



**Figure 3-10. Global Control Section**

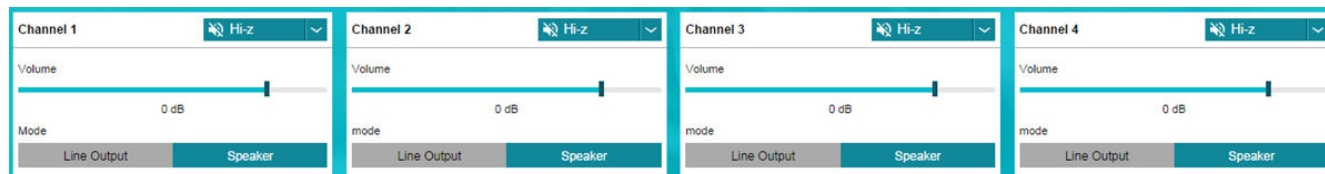
### 3.5.2.2 Channel Control Section

Each channel has the same setting selections: Hi-Z, Mute, Play, Volume, Line-out mode and Speaker mode.

The drop down menu allows user to select either Hi-Z, Mute or Play state of each channel.

The volume slide controls the digital gain of each channel.

The default setting for each channel is speaker mode. If line-out is used, select Line Output button.



**Figure 3-11. Channel Control Section**

### 3.5.2.3 Miscellaneous Control Section

There are miscellaneous settings that are available on the GUI for easy access.

OSR is oversampling bit. For lower idle noise 64X OSR is set as default. For wider bandwidth, 128X OSR can be used. 64X OSR is recommended.

TAS6424MS supports parallel Bridge-Tied Load. Channels 1 and 2 can be one PBTL channel and channels 3 and 4 can be the other. Before setting a set of channels to PBTL mode, connect the (+) terminals as PBTL channel (+) and the (-) terminals as PBTL channel (-). Then connect the speaker (+) to the PBTL channel (+) and connect the speaker (-) to the PBTL channel (-).

The over-current has two levels. The lower level is 1. The default is level 2. When running at lower output current, OC level can be set to level1.

I2S and TDM are automatically detected. Use the pull down menu from "Input Format" box to manually select the audio format. If sampling frequency is greater than 48 kHz, select 96 kHz from the "Input FS" pull down.

Over-temperature warning can be programmable, use the pull down menu to choose the OTW temperature. The default setting is 120°C.

The output switching frequency (FSW) or Pulse Width Modulation frequency (PWM) is set at 2.1 MHz. The pull-down menu on the PWM FRQ box is used to choose a different FSW. LC value should be adjusted when FSW is changed.

The offset phase for each channel is set at 45 degrees. This helps lower the ripple current on the power supply as not all the channels switch at the same time. To choose a different phase offset, use the pull-down menu on the "Phase" box.

There are four gain settings in TAS6424MS: low, normal, high and maximum. The default setting is high. However, the recommended setting is normal for lower noise performance for driving speakers at 14.4 VDC. The gain setting is selectable via the drop down menu in the "Gain" box.

The volume slew rate is measured with sampling frequency. The default setting is 1 period of sampling frequency (FSYNC or FS). This rate is selectable from 1 to 8 sampling periods with the drop down menu under "Vol Rate" box.

**Miscellaneous Controls**

---

Output CH12

BTL

PBTL

Output CH34

BTL

PBTL

OC

LVL1

LVL2

Input Format:

OTW:     PWM FRQ:     Phase:     Gain:

Vol Rate:

**Figure 3-12. Miscellaneous Control Section**

### 3.5.2.4 Faults and Warnings Section

The top right buttons on this box serve as controlling and monitoring faults.

Clip enable route the clip detection bit to the warning pin. This is displayed as yellow LED on the EVM.

Thermal enable route the over-temperature warning bit to the warning pin. This is display as the same yellow LED on the EVM.

Clear button clears all the faults and warnings.

Read button manually read the faults and warnings.

Faults / Warnings					Clip Enable	Thermal Enable	Clear	Read
	OC	DC	OTSD	OTW	<input checked="" type="checkbox"/> No Fault/Warning <input checked="" type="checkbox"/> Fault <input checked="" type="checkbox"/> Warning			
CH1	✓	✓	✓	✓	PVDD OV	✓	Clock Fault	✓
CH2	✓	✓	✓	✓	PVDD UV	✓	Global OTSD	✓
CH3	✓	✓	✓	✓	VBAT OV	✓	Global OTW	✓
CH4	✓	✓	✓	✓	VBAT UV	✓		

**Figure 3-13. Faults and Warnings Section**

### 3.5.2.5 AC Load Diagnostics Section

AC load diagnostics report speaker impedance and phase. The diagnostics can be performed with one or all four channels.

Select the correct output impedance and click start. Follow the pop up instructions to complete the load diagnostics run.

**Note**

Make sure to set the digital input to 0 dBFS (100% full-scale). If the sine wave is provided from the USB audio, turn the audio media volume and PC sound card volume to maximum.

Click on the “flip” icon located on the top right of the AC load diagnostics box to see the results.

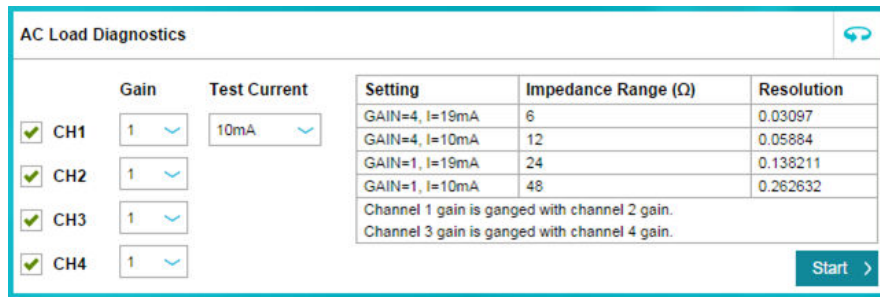


Figure 3-14. AC Load Diagnostics Section

### 3.5.2.6 DC Load Diagnostics Section

The DC load diagnostics report if a channel is short to power, short to ground, short to load or open.

Select the impedance of the load from 0.5 to 5  $\Omega$ . Click start and then click the “flip” on the top right of the box to view results.

If a channel is selected as a line-out, click on “LO ENA LD” to enable line-out load diagnostics.

“Retry” box is used when DC load diagnostics are run more than one time.

DC load diagnostics can be aborted by click on the “Abort LD” box.

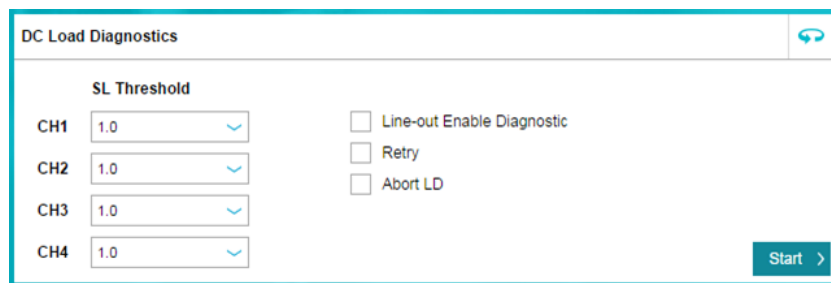
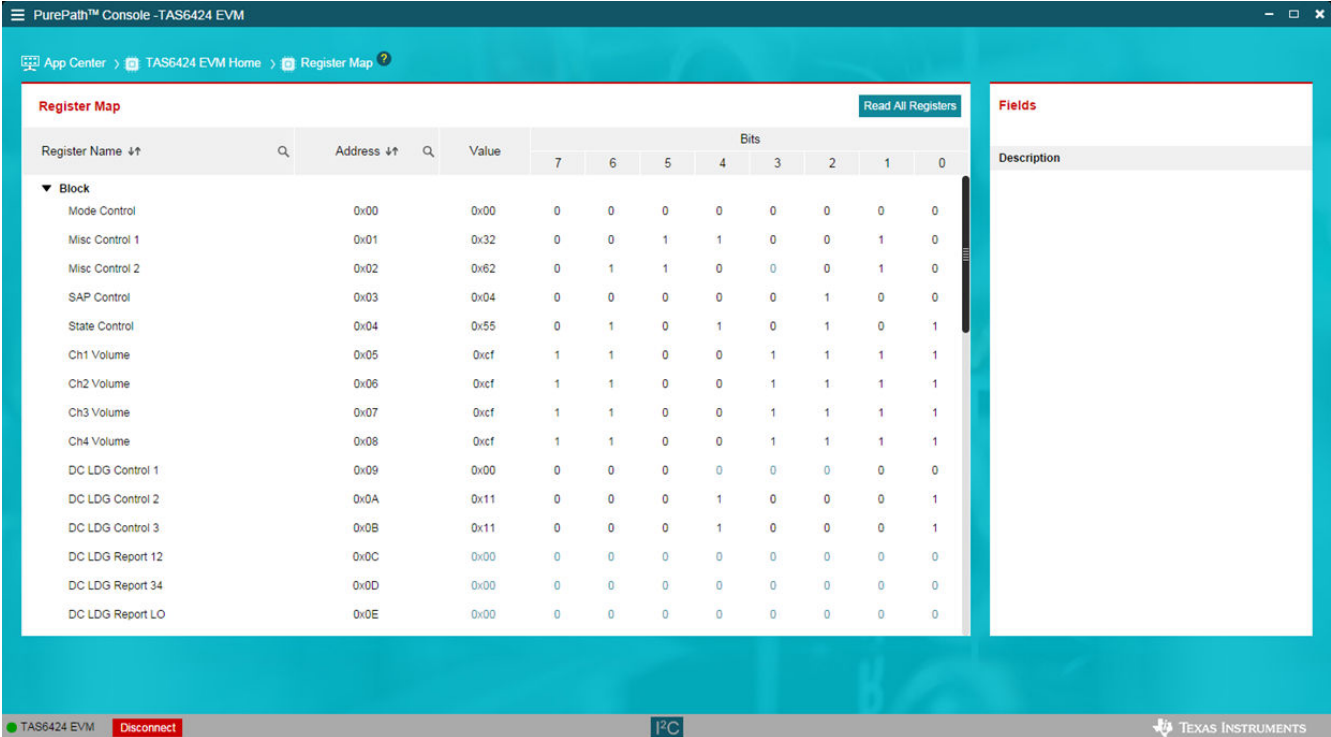


Figure 3-15. DC Load Diagnostics Section

### 3.5.3 TAS6424MS Settings on Register Map Window

The register map can be sorted either alphabetically or numerically (register number).

**Figure 3-16. Register Map Window**



**Register Map** Read All Registers

Register Name ↑	Address ↑	Value	Bits								
			7	6	5	4	3	2	1	0	
▼ Block											
Mode Control	0x00	0x00	0	0	0	0	0	0	0	0	0
Misc Control 1	0x01	0x32	0	0	1	1	0	0	1	0	
Misc Control 2	0x02	0x62	0	1	1	0	0	0	1	0	
SAP Control	0x03	0x04	0	0	0	0	0	1	0	0	
State Control	0x04	0x55	0	1	0	1	0	1	0	1	
Ch1 Volume	0x05	0xcf	1	1	0	0	1	1	1	1	
Ch2 Volume	0x06	0xcf	1	1	0	0	1	1	1	1	
Ch3 Volume	0x07	0xcf	1	1	0	0	1	1	1	1	
Ch4 Volume	0x08	0xcf	1	1	0	0	1	1	1	1	
DC LDG Control 1	0x09	0x00	0	0	0	0	0	0	0	0	
DC LDG Control 2	0x0A	0x11	0	0	0	1	0	0	0	1	
DC LDG Control 3	0x0B	0x11	0	0	0	1	0	0	0	1	
DC LDG Report 12	0x0C	0x00	0	0	0	0	0	0	0	0	
DC LDG Report 34	0x0D	0x00	0	0	0	0	0	0	0	0	
DC LDG Report LO	0x0E	0x00	0	0	0	0	0	0	0	0	

**Fields**

Description

TAS6424 EVM Disconnect PC TEXAS INSTRUMENTS



When a register is selected, the hex value along with the individual bit value is displayed. The name and description for each bit are shown to the right in the "Fields" box.

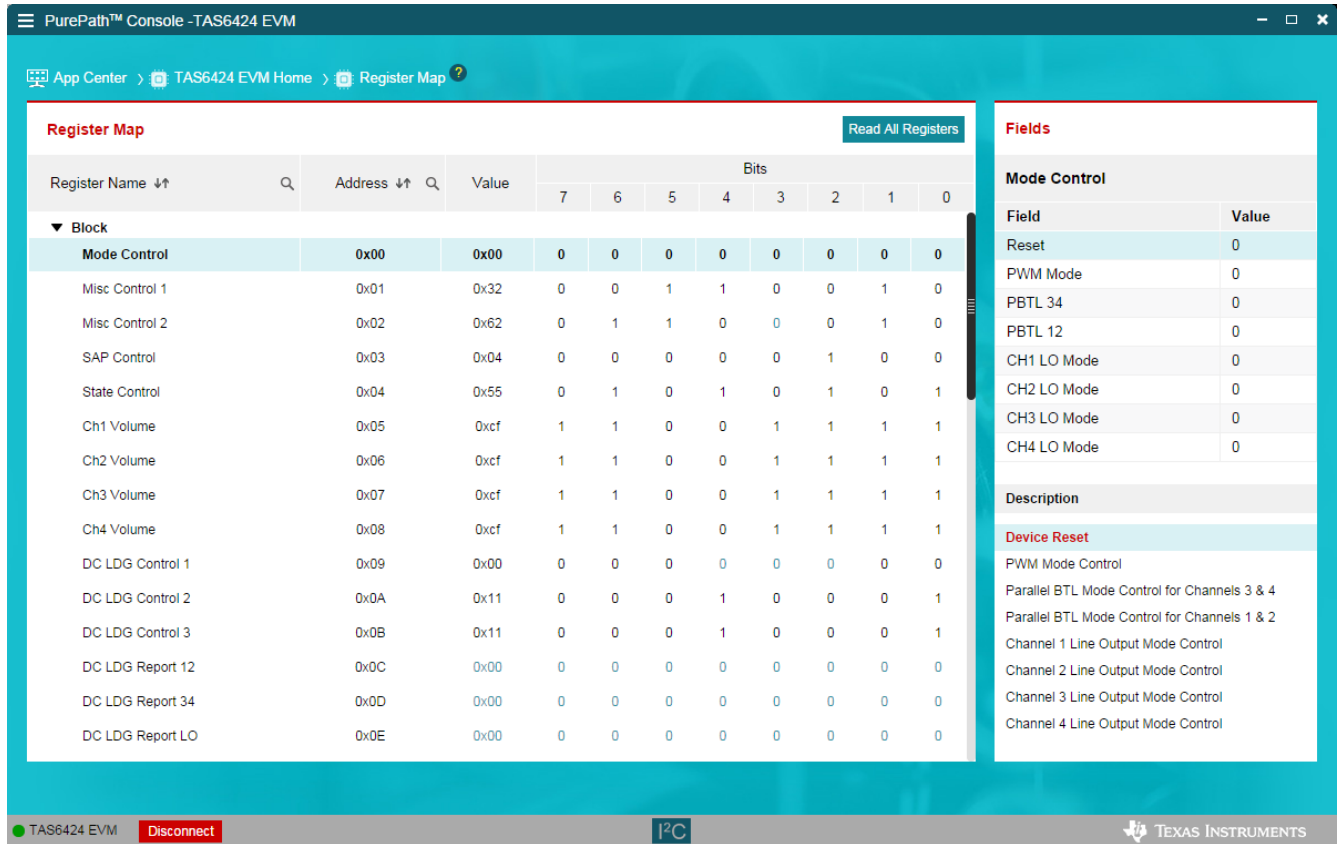


Figure 3-17. Register Map Window - Expanding

Double click on any bit, the bit will change state. This state is executed at the end of the click.

### 3.5.4 I2C Window

The PPC3 has an I2C monitor and also configuration program options.

When this window is first open, the round button is green. To record I2C commands, click on this button and it will turn red. The recording can be saved for later used by clicking the save icon.

The I2C commands can also be copied to clip board by clicking the icon next to trash bin icon.

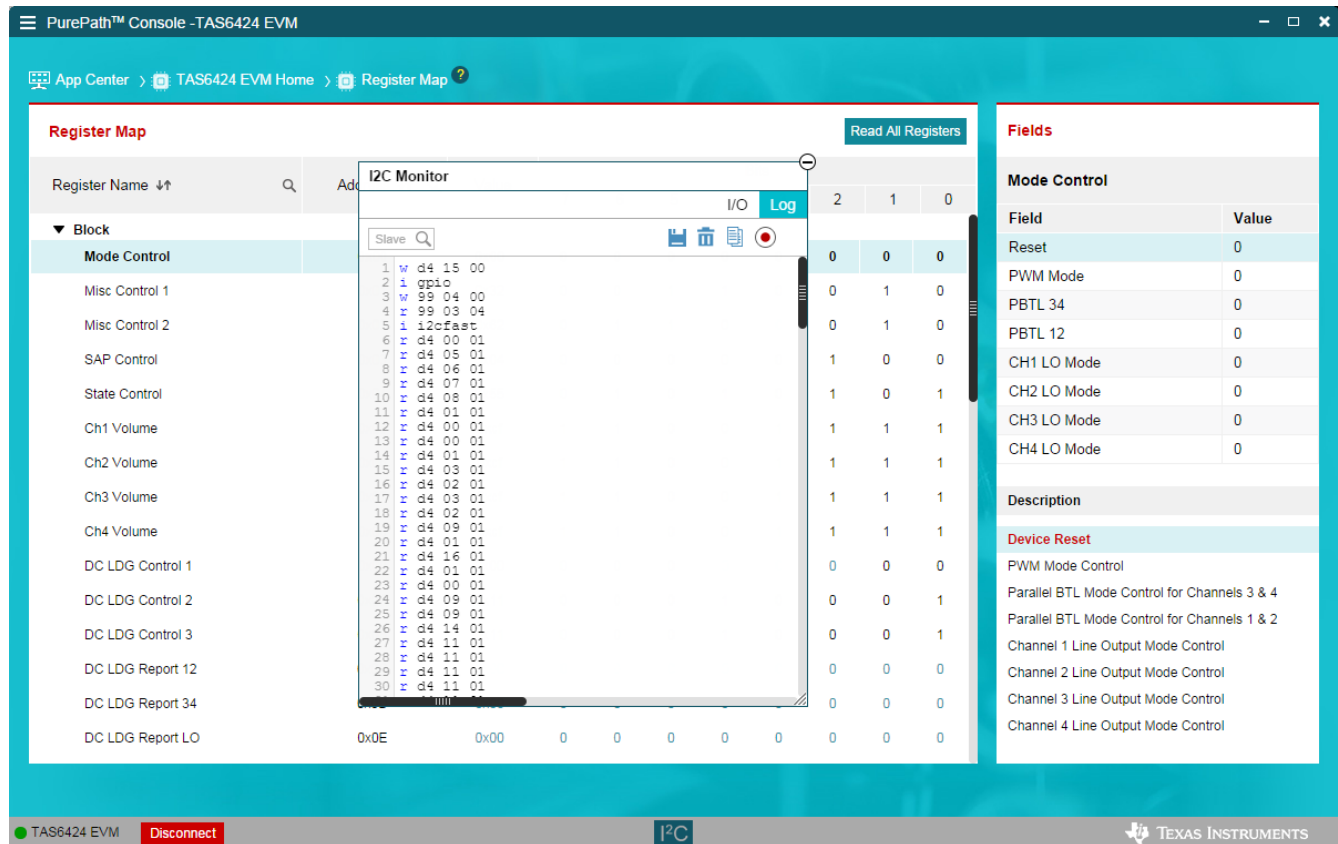


Figure 3-18. I2C Window – I2C Logging

A set of I2C commands can be loaded and executed from this window. On the top right corner, click on “I/O” button to display the above window. Write I2C commands here or open an existing \*.cfg file then click “Execute” button on the bottom left corner. The I2C commands are sent to the device when the “Execute” button is pressed.

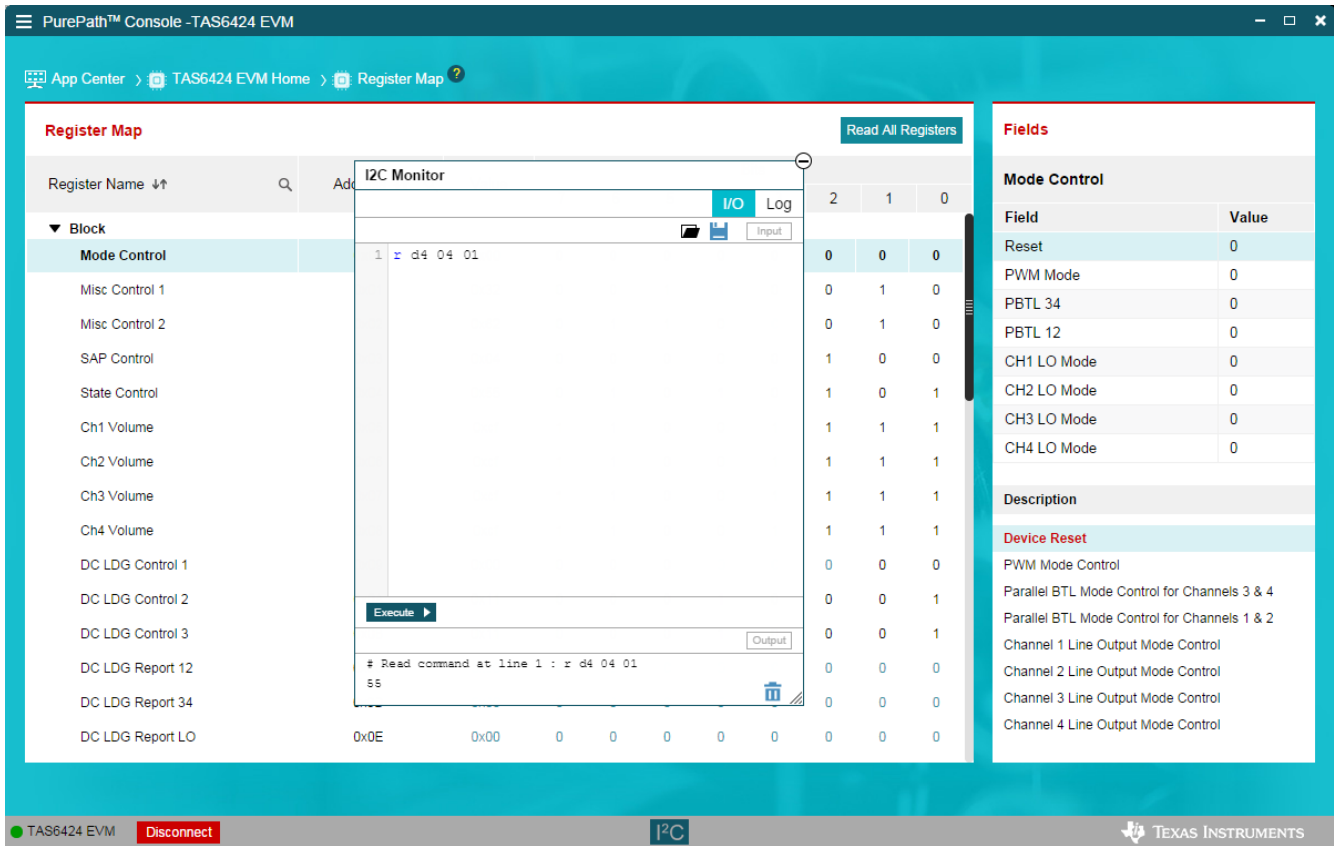


Figure 3-19. I2C Window – Sending I2C Commands

## 4 Board Layouts, Bill of Materials, and Schematic

### 4.1 TAS6424MS EVM Layouts

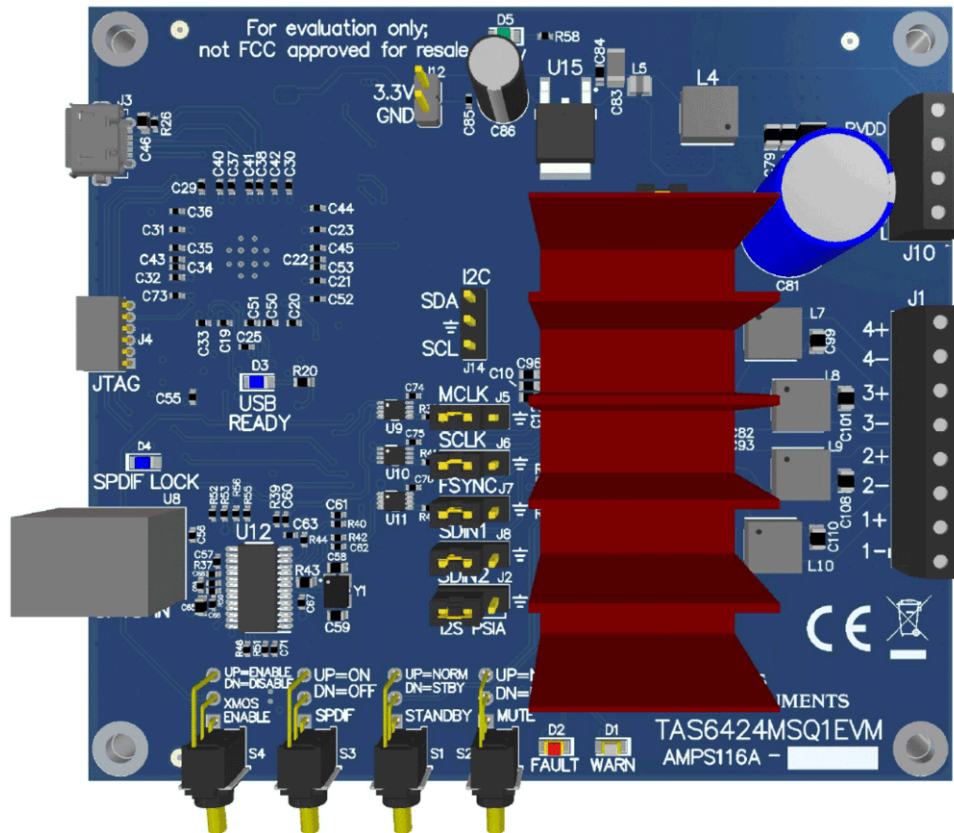
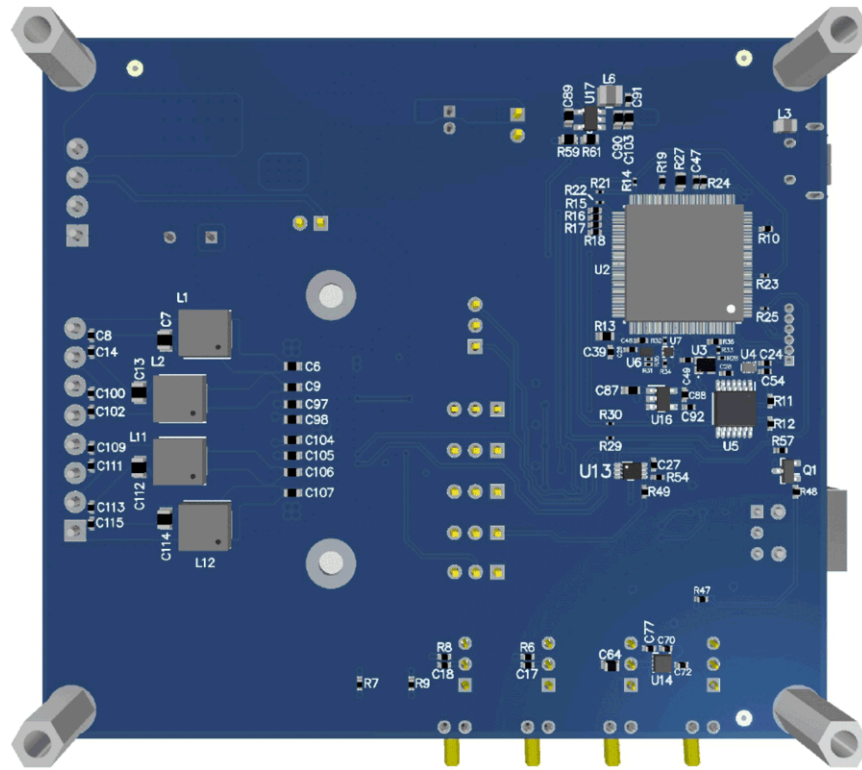


Figure 4-1. TAS6424MS EVM Top



**Figure 4-2. TAS6424MS EVM Bottom**



# SPDIF

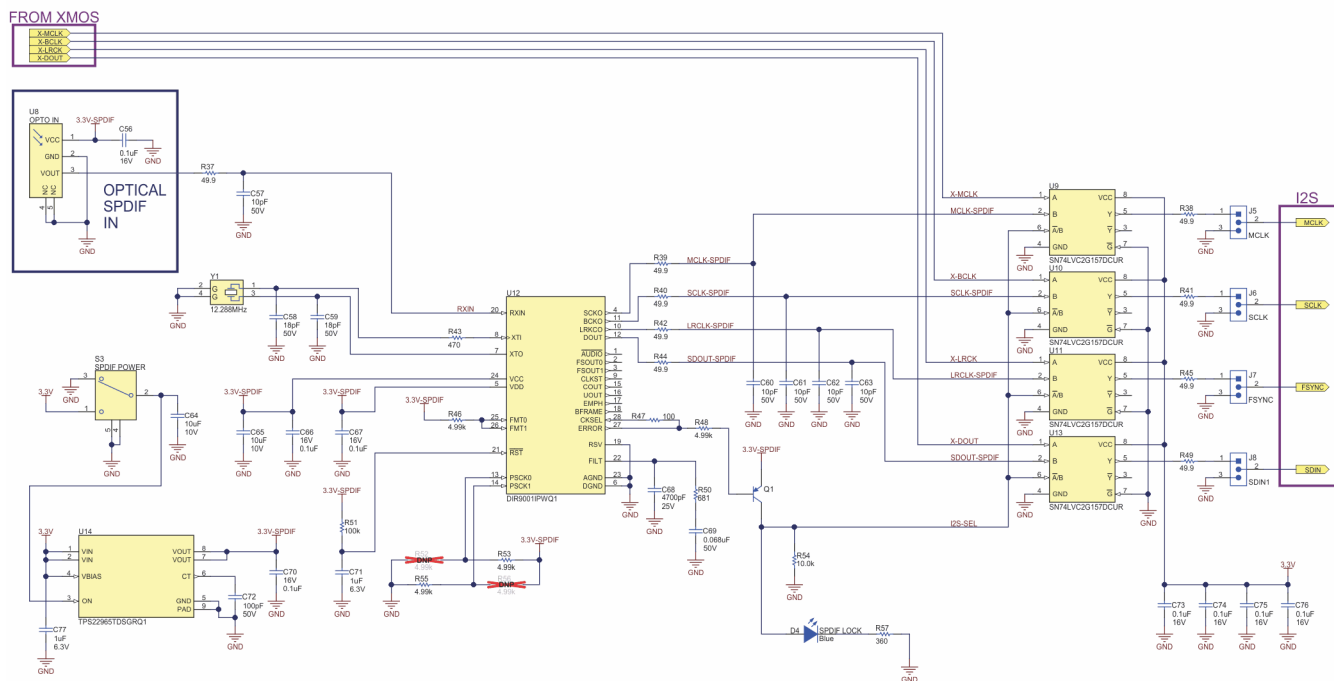


Figure 4-4. Schematic (Page 2)

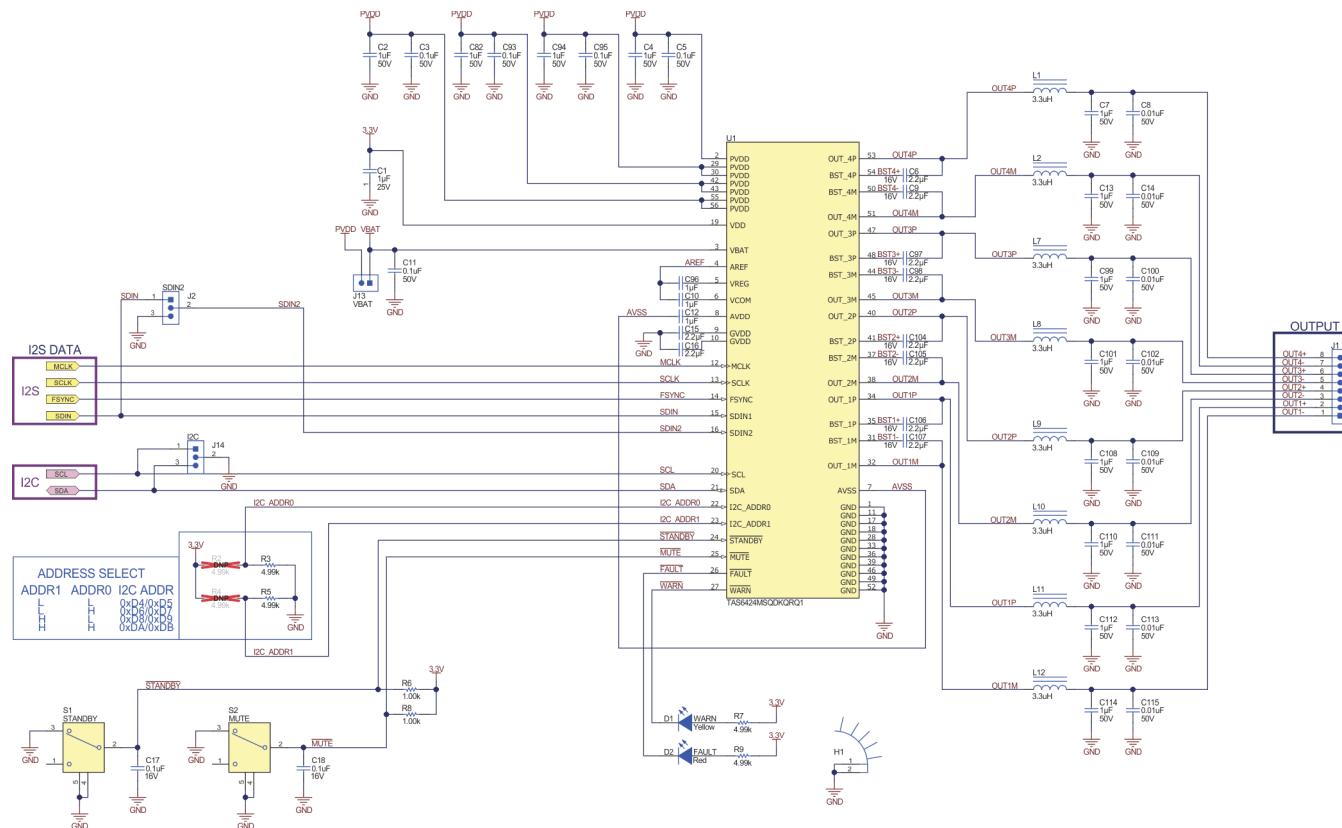


Figure 4-5. Schematic (Page 3)



# Power Supplies

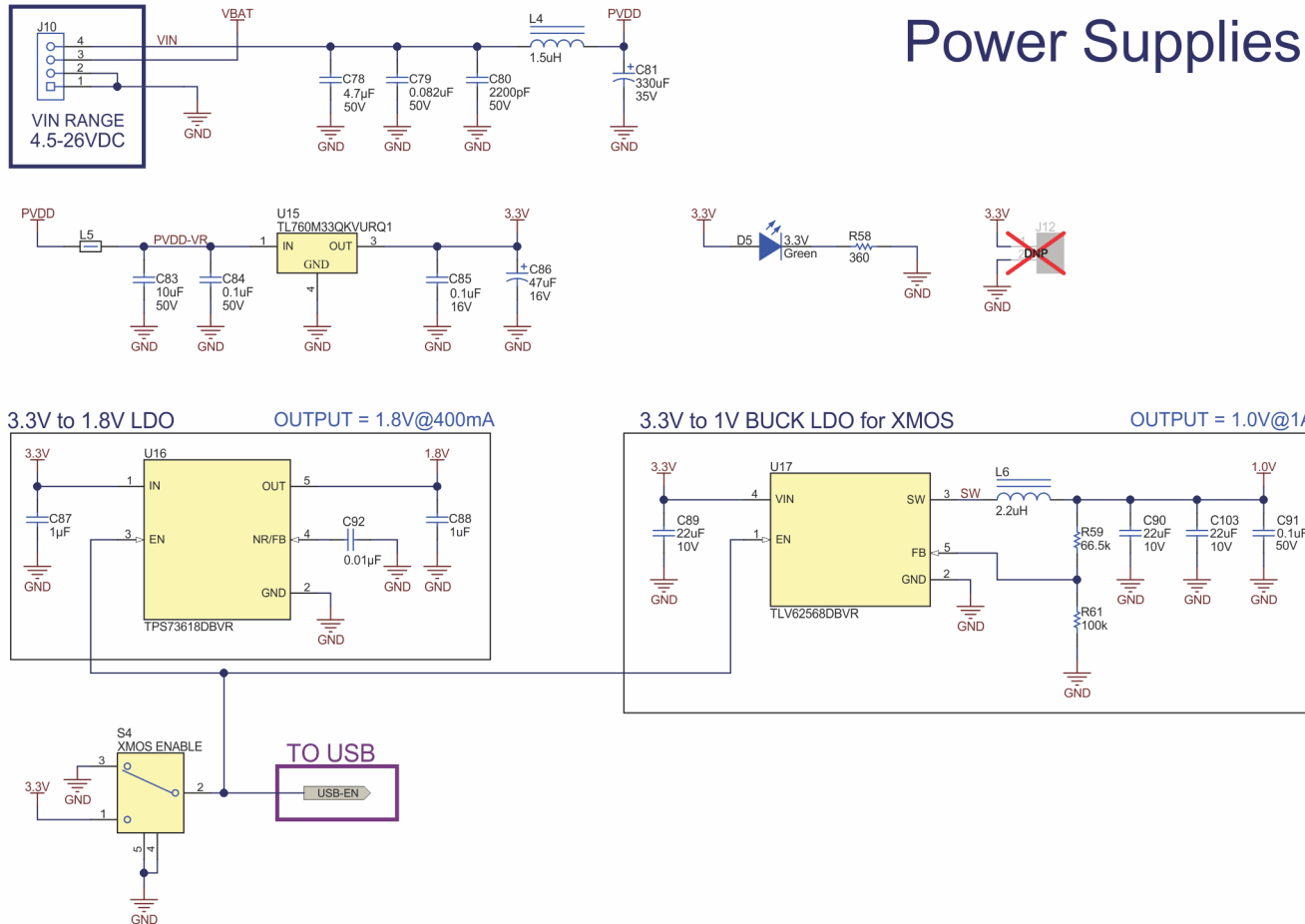


Figure 4-6. Schematic (Page 4)

### 4.3 Bill of Materials

#### TAS6424MSQ1EVM Bill of Materials.

Designator	Quantity	Value	Description	Package Reference	PartNumber	Manufacturer	Alternate PartNumber	Alternate Manufacturer
PCB1	1		Printed Circuit Board		AMPS116	Any		
C1, C10, C12, C96	4	1uF	CAP, CERM, 1 uF, 25 V, +/- 10%, X7R, 0603	0603	C0603C105K3RACTU	Kemet		
C2, C4, C82, C94	4	1uF	CAP, CERM, 1 uF, 50 V, +/- 10%, X7R, 0603	0603	UMK107AB7105KA-T	Taiyo Yuden		
C3, C5, C11, C93, C95	5	0.1uF	CAP, CERM, 0.1 uF, 50 V, +/- 10%, X7R, 0603	0603	C0603C104K5RACTU	Kemet		
C6, C9, C15, C16, C97, C98, C104, C105, C106, C107	10	2.2uF	CAP, CERM, 2.2 uF, 16 V, +/- 10%, X7R, 0603	0603	EMK107BB7225KA-T	Taiyo Yuden		
C7, C13, C99, C101, C108, C110, C112, C114	8	1uF	CAP, CERM, 1 uF, 50 V, +/- 10%, X7R, 0805	0805	C0805C105K5RACTU	Kemet		
C8, C14, C100, C102, C109, C111, C113, C115	8	0.01uF	CAP, CERM, 0.01 uF, 50 V, +/- 10%, C0G/NP0, 0402	0402	GCM155R71H103KA55D	MuRata		
C17, C18, C56, C66, C67, C70, C73, C74, C75, C76, C85	11	0.1uF	CAP, CERM, 0.1 uF, 16 V, +/- 10%, X7R, AEC-Q200 Grade 1, 0402	0402	C0402C104K4RACAUTO	Kemet		
C19, C20, C21, C22, C23, C24, C25, C26, C27, C28, C29, C30, C31, C32, C33, C34, C35, C36, C37, C38, C39, C40, C41, C42, C43, C44, C45, C47, C49, C50, C51, C52, C53, C54, C55, C91	36	0.1uF	CAP, CERM, 0.1 uF, 50 V, +/- 10%, X7R, 0402	0402	C1005X7R1H104K050BB	TDK		
C46	1	2.2uF	CAP, CERM, 2.2 uF, 16 V, +/- 10%, X7R, 0603	0603	EMK107BB7225MA-T	Taiyo Yuden		
C48	1	470pF	CAP, CERM, 470 pF, 50 V, +/- 5%, C0G, AEC-Q200 Grade 1, 0402	0402	GRT1555C1H471JA02D	MuRata		

Designator	Quantity	Value	Description	Package Reference	PartNumber	Manufacturer	Alternate PartNumber	Alternate Manufacturer
C57, C60, C61, C62, C63	5	10pF	CAP, CERM, 10 pF, 50 V, +/- 5%, C0G/NP0, 0402	0402	885012005055	Wurth Elektronik		
C58, C59	2	18pF	CAP, CERM, 18 pF, 50 V, +/- 5%, C0G/NP0, 0603	0603	C0603C180J5GACTU	Kemet		
C64, C65	2	10uF	CAP, CERM, 10 uF, 10 V, +/- 20%, X5R, 0603	0603	C1608X5R1A106M080AC	TDK		
C68	1	4700pF	CAP, CERM, 4700 pF, 25 V,+/- 10%, X7R, 0402	0402	CC0402KRX7R8BB472	Yageo		
C69	1	0.068uF	CAP, CERM, 0.068 uF, 50 V, +/- 10%, X7R, AEC-Q200 Grade 1, 0402	0402	CGA2B3X7R1H683K050BB	TDK		
C71, C77, C88	3	1uF	CAP, CERM, 1 uF, 6.3 V, +/- 20%, X5R, 0402	0402	GRM152R60J105ME15D	MuRata		
C72	1	100pF	CAP, CERM, 100 pF, 50 V, +/- 5%, C0G/NP0, AEC-Q200 Grade 1, 0402	0402	CGA2B2C0G1H101J050BA	TDK		
C78	1	4.7uF	CAP, CERM, 4.7 uF, 50 V,+/- 10%, X7R, AEC-Q200 Grade 1, 1210	1210	C1210C475K5RACAUTO	Kemet		
C79	1	0.082uF	CAP, CERM, 0.082 uF, 50 V, +/- 10%, X7R, 0805	0805	08055C823KAT2A	AVX		
C80	1	2200pF	CAP, CERM, 2200 pF, 50 V, +/- 5%, C0G/NP0, 0805	0805	08055A222JAT2A	AVX		
C81	1	330uF	CAP, AL, 330 uF, 35 V, +/- 20%, AEC-Q200 Grade 1, TH	D10xL20mm	UBT1V331MPD1TD	Nichicon		
C83	1	10uF	CAP, CERM, 10 uF, 50 V,+/- 10%, X5R, 1206	1206	UMK316BBJ106KL-T	Taiyo Yuden		
C84	1	0.1uF	CAP, CERM, 0.1 uF, 50 V, +/- 5%, X7R, 0603	0603	C0603C104J5RACTU	Kemet		
C86	1	47uF	CAP, AL, 47 uF, 16 V, +/- 20%, 0.8 ohm, AEC-Q200 Grade 2, TH	D5xL11mm	EEU-FC1C470	Panasonic		
C87	1	1uF	CAP, CERM, 1 uF, 16 V,+/- 20%, X7R, 0603	0603	CL10B105MO8NNWC	Samsung		
C89, C90, C103	3	22uF	CAP, CERM, 22 uF, 10 V, +/- 20%, X5R, 0603	0603	C1608X5R1A226M080AC	TDK		
C92	1	0.01uF	CAP, CERM, 0.01 uF, 6.3 V,+/- 10%, X7R, 0402	0402	0402B103K6R3CT	Walsin		
D1	1	Yellow	LED, Yellow , SMD	0805 LED	LTST-C170KSKT	Lite-On		

Designator	Quantity	Value	Description	Package Reference	PartNumber	Manufacturer	Alternate PartNumber	Alternate Manufacturer
D2	1	Red	LED, Red, SMD	Red 0805 LED	LTST-C170KRKT	Lite-On		
D3, D4	2	Blue	LED, Blue, SMD	LED_0805	LTST-C170TBKT	Lite-On		
D5	1	Green	LED, Green, SMD	LED_0805	LTST-C170KGKT	Lite-On		
H1	1		Heat Sink for DKQ Packages, 41.4x20 mm	Heat Sink for DKQ Packages, 41.4x20 mm	HS-DKQ56_20X41.4X32.77	Any		
H2, H3, H4, H5	4		MACHINE SCREW PAN PHILLIPS M3	M3 Screw	RM3X8MM 2701	APM HEXSEAL		
H6, H7, H8, H9	4		Standoff, Hex, 12mm, M3, Aluminum	Aluminum M3 12mm Hex Standoff	24434	Keystone		
H10	1		Arctic Silver 5 Thermal Paste		ARCTIC SILVER 5	ARTIC SILVER, INC.		
J1	1		Terminal Block, 3.5mm, 8-Pos, TH	Terminal Block, 3.5mm, 8-Pos, TH	ED555/8DS	On-Shore Technology		
J2, J5, J6, J7, J8, J14	6		Header, 100mil, 3x1, Gold, TH	PBC03SAA N	PBC03SAAN	Sullins Connector Solutions		
J3	1		Connector, Receptacle, Micro-USB Type AB, R/A, Bottom Mount SMT	5.6x2.5x8.2 mm	475890001	Molex		
J4	1		Receptacle, 50mil, 6x1, Gold, R/A, TH	6x1 Receptacle	LPPB061NGCN-RC	Sullins Connector Solutions		
J10	1		Terminal Block, 3.5mm Pitch, 4x1, TH	14x8.2x6.5 mm	ED555/4DS	On-Shore Technology		
J13	1		Header, 100mil, 2x1, Gold, TH	Sullins 100mil, 1x2, 230 mil above insulator	PBC02SAAN	Sullins Connector Solutions		
L1, L2, L7, L8, L9, L10, L11, L12	8	3.3uH	Inductor, 3.3 uH, 4.5 A, 0.038 ohm, AEC-Q200 Grade 0, SMD	5.45x5.25x3.0mm	VCMT053T-3R3MN5	Cyntec		
L3	1	30 ohm	Ferrite Bead, 30 ohm @ 100 MHz, 6 A, 0805	0805	MPZ2012S300AT000	TDK		

Designator	Quantity	Value	Description	Package Reference	PartNumber	Manufacturer	Alternate PartNumber	Alternate Manufacturer
L4	1	1.5uH	Inductor, 1.5 uH, 5.5 A, 0.017 ohm, AEC-Q200 Grade 0, SMD	5.45x5.25x3.0mm	VCMT053T-1R5MN5	Cyntec		
L5	1	180 ohm	Ferrite Bead, 180 ohm @ 100 MHz, 3.4 A, 0806	0806	NFZ2MSM181SN10L	MuRata		
L6	1	2.2uH	Inductor, Multilayer, Ferrite, 2.2 uH, 1.3 A, 0.08 ohm, SMD	SMD, Body 2.5x2mm, Height 1.2mm	LQM2HPN2R2MG0L	MuRata		
Q1	1	40 V	Transistor, PNP, 40 V, 0.2 A, SOT-23	SOT-23	MMBT3906-7-F	Diodes Inc.		
R3, R5, R7, R9, R46, R48, R53, R55	8	4.99k	RES, 4.99 k, 1%, 0.063 W, AEC-Q200 Grade 0, 0402	0402	CRCW04024K99FKED	Vishay-Dale		
R6, R8	2	1.00k	RES, 1.00 k, 1%, 0.063 W, AEC-Q200 Grade 0, 0402	0402	CRCW04021K00FKED	Vishay-Dale		
R10	1	1.00k	RES, 1.00 k, 1%, 0.1 W, 0402	0402	ERJ-2RKF1001X	Panasonic		
R11, R12	2	2.20k	RES, 2.20 k, 1%, 0.1 W, 0402	0402	ERJ-2RKF2201X	Panasonic		
R13	1	4.75	RES, 4.75, 1%, 0.1 W, 0603	0603	RC0603FR-074R75L	Yageo		
R14, R21, R22, R23, R25, R28, R29, R30	8	33.2	RES, 33.2, 1%, 0.05 W, 0201	0201	RC0201FR-0733R2L	Yageo America		
R15, R16, R17, R18	4	47.0k	RES, 47.0 k, 1%, 0.0625 W, 0402	0402	RC0402FR-0747KL	Yageo America		
R19, R24	2	10.0k	RES, 10.0 k, 1%, 0.063 W, 0402	0402	RC0402FR-0710KL	Yageo America		
R20	1	680	RES, 680, 1%, 0.1 W, 0603	0603	RC0603FR-07680RL	Yageo		
R26	1	100k	RES, 100 k, 1%, 0.1 W, 0402	0402	ERJ-2RKF1003X	Panasonic		
R27	1	43.2	RES, 43.2, 1%, 0.1 W, 0603	0603	RC0603FR-0743R2L	Yageo		
R31	1	25.5k	RES, 25.5 k, 1%, 0.05 W, 0201	0201	RC0201FR-0725K5L	Yageo America		
R32, R33, R34	3	10.2k	RES, 10.2 k, 1%, 0.05 W, 0201	0201	RC0201FR-0710K2L	Yageo America		
R35	1	51.0k	RES, 51.0 k, 1%, 0.05 W, 0201	0201	RC0201FR-0751KL	Yageo America		
R36	1	0	RES, 0, 5%, 0.1 W, AEC-Q200 Grade 0, 0402	0402	ERJ-2GE0R00X	Panasonic		
R37, R38, R39, R40, R41, R42, R44, R45, R49	9	49.9	RES, 49.9, 1%, 0.063 W, AEC-Q200 Grade 0, 0402	0402	CRCW040249R9FKED	Vishay-Dale		
R43	1	470	RES, 470, 1%, 0.1 W, 0603	0603	RC0603FR-07470RL	Yageo		
R47	1	100	RES, 100, 1%, 0.1 W, 0402	0402	ERJ-2RKF1000X	Panasonic		

Designator	Quantity	Value	Description	Package Reference	PartNumber	Manufacturer	Alternate PartNumber	Alternate Manufacturer
R50	1	681	RES, 681, 1%, 0.063 W, AEC-Q200 Grade 0, 0402	0402	CRCW0402681RFKED	Vishay-Dale		
R51	1	100k	RES, 100 k, 1%, 0.063 W, AEC-Q200 Grade 0, 0402	0402	CRCW0402100KFKED	Vishay-Dale		
R54	1	10.0k	RES, 10.0 k, 1%, 0.063 W, AEC-Q200 Grade 0, 0402	0402	CRCW040210K0FKED	Vishay-Dale		
R57, R58	2	360	RES, 360, 5%, 0.063 W, AEC-Q200 Grade 0, 0402	0402	CRCW0402360RJNED	Vishay-Dale		
R59	1	66.5k	RES, 66.5 k, 1%, 0.1 W, 0603	0603	RC0603FR-0766K5L	Yageo		
R61	1	100k	RES, 100 k, 1%, 0.1 W, 0603	0603	RC0603FR-07100KL	Yageo		
S1, S2, S3, S4	4		Switch, SPDT, On-On, 1 Pos, 0.4A, 28 VDC, TH	5.6x5.4mm	FT1D-4M-Z	Copal Electronics		
SH1, SH2, SH3, SH4, SH5, SH6	6	1x2	Shunt, 100mil, Gold plated, Black	Shunt	SNT-100-BK-G	Samtec	969102-0000-DA	3M
U1	1		45-W, 2-MHz Digital Input 4-Channel Automotive Class-D Audio Amplifier with Load Dump Protection and I 2C Diagnostics	HSSOP56	TAS6424MSQDKQRQ1	Texas Instruments		
U2	1		IC MCU 512KB RAM, 128TQFP	TQFP-128	XEF216-512-TQ128-C20	XMOS semiconductor		
U3	1		OSC, 24 MHz, 2.25 - 3.63 V, SMD	2x1.6mm	ASTMLPA-24.000MHZ-EJ-E-T	Abracon Corporation		
U4	1		Dual-Bit Dual-Supply Bus Transceiver, DQE0008A, LARGE T&R	DQE0008A	SN74AVC2T244DQER	Texas Instruments		
U5	1		Programmable 1-PLL VCXO Clock Synthesizer with 2.5-V or 3.3-V LVCMOS Outputs, PW0014A (TSSOP-14)	PW0014A	CDCE913PWR	Texas Instruments	CDCE913PW	Texas Instruments
U6	1		Single-Channel Ultra-Small Adjustable Supervisory Circuit With Active-High Open-Drain Output, DRY0006A (USON-6)	DRY0006A	TPS3897ADRYR	Texas Instruments		
U7	1		Enhanced Product Dual Buffer/Driver with Open-Drain Output, DCK0006A (SOT-SC70-6)	DSF0006A	SN74LVC2G07DSFR	Texas Instruments		
U8	1		Photolink- Fiber Optic Receiver, TH	13.5x10x9.7 mm	PLR135/T10	Everlight		

Designator	Quantity	Value	Description	Package Reference	PartNumber	Manufacturer	Alternate PartNumber	Alternate Manufacturer
U9, U10, U11, U13	4		Single 2-Line to 1-Line Data Selector/Multiplexer, DCU0008A, LARGE T&R	DCU0008A	SN74LVC2G157DCUR	Texas Instruments	SN74LVC2G157DCUT	Texas Instruments
U12	1		Automotive Catalog 96-kHz 24-Bit Digital Audio Interface Receiver, 50 ps Jitter, 3.3V, -40 to 85 degC, 28-Pin TSSOP (PW), Green (RoHS & no Sb/Br)	PW0028A	DIR9001IPWQ1	Texas Instruments		
U14	1		5.5V, 4A, 16mΩ Automotive Load Switch With Adjustable Rise Time and Optional Quick Output Discharge, DSG0008B (WSON-8)	DSG0008B	TPS22965TDSGRQ1	Texas Instruments	TPS22965TDSGTQ1	Texas Instruments
U15	1		Single Output Automotive LDO, 500 mA, Fixed 3.3 V Output, 3.8 to 26 V Input, 3-pin PFM (KVU), -40 to 125 degC, Green (RoHS & no Sb/Br)	KVU0003A	TL760M33QKVURQ1	Texas Instruments		
U16	1		Single Output LDO, 400mA, Adj. (1.2 to 5.5V), Cap free, Low Noise, Reverse Current Protection, DBV0005A (SOT-23-5)	DBV0005A	TPS73618DBVR	Texas Instruments		
U17	1		1-A High Efficiency Step-Down Converter in SOT23-5 Package, DBV0005A, DBV0005A (SOT-5)	DBV0005A	TLV62568DBVR	Texas Instruments	TLV62568DBVT	Texas Instruments
Y1	1		Crystal, 12.288 MHz, 18pF, SMD	Crystal, 2.5x1x3.2mm	ABM8G-12.288MHZ-18-D2Y-T	Abracon Corporation		
J12	0		Header, 100mil, 2x1, Gold, TH	Sullins 100mil, 1x2, 230 mil above insulator	PBC02SAAN	Sullins Connector Solutions		
R2, R4, R52, R56	0	4.99k	RES, 4.99 k, 1%, 0.063 W, AEC-Q200 Grade 0, 0402	0402	CRCW04024K99FKED	Vishay-Dale		

## 5 Revision History

NOTE: Page numbers for previous revisions may differ from page numbers in the current version.

DATE	REVISION	NOTES
October 2020	*	Initial Release



## STANDARD TERMS FOR EVALUATION MODULES

1. *Delivery:* TI delivers TI evaluation boards, kits, or modules, including any accompanying demonstration software, components, and/or documentation which may be provided together or separately (collectively, an "EVM" or "EVMs") to the User ("User") in accordance with the terms set forth herein. User's acceptance of the EVM is expressly subject to the following terms.
  - 1.1 EVMs are intended solely for product or software developers for use in a research and development setting to facilitate feasibility evaluation, experimentation, or scientific analysis of TI semiconductor products. EVMs have no direct function and are not finished products. EVMs shall not be directly or indirectly assembled as a part or subassembly in any finished product. For clarification, any software or software tools provided with the EVM ("Software") shall not be subject to the terms and conditions set forth herein but rather shall be subject to the applicable terms that accompany such Software
  - 1.2 EVMs are not intended for consumer or household use. EVMs may not be sold, sublicensed, leased, rented, loaned, assigned, or otherwise distributed for commercial purposes by Users, in whole or in part, or used in any finished product or production system.
2. *Limited Warranty and Related Remedies/Disclaimers:*
  - 2.1 These terms do not apply to Software. The warranty, if any, for Software is covered in the applicable Software License Agreement.
  - 2.2 TI warrants that the TI EVM will conform to TI's published specifications for ninety (90) days after the date TI delivers such EVM to User. Notwithstanding the foregoing, TI shall not be liable for a nonconforming EVM if (a) the nonconformity was caused by neglect, misuse or mistreatment by an entity other than TI, including improper installation or testing, or for any EVMs that have been altered or modified in any way by an entity other than TI, (b) the nonconformity resulted from User's design, specifications or instructions for such EVMs or improper system design, or (c) User has not paid on time. Testing and other quality control techniques are used to the extent TI deems necessary. TI does not test all parameters of each EVM. User's claims against TI under this Section 2 are void if User fails to notify TI of any apparent defects in the EVMs within ten (10) business days after delivery, or of any hidden defects with ten (10) business days after the defect has been detected.
  - 2.3 TI's sole liability shall be at its option to repair or replace EVMs that fail to conform to the warranty set forth above, or credit User's account for such EVM. TI's liability under this warranty shall be limited to EVMs that are returned during the warranty period to the address designated by TI and that are determined by TI not to conform to such warranty. If TI elects to repair or replace such EVM, TI shall have a reasonable time to repair such EVM or provide replacements. Repaired EVMs shall be warranted for the remainder of the original warranty period. Replaced EVMs shall be warranted for a new full ninety (90) day warranty period.

### **WARNING**

**Evaluation Kits are intended solely for use by technically qualified, professional electronics experts who are familiar with the dangers and application risks associated with handling electrical mechanical components, systems, and subsystems.**

**User shall operate the Evaluation Kit within TI's recommended guidelines and any applicable legal or environmental requirements as well as reasonable and customary safeguards. Failure to set up and/or operate the Evaluation Kit within TI's recommended guidelines may result in personal injury or death or property damage. Proper set up entails following TI's instructions for electrical ratings of interface circuits such as input, output and electrical loads.**

**NOTE:**

**EXPOSURE TO ELECTROSTATIC DISCHARGE (ESD) MAY CAUSE DEGRADATION OR FAILURE OF THE EVALUATION KIT; TI RECOMMENDS STORAGE OF THE EVALUATION KIT IN A PROTECTIVE ESD BAG.**

### 3 Regulatory Notices:

#### 3.1 United States

##### 3.1.1 Notice applicable to EVMs not FCC-Approved:

**FCC NOTICE:** This kit is designed to allow product developers to evaluate electronic components, circuitry, or software associated with the kit to determine whether to incorporate such items in a finished product and software developers to write software applications for use with the end product. This kit is not a finished product and when assembled may not be resold or otherwise marketed unless all required FCC equipment authorizations are first obtained. Operation is subject to the condition that this product not cause harmful interference to licensed radio stations and that this product accept harmful interference. Unless the assembled kit is designed to operate under part 15, part 18 or part 95 of this chapter, the operator of the kit must operate under the authority of an FCC license holder or must secure an experimental authorization under part 5 of this chapter.

##### 3.1.2 For EVMs annotated as FCC – FEDERAL COMMUNICATIONS COMMISSION Part 15 Compliant:

#### **CAUTION**

This device complies with part 15 of the FCC Rules. Operation is subject to the following two conditions: (1) This device may not cause harmful interference, and (2) this device must accept any interference received, including interference that may cause undesired operation.

Changes or modifications not expressly approved by the party responsible for compliance could void the user's authority to operate the equipment.

#### **FCC Interference Statement for Class A EVM devices**

*NOTE: This equipment has been tested and found to comply with the limits for a Class A digital device, pursuant to part 15 of the FCC Rules. These limits are designed to provide reasonable protection against harmful interference when the equipment is operated in a commercial environment. This equipment generates, uses, and can radiate radio frequency energy and, if not installed and used in accordance with the instruction manual, may cause harmful interference to radio communications. Operation of this equipment in a residential area is likely to cause harmful interference in which case the user will be required to correct the interference at his own expense.*

#### **FCC Interference Statement for Class B EVM devices**

*NOTE: This equipment has been tested and found to comply with the limits for a Class B digital device, pursuant to part 15 of the FCC Rules. These limits are designed to provide reasonable protection against harmful interference in a residential installation. This equipment generates, uses and can radiate radio frequency energy and, if not installed and used in accordance with the instructions, may cause harmful interference to radio communications. However, there is no guarantee that interference will not occur in a particular installation. If this equipment does cause harmful interference to radio or television reception, which can be determined by turning the equipment off and on, the user is encouraged to try to correct the interference by one or more of the following measures:*

- Reorient or relocate the receiving antenna.
- Increase the separation between the equipment and receiver.
- Connect the equipment into an outlet on a circuit different from that to which the receiver is connected.
- Consult the dealer or an experienced radio/TV technician for help.

#### 3.2 Canada

##### 3.2.1 For EVMs issued with an Industry Canada Certificate of Conformance to RSS-210 or RSS-247

#### **Concerning EVMs Including Radio Transmitters:**

This device complies with Industry Canada license-exempt RSSs. Operation is subject to the following two conditions:

(1) this device may not cause interference, and (2) this device must accept any interference, including interference that may cause undesired operation of the device.

#### **Concernant les EVMs avec appareils radio:**

Le présent appareil est conforme aux CNR d'Industrie Canada applicables aux appareils radio exempts de licence. L'exploitation est autorisée aux deux conditions suivantes: (1) l'appareil ne doit pas produire de brouillage, et (2) l'utilisateur de l'appareil doit accepter tout brouillage radioélectrique subi, même si le brouillage est susceptible d'en compromettre le fonctionnement.

#### **Concerning EVMs Including Detachable Antennas:**

Under Industry Canada regulations, this radio transmitter may only operate using an antenna of a type and maximum (or lesser) gain approved for the transmitter by Industry Canada. To reduce potential radio interference to other users, the antenna type and its gain should be so chosen that the equivalent isotropically radiated power (e.i.r.p.) is not more than that necessary for successful communication. This radio transmitter has been approved by Industry Canada to operate with the antenna types listed in the user guide with the maximum permissible gain and required antenna impedance for each antenna type indicated. Antenna types not included in this list, having a gain greater than the maximum gain indicated for that type, are strictly prohibited for use with this device.

### Concernant les EVMs avec antennes détachables

Conformément à la réglementation d'Industrie Canada, le présent émetteur radio peut fonctionner avec une antenne d'un type et d'un gain maximal (ou inférieur) approuvé pour l'émetteur par Industrie Canada. Dans le but de réduire les risques de brouillage radioélectrique à l'intention des autres utilisateurs, il faut choisir le type d'antenne et son gain de sorte que la puissance isotrope rayonnée équivalente (p.i.r.e.) ne dépasse pas l'intensité nécessaire à l'établissement d'une communication satisfaisante. Le présent émetteur radio a été approuvé par Industrie Canada pour fonctionner avec les types d'antenne énumérés dans le manuel d'usage et ayant un gain admissible maximal et l'impédance requise pour chaque type d'antenne. Les types d'antenne non inclus dans cette liste, ou dont le gain est supérieur au gain maximal indiqué, sont strictement interdits pour l'exploitation de l'émetteur.

#### 3.3 Japan

3.3.1 *Notice for EVMs delivered in Japan:* Please see [http://www.tij.co.jp/lstds/ti\\_ja/general/eStore/notice\\_01.page](http://www.tij.co.jp/lstds/ti_ja/general/eStore/notice_01.page) 日本国内に輸入される評価用キット、ボードについては、次のところをご覧ください。  
[http://www.tij.co.jp/lstds/ti\\_ja/general/eStore/notice\\_01.page](http://www.tij.co.jp/lstds/ti_ja/general/eStore/notice_01.page)

3.3.2 *Notice for Users of EVMs Considered "Radio Frequency Products" in Japan:* EVMs entering Japan may not be certified by TI as conforming to Technical Regulations of Radio Law of Japan.

If User uses EVMs in Japan, not certified to Technical Regulations of Radio Law of Japan, User is required to follow the instructions set forth by Radio Law of Japan, which includes, but is not limited to, the instructions below with respect to EVMs (which for the avoidance of doubt are stated strictly for convenience and should be verified by User):

1. Use EVMs in a shielded room or any other test facility as defined in the notification #173 issued by Ministry of Internal Affairs and Communications on March 28, 2006, based on Sub-section 1.1 of Article 6 of the Ministry's Rule for Enforcement of Radio Law of Japan,
2. Use EVMs only after User obtains the license of Test Radio Station as provided in Radio Law of Japan with respect to EVMs, or
3. Use of EVMs only after User obtains the Technical Regulations Conformity Certification as provided in Radio Law of Japan with respect to EVMs. Also, do not transfer EVMs, unless User gives the same notice above to the transferee. Please note that if User does not follow the instructions above, User will be subject to penalties of Radio Law of Japan.

【無線電波を送信する製品の開発キットをお使いになる際の注意事項】 開発キットの中には技術基準適合証明を受けていないものがあります。技術適合証明を受けていないものご使用に際しては、電波法遵守のため、以下のいずれかの措置を取っていただく必要がありますのでご注意ください。

1. 電波法施行規則第6条第1項第1号に基づく平成18年3月28日総務省告示第173号で定められた電波暗室等の試験設備でご使用いただく。
2. 実験局の免許を取得後ご使用いただく。
3. 技術基準適合証明を取得後ご使用いただく。

なお、本製品は、上記の「ご使用にあたっての注意」を譲渡先、移転先に通知しない限り、譲渡、移転できないものとします。

上記を遵守頂けない場合は、電波法の罰則が適用される可能性があることをご留意ください。日本テキサス・インスツルメンツ株式会社  
東京都新宿区西新宿 6 丁目 2 4 番 1 号  
西新宿三井ビル

3.3.3 *Notice for EVMs for Power Line Communication:* Please see [http://www.tij.co.jp/lstds/ti\\_ja/general/eStore/notice\\_02.page](http://www.tij.co.jp/lstds/ti_ja/general/eStore/notice_02.page) 電力線搬送波通信についての開発キットをお使いになる際の注意事項については、次のところをご覧ください。  
[http://www.tij.co.jp/lstds/ti\\_ja/general/eStore/notice\\_02.page](http://www.tij.co.jp/lstds/ti_ja/general/eStore/notice_02.page)

#### 3.4 European Union

3.4.1 *For EVMs subject to EU Directive 2014/30/EU (Electromagnetic Compatibility Directive):*

This is a class A product intended for use in environments other than domestic environments that are connected to a low-voltage power-supply network that supplies buildings used for domestic purposes. In a domestic environment this product may cause radio interference in which case the user may be required to take adequate measures.

- 
- 4 *EVM Use Restrictions and Warnings:*
    - 4.1 EVMS ARE NOT FOR USE IN FUNCTIONAL SAFETY AND/OR SAFETY CRITICAL EVALUATIONS, INCLUDING BUT NOT LIMITED TO EVALUATIONS OF LIFE SUPPORT APPLICATIONS.
    - 4.2 User must read and apply the user guide and other available documentation provided by TI regarding the EVM prior to handling or using the EVM, including without limitation any warning or restriction notices. The notices contain important safety information related to, for example, temperatures and voltages.
    - 4.3 *Safety-Related Warnings and Restrictions:*
      - 4.3.1 User shall operate the EVM within TI's recommended specifications and environmental considerations stated in the user guide, other available documentation provided by TI, and any other applicable requirements and employ reasonable and customary safeguards. Exceeding the specified performance ratings and specifications (including but not limited to input and output voltage, current, power, and environmental ranges) for the EVM may cause personal injury or death, or property damage. If there are questions concerning performance ratings and specifications, User should contact a TI field representative prior to connecting interface electronics including input power and intended loads. Any loads applied outside of the specified output range may also result in unintended and/or inaccurate operation and/or possible permanent damage to the EVM and/or interface electronics. Please consult the EVM user guide prior to connecting any load to the EVM output. If there is uncertainty as to the load specification, please contact a TI field representative. During normal operation, even with the inputs and outputs kept within the specified allowable ranges, some circuit components may have elevated case temperatures. These components include but are not limited to linear regulators, switching transistors, pass transistors, current sense resistors, and heat sinks, which can be identified using the information in the associated documentation. When working with the EVM, please be aware that the EVM may become very warm.
      - 4.3.2 EVMs are intended solely for use by technically qualified, professional electronics experts who are familiar with the dangers and application risks associated with handling electrical mechanical components, systems, and subsystems. User assumes all responsibility and liability for proper and safe handling and use of the EVM by User or its employees, affiliates, contractors or designees. User assumes all responsibility and liability to ensure that any interfaces (electronic and/or mechanical) between the EVM and any human body are designed with suitable isolation and means to safely limit accessible leakage currents to minimize the risk of electrical shock hazard. User assumes all responsibility and liability for any improper or unsafe handling or use of the EVM by User or its employees, affiliates, contractors or designees.
    - 4.4 User assumes all responsibility and liability to determine whether the EVM is subject to any applicable international, federal, state, or local laws and regulations related to User's handling and use of the EVM and, if applicable, User assumes all responsibility and liability for compliance in all respects with such laws and regulations. User assumes all responsibility and liability for proper disposal and recycling of the EVM consistent with all applicable international, federal, state, and local requirements.
  5. *Accuracy of Information:* To the extent TI provides information on the availability and function of EVMs, TI attempts to be as accurate as possible. However, TI does not warrant the accuracy of EVM descriptions, EVM availability or other information on its websites as accurate, complete, reliable, current, or error-free.
  6. *Disclaimers:*
    - 6.1 EXCEPT AS SET FORTH ABOVE, EVMS AND ANY MATERIALS PROVIDED WITH THE EVM (INCLUDING, BUT NOT LIMITED TO, REFERENCE DESIGNS AND THE DESIGN OF THE EVM ITSELF) ARE PROVIDED "AS IS" AND "WITH ALL FAULTS." TI DISCLAIMS ALL OTHER WARRANTIES, EXPRESS OR IMPLIED, REGARDING SUCH ITEMS, INCLUDING BUT NOT LIMITED TO ANY EPIDEMIC FAILURE WARRANTY OR IMPLIED WARRANTIES OF MERCHANTABILITY OR FITNESS FOR A PARTICULAR PURPOSE OR NON-INFRINGEMENT OF ANY THIRD PARTY PATENTS, COPYRIGHTS, TRADE SECRETS OR OTHER INTELLECTUAL PROPERTY RIGHTS.
    - 6.2 EXCEPT FOR THE LIMITED RIGHT TO USE THE EVM SET FORTH HEREIN, NOTHING IN THESE TERMS SHALL BE CONSTRUED AS GRANTING OR CONFERRING ANY RIGHTS BY LICENSE, PATENT, OR ANY OTHER INDUSTRIAL OR INTELLECTUAL PROPERTY RIGHT OF TI, ITS SUPPLIERS/LICENSORS OR ANY OTHER THIRD PARTY, TO USE THE EVM IN ANY FINISHED END-USER OR READY-TO-USE FINAL PRODUCT, OR FOR ANY INVENTION, DISCOVERY OR IMPROVEMENT, REGARDLESS OF WHEN MADE, CONCEIVED OR ACQUIRED.
  7. *USER'S INDEMNITY OBLIGATIONS AND REPRESENTATIONS.* USER WILL DEFEND, INDEMNIFY AND HOLD TI, ITS LICENSORS AND THEIR REPRESENTATIVES HARMLESS FROM AND AGAINST ANY AND ALL CLAIMS, DAMAGES, LOSSES, EXPENSES, COSTS AND LIABILITIES (COLLECTIVELY, "CLAIMS") ARISING OUT OF OR IN CONNECTION WITH ANY HANDLING OR USE OF THE EVM THAT IS NOT IN ACCORDANCE WITH THESE TERMS. THIS OBLIGATION SHALL APPLY WHETHER CLAIMS ARISE UNDER STATUTE, REGULATION, OR THE LAW OF TORT, CONTRACT OR ANY OTHER LEGAL THEORY, AND EVEN IF THE EVM FAILS TO PERFORM AS DESCRIBED OR EXPECTED.

8. *Limitations on Damages and Liability:*

8.1 *General Limitations.* IN NO EVENT SHALL TI BE LIABLE FOR ANY SPECIAL, COLLATERAL, INDIRECT, PUNITIVE, INCIDENTAL, CONSEQUENTIAL, OR EXEMPLARY DAMAGES IN CONNECTION WITH OR ARISING OUT OF THESE TERMS OR THE USE OF THE EVMS , REGARDLESS OF WHETHER TI HAS BEEN ADVISED OF THE POSSIBILITY OF SUCH DAMAGES. EXCLUDED DAMAGES INCLUDE, BUT ARE NOT LIMITED TO, COST OF REMOVAL OR REINSTALLATION, ANCILLARY COSTS TO THE PROCUREMENT OF SUBSTITUTE GOODS OR SERVICES, RETESTING, OUTSIDE COMPUTER TIME, LABOR COSTS, LOSS OF GOODWILL, LOSS OF PROFITS, LOSS OF SAVINGS, LOSS OF USE, LOSS OF DATA, OR BUSINESS INTERRUPTION. NO CLAIM, SUIT OR ACTION SHALL BE BROUGHT AGAINST TI MORE THAN TWELVE (12) MONTHS AFTER THE EVENT THAT GAVE RISE TO THE CAUSE OF ACTION HAS OCCURRED.

8.2 *Specific Limitations.* IN NO EVENT SHALL TI'S AGGREGATE LIABILITY FROM ANY USE OF AN EVM PROVIDED HEREUNDER, INCLUDING FROM ANY WARRANTY, INDEMNITY OR OTHER OBLIGATION ARISING OUT OF OR IN CONNECTION WITH THESE TERMS, , EXCEED THE TOTAL AMOUNT PAID TO TI BY USER FOR THE PARTICULAR EVM(S) AT ISSUE DURING THE PRIOR TWELVE (12) MONTHS WITH RESPECT TO WHICH LOSSES OR DAMAGES ARE CLAIMED. THE EXISTENCE OF MORE THAN ONE CLAIM SHALL NOT ENLARGE OR EXTEND THIS LIMIT.

9. *Return Policy.* Except as otherwise provided, TI does not offer any refunds, returns, or exchanges. Furthermore, no return of EVM(s) will be accepted if the package has been opened and no return of the EVM(s) will be accepted if they are damaged or otherwise not in a resalable condition. If User feels it has been incorrectly charged for the EVM(s) it ordered or that delivery violates the applicable order, User should contact TI. All refunds will be made in full within thirty (30) working days from the return of the components(s), excluding any postage or packaging costs.

10. *Governing Law:* These terms and conditions shall be governed by and interpreted in accordance with the laws of the State of Texas, without reference to conflict-of-laws principles. User agrees that non-exclusive jurisdiction for any dispute arising out of or relating to these terms and conditions lies within courts located in the State of Texas and consents to venue in Dallas County, Texas. Notwithstanding the foregoing, any judgment may be enforced in any United States or foreign court, and TI may seek injunctive relief in any United States or foreign court.

Mailing Address: Texas Instruments, Post Office Box 655303, Dallas, Texas 75265  
Copyright © 2019, Texas Instruments Incorporated

## IMPORTANT NOTICE AND DISCLAIMER

TI PROVIDES TECHNICAL AND RELIABILITY DATA (INCLUDING DATASHEETS), DESIGN RESOURCES (INCLUDING REFERENCE DESIGNS), APPLICATION OR OTHER DESIGN ADVICE, WEB TOOLS, SAFETY INFORMATION, AND OTHER RESOURCES "AS IS" AND WITH ALL FAULTS, AND DISCLAIMS ALL WARRANTIES, EXPRESS AND IMPLIED, INCLUDING WITHOUT LIMITATION ANY IMPLIED WARRANTIES OF MERCHANTABILITY, FITNESS FOR A PARTICULAR PURPOSE OR NON-INFRINGEMENT OF THIRD PARTY INTELLECTUAL PROPERTY RIGHTS.

These resources are intended for skilled developers designing with TI products. You are solely responsible for (1) selecting the appropriate TI products for your application, (2) designing, validating and testing your application, and (3) ensuring your application meets applicable standards, and any other safety, security, or other requirements. These resources are subject to change without notice. TI grants you permission to use these resources only for development of an application that uses the TI products described in the resource. Other reproduction and display of these resources is prohibited. No license is granted to any other TI intellectual property right or to any third party intellectual property right. TI disclaims responsibility for, and you will fully indemnify TI and its representatives against, any claims, damages, costs, losses, and liabilities arising out of your use of these resources.

TI's products are provided subject to TI's Terms of Sale ([www.ti.com/legal/termsofsale.html](http://www.ti.com/legal/termsofsale.html)) or other applicable terms available either on [ti.com](http://ti.com) or provided in conjunction with such TI products. TI's provision of these resources does not expand or otherwise alter TI's applicable warranties or warranty disclaimers for TI products.

Mailing Address: Texas Instruments, Post Office Box 655303, Dallas, Texas 75265  
Copyright © 2020, Texas Instruments Incorporated